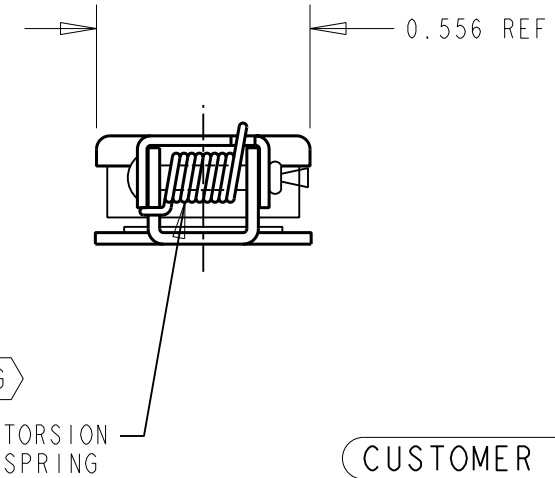
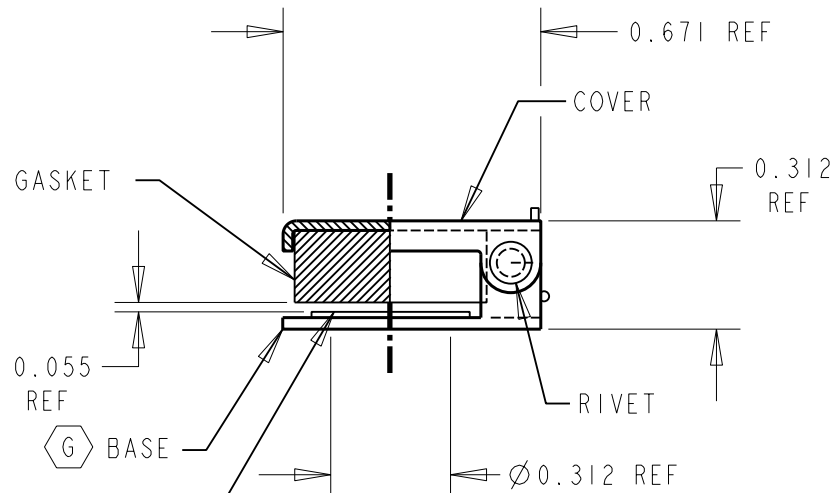


NOTES:

1. COVER & BASE - STEEL
 -FINISH - MIL-F-14072 (SIG.-C)
 -BASIC FINISH#P-211 TYPE EXPOSURE 1
 -FINAL FINISH PER TT-E-529 ENAMEL
 SYNTHETIC SEMI-GLOSS BLACK PER -A1
2. GASKET - SYNTHETIC RUBBER
3. TORSION SPRING - STAINLESS STEEL
4. RIVET - STAINLESS STEEL
5. RIVET WASHER - BRASS.
6. ACCESSORY WASHER - STEEL, NICKEL PLATE

(G)



CUSTOMER DRAWING

(G) ACCESSORY WASHER
(SHIPPED UNASSEMBLED)

★ STAR SYMBOL DENOTES CRITICAL DIMENSION

THIS DRAWING DESCRIBES A DESIGN CONSIDERED PROPRIETARY IN NATURE, DEVELOPED AND MANUFACTURED BY SWITCHCRAFT INC. AND IS RELEASED ON A CONFIDENTIAL BASIS FOR IDENTIFICATION PURPOSES ONLY.

UNLESS OTHERWISE SPECIFIED

SIZE	WIDTH	MULT	LBS/M	TEMPER
------	-------	------	-------	--------

1. ALL DIMENSIONS IN INCHES
 - TWO PLACE DECIMALS ±0.01
 - THREE PLACE DECIMALS ±0.005
 - ANGLES ±1°
 - ALL DIA. CONCENTRIC WITHIN 0.005 T.I.R.

FINISH	MATERIAL
SPEC No.	SPEC No.

FIRST USED ON	SCALE
	2 : 1

Switchcraft®

G	23140	4-20-00	DA	DK
F	ECO #22434	10-29-98	RC	JF
REV	ECO NUMBER	DATE	BY	APVD

DATE DRAWN	BY	CHKD	APVD
3-21-88	EB	JF 8-3-90	DLV 8-3-90

SHEET | OF |

REVISIONS

DO NOT SCALE DRAWING

NAME	PART No.	REV
TIP JAX COVER ASS'Y BLACK	2C1072	G