

## Thyristor – Diode Module

## Features

- Improved glass passivation for high reliability
- Exceptional stability at high temperatures
- High di/dt and dv/dt capabilities
- Low thermal resistance

Maximum Ratings ( $T_A = 25^\circ\text{C}$  unless otherwise noted)

Parameter	Symbol	Values	Units
Maximum average forward current @ $T_J = 85^\circ\text{C}$	$I_{F(AV)}$	56	A
Maximum average RMS forward current	$I_{F(RMS)}$	130	A
Maximum non-repetitive surge current @ $t = 10\text{ms}$	$I_{FSM}$	1300	A
Maximum $I^2t$ for fusing @ $t = 10\text{ms}$	$I^2t$	8000	$\text{A}^2\text{s}$



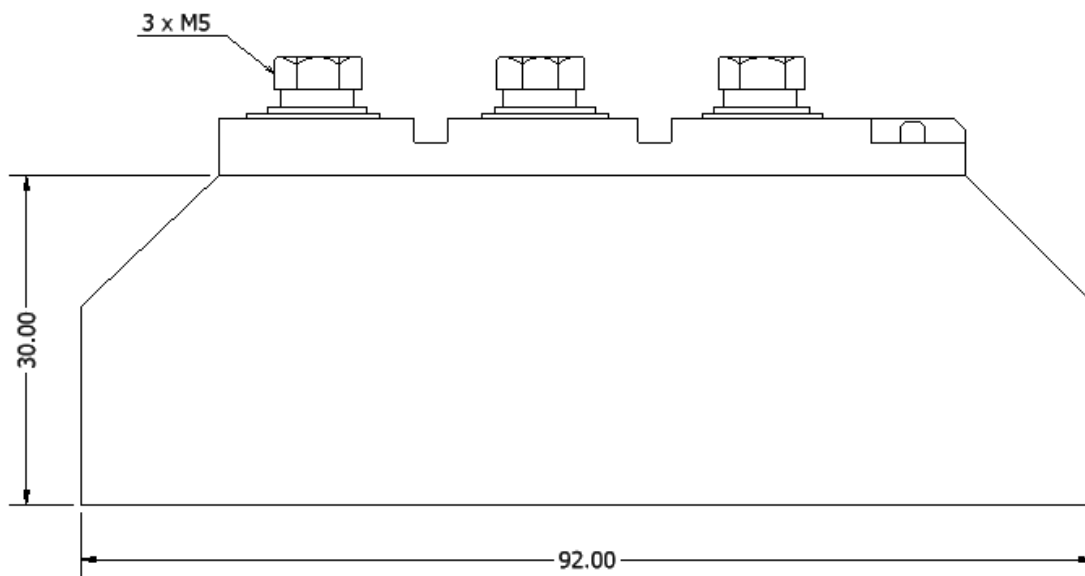
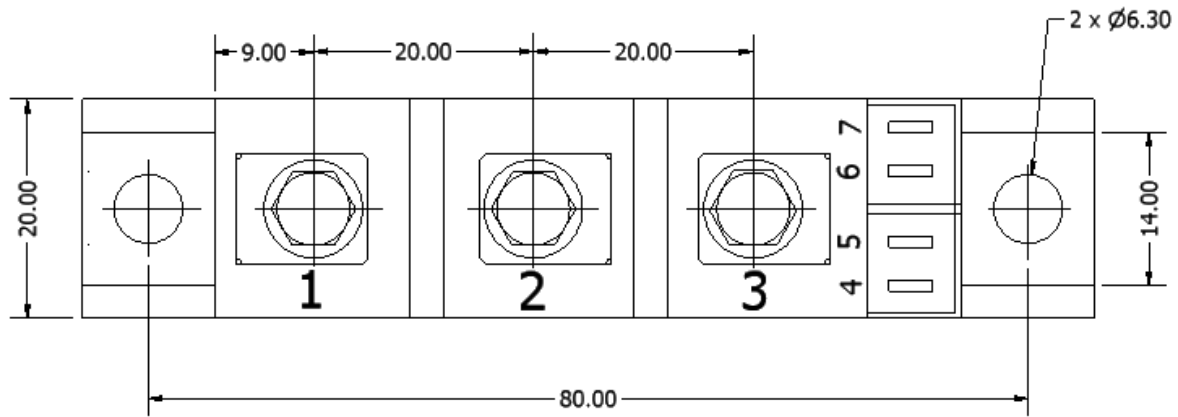
M1 PACKAGE

Thermal & Mechanical Specifications ( $T_A = 25^\circ\text{C}$  unless otherwise noted)

Parameter	Symbol	Values	Units
Operating junction temperature range	$T_J$	-65 to +125	$^\circ\text{C}$
Thermal resistance, junction to case	$R_{th(JC)}$	0.55	$^\circ\text{C}/\text{W}$

Electrical Characteristics ( $T_A = 25^\circ\text{C}$  unless otherwise noted)

Parameter	Symbol	Values	Units
Maximum average on-state current	$I_{T(max)}$	56	A
Maximum repetitive peak reverse voltage range	$V_{RRM}$	200 to 1600	V
Forward voltage drop	$V_{FM}$	1.2	V
Gate current required to trigger	$I_{GT}$	100	A
Gate voltage required to trigger	$V_{GT}$	2	V
Holding current range	$I_H$	5 to 100	mA
Maximum latching current	$I_L$	400	mA
Critical rate of rise of off-state voltage	dv/dt	300	$\text{V}/\mu\text{s}$
RMS isolated voltage	$V_{ISO}$	2500	V



ALL DIMENSIONS ARE IN MM

## Diode Configuration

