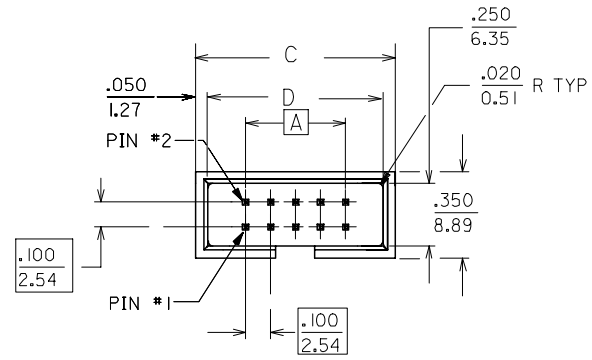
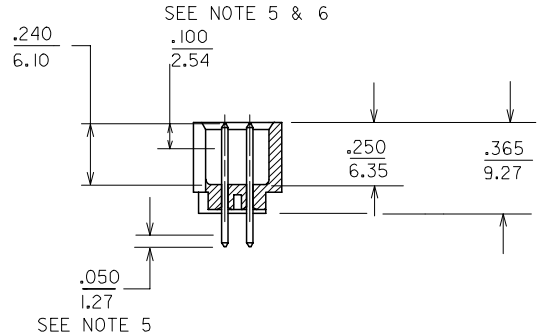
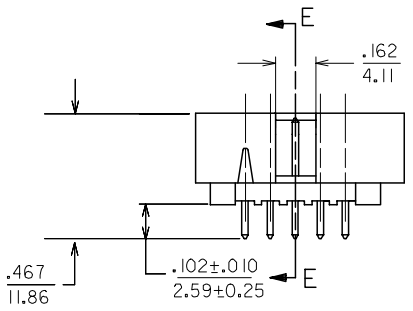
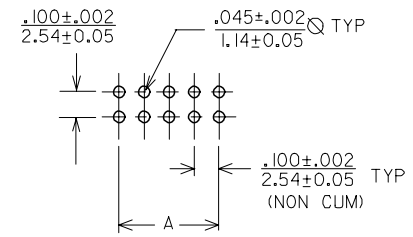


CKT SIZE	A	B	C	D
34	1.600/40.64	1.880/47.75	2.000/50.80	1.900/48.26

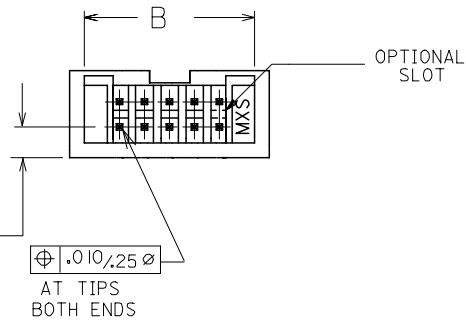


RECOMMENDED P.C. BOARD HOLE LAYOUT



- NOTES:
- PIN PUSHOUT FORCE (.9072KG)/2LBS MIN.
 - PIN SOLDERABILITY PER MOLEX SPEC. ES-152
 - PRODUCT SPEC: PS-70246 APPLIES.
 - WAFER TO BE FLAT WITHIN (0.03MM/CM) 0.003IN/IN
 - MEASURE POINT FOR PLATING THICKNESS
 - GOLD END OF PIN UNLESS OVERALL PLATED.
 - FINISH : (50uIn MIN NICKEL UNDERPLATE OVERALL.)
15uIn MIN AU & 75uIn MIN TIN IN SELECTED AREAS.

SECTION E-E



A-70246-***
 CKT SIZE
 ASSEMBLY TYPE

OBS TIN/LEAD P/N	DRWN:MLONG	2006/04/17
EC NO: S2006-0952	CHKD:NAGESHKN	2006/04/18
APPR:PTLIM		2006/04/21
REV	DESCRIPTION	
D		

QUALITY SYMBOLS	GENERAL TOLERANCES (UNLESS SPECIFIED)
▽=0	mm
▽=0	INCH
	4 PLACES ± --- ± ---
	3 PLACES ± --- ± .008
	2 PLACES ± 0.20 ± ---
	1 PLACE ± --- ± ---
	ANGULAR ± 3 °
	DRAFT WHERE APPLICABLE MUST REMAIN WITHIN DIMENSIONS

DIMENSION STYLE	SCALE	DESIGN UNITS	THIRD ANGLE PROJECTION
IN/MM	NTS	METRIC	
DRAWN BY	DATE	TITLE	
MLA1	1992/09/04	C-GRID, SHROUDED HEADER (WINDOW W/O END SLOTS)	
CHECKED BY	DATE		
ANG	1992/09/04		
APPROVED BY	DATE		
JOEY	1992/09/04	MOLEX INCORPORATED	
MATERIAL NO.	DOCUMENT NO.		SHEET NO.
70246-3483	SD-70246-**73		1 OF 1
THIS DRAWING CONTAINS INFORMATION THAT IS PROPRIETARY TO MOLEX INCORPORATED AND SHOULD NOT BE USED WITHOUT WRITTEN PERMISSION			