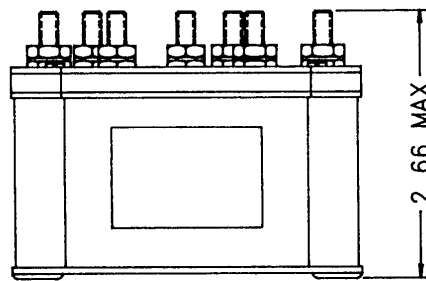
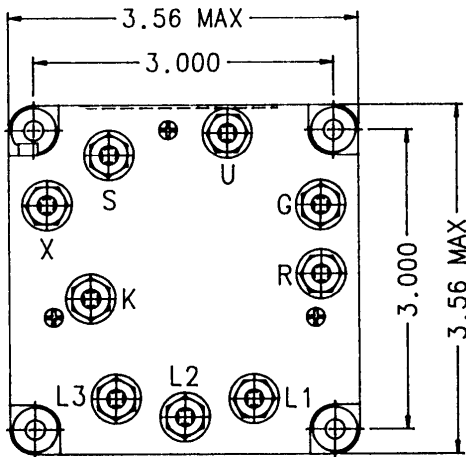


E-312P SPDT, 5 Amps, 28 VDC



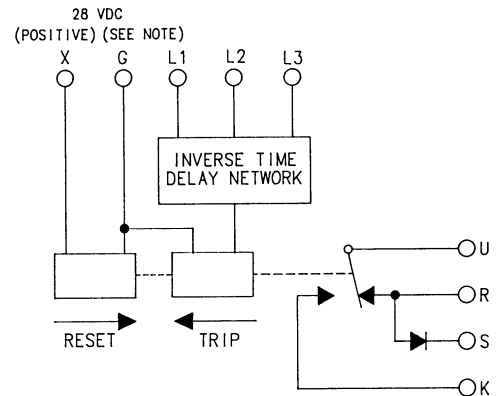
Features:

- SPDT Main Contacts
- 400 Hz Overvoltage Sensing
- 28 VDC
- 5 Amps
- High Reliability
- Meets many requirements of MIL-R-6106
- Light Weight Construction



Dimensions for this product are expressed in inches. Multiply values by 25.4 for millimeters.

CONTACTOR CONFIGURATION



Notes:

PRODUCT SPECIFICATIONS

Nominal System Voltage	115 /200V, 400 Hz, Continuous Duty
Trip Point All Conditions	130 ±3 Volts
Relay	SPDT
Relay Contact Rating	5 Amps, 28 VDC
Weight Maximum	1 Lb. 2 Oz.

For factory-direct application assistance, contact the HARTMAN product team at (419) 521-9500, Fax (419) 526-2749.

© 2004 by Tyco Electronics Corporation. All Rights Reserved. HARTMAN and TYCO are trademarks.