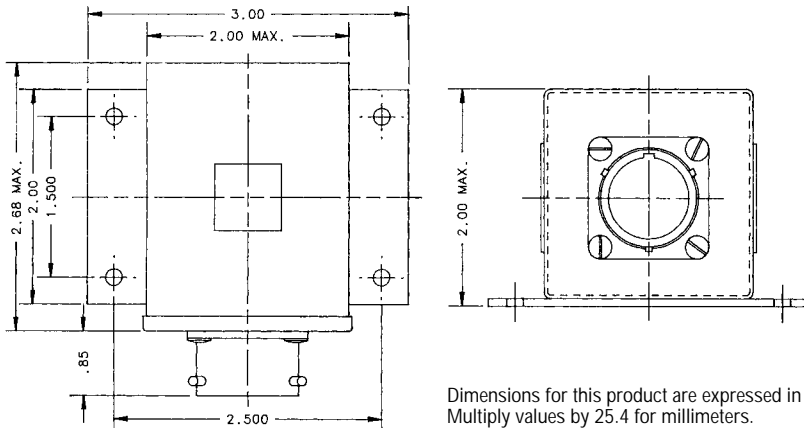


E-329E 3PDT, 10 Amps, 115 VAC



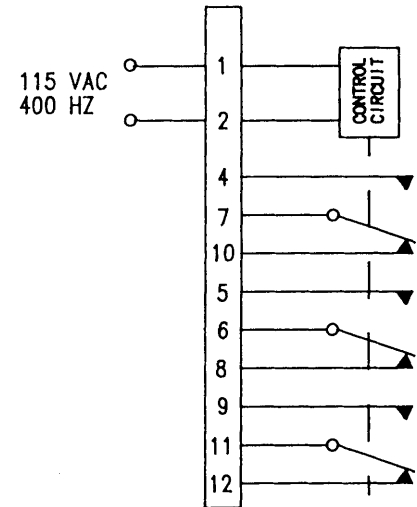
Features:

- 3PDT Main Contacts
- Drop-Out Time Delay
- 115 VAC
- 10 Amps
- High Reliability
- Meets many requirements of MIL-R-6106
- Light Weight Construction



Dimensions for this product are expressed in inches. Multiply values by 25.4 for millimeters.

CONTACTOR CONFIGURATION



Notes:

PRODUCT SPECIFICATIONS	
Electrical: Contact Form Contact Rating (Amps/Pole at 155 VAC & 28 VDC) Contact Life Contact Bounce Duty Cycle Nominal Operating Voltage Maximum Operating Voltage Operating Frequency Pick-Up Voltage Pick-Up Time Drop-Out Voltage Drop-Out Time Delay Input Voltage Transients Operating Current Dielectric Withstanding Voltage Insulation Resistance	3PDT Resistive Inductive Motor Lamp 10 8 4 2 100,000 Operating, Minimum at Rated Resistive Load 3 Milliseconds Maximum Continuous 115 VAC, RMS L-N 122 VAC, RMS L-N 400 ±20 Hz 109 ±2 VRMS 70 Milliseconds Maximum 104 ±2 VRMS 200-400 milliseconds when the relay is in the energized position and the voltage drops below 104 ±2 VRMS and above 88 ±4 VRMS. The relay will remain energized for 200-400 milliseconds before de-energizing. When the voltage drops below 88 ±4 VRMS, no time delay is required. When the voltage drops to 30 volts or less, the relay will de-energize in 50 milliseconds max. Per MIL-STD-704A 100 Milliamps Maximum at 25°C 1000 VRMS, 60 Hz 1000 MegOhms Minimum at 500 VDC
Environmental: Ambient Temperature Shock Acceleration Altitude	-55°C to +85°C (Operating) -55°C to +125°C (Non-Operating) 30 G'S, 11 Milliseconds, 1/2 SINE, 3 Axes 20 G'S in Any Axis 0 to 80,000 Feet
Mechanical: Weight Maximum Construction Seal	10 Oz. Aluminum Metal Can, Mounting Flanges and Cover, Solder Sealed Cover, Hermetic Sealed Contacts

For factory-direct application assistance, contact the HARTMAN product team at (419) 521-9500, Fax (419) 526-2749.

© 2004 by Tyco Electronics Corporation. All Rights Reserved. HARTMAN and TYCO are trademarks.