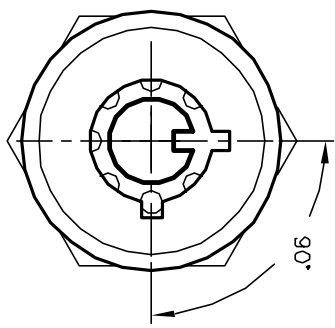
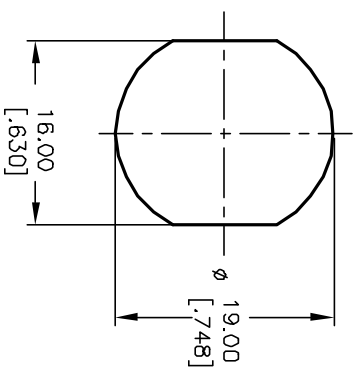
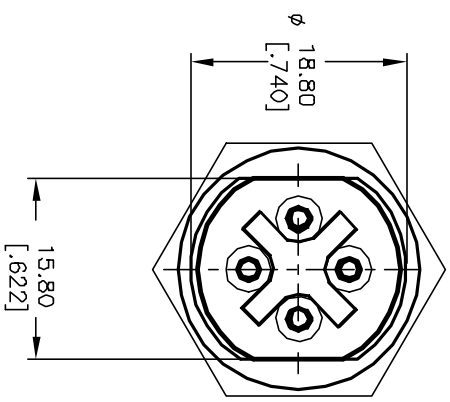
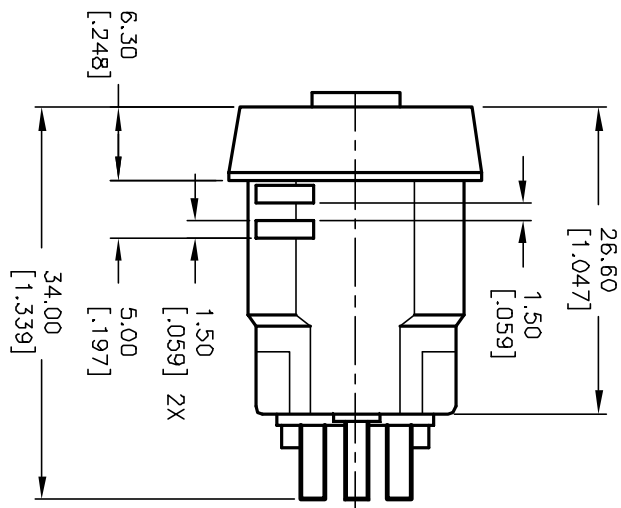


POS 1



POS 2



CIRCUIT: SPDT
CONTACT CONFIGURATION

| SWITCH FUNCTION | |
|-----------------|-------|
| POS 1 | POS 2 |
| ↶ | ↷ |
| DN | DN |

LEGEND

- =OFF POSITION
- =INDICATES KEY PULL
- ⊗ =INDICATES NO KEY PULL

RECOMMENDED PANEL CUTOUT

NOTES:

1. ALL DIMENSIONS IN MM [INCH]
2. GENERAL TOLERANCE: X.X=±0.4
X.XX=±0.25
3. TERM. NOS. FOR REFERENCE ONLY.
4. RATING: 2A @125VAC, 1A @250VAC
5. CONTACT RESISTANCE: 10mILLI-OHMS max.
6. DIELECTRIC STRENGTH: 1000 VAC-1Minute
7. INSULATION RESISTANCE: 200Mega OHMS min.
8. MATERIALS:

HOUSING: ZINC ALLOY DIE CAST, SATINE CHROME PLATING
CYLINDER: ZINC ALLOY W/SATIN CHROME PLATING
TERMINAL AND CONTACTS: SILVER PLATED
KEYS (2) KEY CODE 10001:
TUBULAR STEEL, NICKLE PLATING

| REV. | ECN No. | DESCRIPTION | DATE | CHKD |
|------|---------|-------------------------|----------|------|
| A | 11737 | RELEASED FOR PRODUCTION | 10/12/01 | CJB |

| TITLE | SCALE | DATE | DR | DWG | REV |
|--------------|-------|----------|-----|---------|-----|
| K0124C-10001 | 1.5:1 | 10/12/01 | CJB | K500105 | A |



THE INFORMATION CONTAINED IN THIS DOCUMENT IS PROPRIETARY TO E-SWITCH AND IS NOT TO BE COPIED OR TRANSFERRED