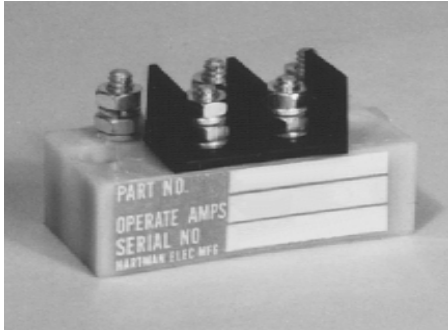
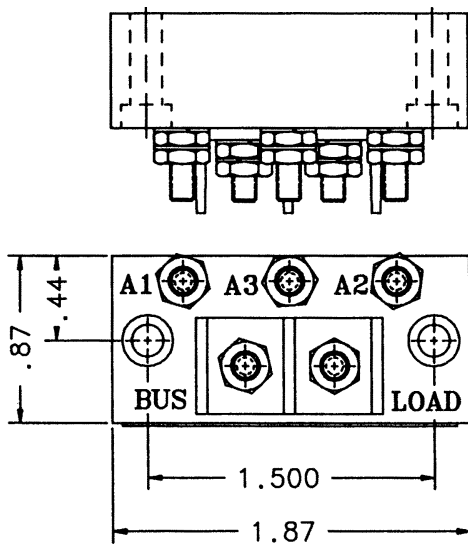


**Q-50B SPDT, .25 Amp, 28 VDC**

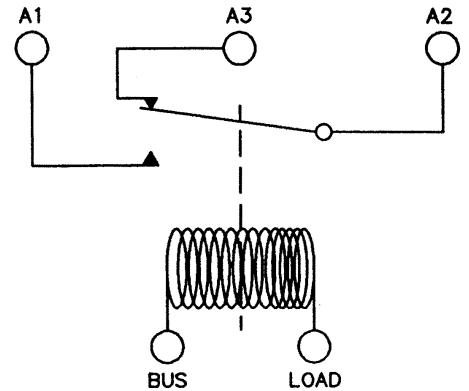


**Features:**

- SPDT Main Contacts
- Current Indicator
- Epoxy Encapsulated
- 28 VDC
- .25 Amp
- High Reliability
- Meets many requirements of MIL-R-6106



**CONTACTOR CONFIGURATION**



**Notes:**

Dimensions for this product are expressed in inches.  
Multiply values by 25.4 for millimeters.

PRODUCT SPECIFICATIONS	
Operating Characteristics	
Pick-Up	8 Amps DC Maximum
Drop-Out	4 Amps Minimum
Continuous	15 Amps DC Maximum
Contact Rating	.25 Amp 28 VDC
Lamp Load	.080 Amp 28 VDC
Vibration	10 G'S to 500 Hz
Altitude	60,000 Feet Maximum
Temperature	-35°C to +71°C
Weight Maximum	1.25 Oz.

For factory-direct application assistance, contact the HARTMAN product team at (419) 521-9500, Fax (419) 526-2749.

© 2004 by Tyco Electronics Corporation. All Rights Reserved.  
HARTMAN and TYCO are trademarks.