

TOSHIBA

TOSHIBA Original CMOS 8-Bit Microcontroller

TLCS-870 Series

TMP87PH46NG

Not Recommended
for New Design

TOSHIBA CORPORATION

Semiconductor Company

Document Change Notification

The purpose of this notification is to inform customers about the launch of the Pb-free version of the device. The introduction of a Pb-free replacement affects the datasheet. Please understand that this notification is intended as a temporary substitute for a revision of the datasheet.

Changes to the datasheet may include the following, though not all of them may apply to this particular device.

1. Part number

Example: TMPxxxxxF TMPxxxxxFG

All references to the previous part number were left unchanged in body text. The new part number is indicated on the prelims pages (cover page and this notification).

2. Package code and package dimensions

Example: LQFP100-P-1414-0.50C LQFP100-P-1414-0.50F

All references to the previous package code and package dimensions were left unchanged in body text. The new ones are indicated on the prelims pages.

3. Addition of notes on lead solderability

Now that the device is Pb-free, notes on lead solderability have been added.

4. RESTRICTIONS ON PRODUCT USE

The previous (obsolete) provision might be left unchanged on page 1 of body text. A new replacement is included on the next page.

5. Publication date of the datasheet

The publication date at the lower right corner of the prelims pages applies to the new device.

1. Part number
2. Package code and dimensions

Previous Part Number (in Body Text)	Previous Package Code (in Body Text)	New Part Number	New Package Code	OTP
TMP87PH46N	SDIP42-P-600-1.78	TMP87PH46NG	SDIP42-P-600-1.78	—

*: For the dimensions of the new package, see the attached Package Dimensions diagram.

3. Addition of notes on lead solderability

The following solderability test is conducted on the new device.

Lead solderability of Pb-free devices (with the G suffix)

Test	Test Conditions	Remark
Solderability	(1) Use of Lead (Pb) ·solder bath temperature = 230°C ·dipping time = 5 seconds ·the number of times = once ·use of R-type flux (2) Use of Lead (Pb)-Free ·solder bath temperature = 245°C ·dipping time = 5 seconds ·the number of times = once ·use of R-type flux	Leads with over 95% solder coverage till lead forming are acceptable.

4. RESTRICTIONS ON PRODUCT USE

The following replaces the “RESTRICTIONS ON PRODUCT USE” on page 1 of body text.

RESTRICTIONS ON PRODUCT USE

20070701-EN

- The information contained herein is subject to change without notice.
- TOSHIBA is continually working to improve the quality and reliability of its products. Nevertheless, semiconductor devices in general can malfunction or fail due to their inherent electrical sensitivity and vulnerability to physical stress. It is the responsibility of the buyer, when utilizing TOSHIBA products, to comply with the standards of safety in making a safe design for the entire system, and to avoid situations in which a malfunction or failure of such TOSHIBA products could cause loss of human life, bodily injury or damage to property. In developing your designs, please ensure that TOSHIBA products are used within specified operating ranges as set forth in the most recent TOSHIBA products specifications. Also, please keep in mind the precautions and conditions set forth in the “Handling Guide for Semiconductor Devices,” or “TOSHIBA Semiconductor Reliability Handbook” etc.
- The TOSHIBA products listed in this document are intended for usage in general electronics applications (computer, personal equipment, office equipment, measuring equipment, industrial robotics, domestic appliances, etc.). These TOSHIBA products are neither intended nor warranted for usage in equipment that requires extraordinarily high quality and/or reliability or a malfunction or failure of which may cause loss of human life or bodily injury (“Unintended Usage”). Unintended Usage include atomic energy control instruments, airplane or spaceship instruments, transportation instruments, traffic signal instruments, combustion control instruments, medical instruments, all types of safety devices, etc.. Unintended Usage of TOSHIBA products listed in this document shall be made at the customer’s own risk.
- The products described in this document shall not be used or embedded to any downstream products of which manufacture, use and/or sale are prohibited under any applicable laws and regulations.
- The information contained herein is presented only as a guide for the applications of our products. No responsibility is assumed by TOSHIBA for any infringements of patents or other rights of the third parties which may result from its use. No license is granted by implication or otherwise under any patents or other rights of TOSHIBA or the third parties.
- Please contact your sales representative for product-by-product details in this document regarding RoHS compatibility. Please use these products in this document in compliance with all applicable laws and regulations that regulate the inclusion or use of controlled substances. Toshiba assumes no liability for damage or losses occurring as a result of noncompliance with applicable laws and regulations.
- For a discussion of how the reliability of microcontrollers can be predicted, please refer to Section 1.3 of the chapter entitled Quality and Reliability Assurance/Handling Precautions.

5. Publication date of the datasheet

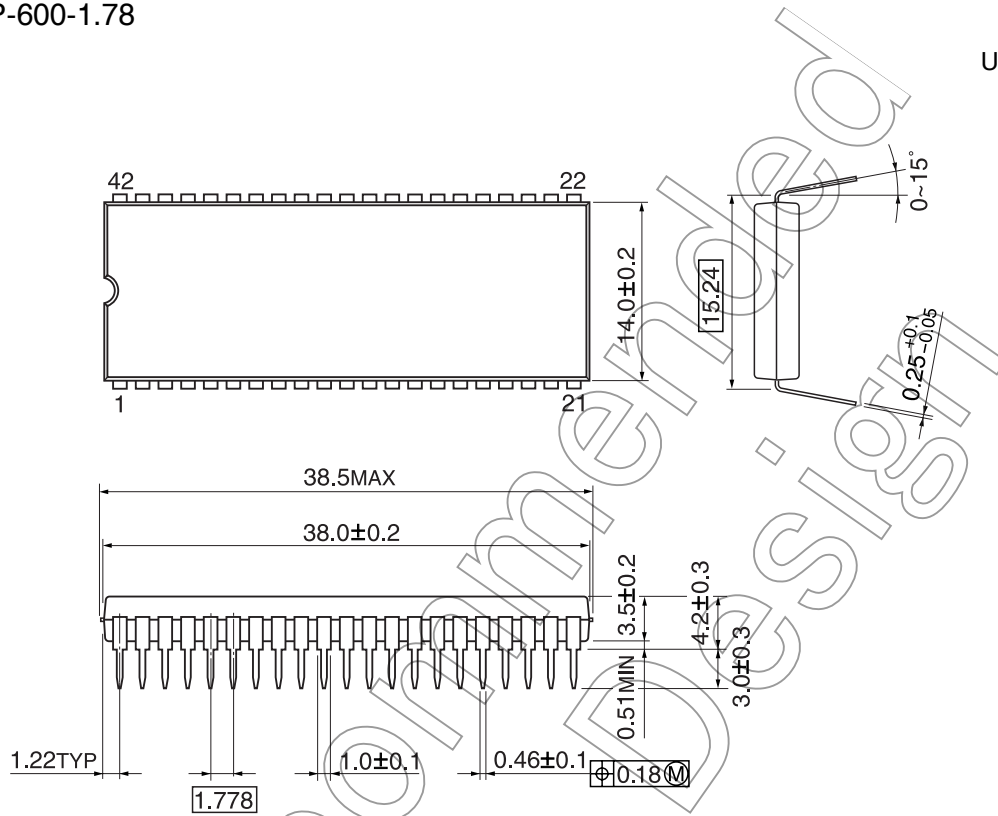
The publication date of this datasheet is printed at the lower right corner of this notification.

(Annex)

Package Dimensions

SDIP42-P-600-1.78

Unit: mm



Not Recommended for New Design

CMOS 8-Bit Microcontroller

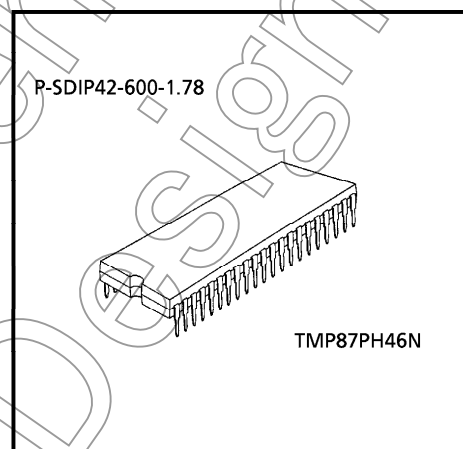
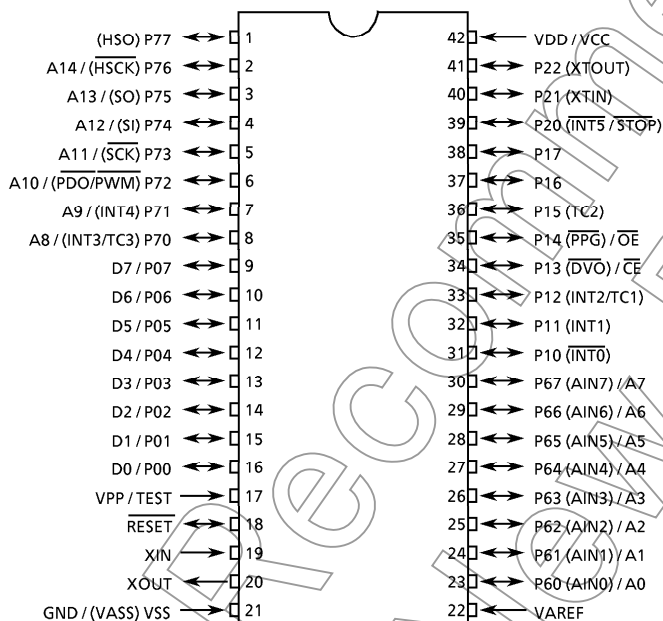
TMP87PH46N

The 87PH46 is a One-Time PROM microcontroller with low-power 128 K bits (16 Kbytes) electrically programmable read only memory for the 87C446/846/H46 system evaluation. The 87PH46 is pin compatible with the 87C446/846/H46. The operations possible with the 87C446/846/H46 can be performed by writing programs to PROM. The 87PH46 can write and verify in the same way as the TMM27256AD using an adaptor socket BM1193 and an EPROM programmer.

Part No	OTP	RAM	Package	Adaptor socket
TMP87PH46N	16 K x 8-bit	512 x 8-bit	P-SDIP42-600-1.78	BM1193

Pin Assignments (Top View)

P-SDIP42-600-1.78



030619EBP1

- The information contained herein is subject to change without notice.
- The information contained herein is presented only as a guide for the applications of our products. No responsibility is assumed by TOSHIBA for any infringements of patents or other rights of the third parties which may result from its use. No license is granted by implication or otherwise under any patent or patent rights of TOSHIBA or others.
- TOSHIBA is continually working to improve the quality and reliability of its products. Nevertheless, semiconductor devices in general can malfunction or fail due to their inherent electrical sensitivity and vulnerability to physical stress. It is the responsibility of the buyer, when utilizing TOSHIBA products, to comply with the standards of safety in making a safe design for the entire system, and to avoid situations in which a malfunction or failure of such TOSHIBA products could cause loss of human life, bodily injury or damage to property. In developing your designs, please ensure that TOSHIBA products are used within specified operating ranges as set forth in the most recent TOSHIBA products specifications. Also, please keep in mind the precautions and conditions set forth in the "Handling Guide for Semiconductor Devices," or "TOSHIBA Semiconductor Reliability Handbook" etc..
- The TOSHIBA products listed in this document are intended for usage in general electronics applications (computer, personal equipment, office equipment, measuring equipment, industrial robotics, domestic appliances, etc.). These TOSHIBA products are neither intended nor warranted for usage in equipment that requires extraordinarily high quality and/or reliability or a malfunction or failure of which may cause loss of human life or bodily injury ("Unintended Usage"). Unintended Usage include atomic energy control instruments, airplane or spaceship instruments, transportation instruments, traffic signal instruments, combustion control instruments, medical instruments, all types of safety devices, etc.. Unintended Usage of TOSHIBA products listed in this document shall be made at the customer's own risk.
- The products described in this document are subject to the foreign exchange and foreign trade laws.
- TOSHIBA products should not be embedded to the downstream products which are prohibited to be produced and sold, under any law and regulations.
- For a discussion of how the reliability of microcontrollers can be predicted, please refer to Section 1.3 of the chapter entitled Quality and Reliability Assurance/Handling Precautions.

Pin Function

The 87PH46 has two modes: MCU and PROM.

(1) MCU mode

In this mode, the 87PH46 is pin compatible with the 87C446/846/H46L (fix the TEST pin at low level).

(2) PROM mode

Pin Name (PROM mode)	Input/Output	Functions	Pin Name (MCU mode)
A14 to A8	Input	PROM address inputs	P76 to P70
A7 to A0			P67 to P60
D7 to D0	I/O	PROM data input/outputs	P07 to P00
CE	Input	Chip enable signal input (active low)	P13
OE		Output enable signal input (active low)	P14
VPP	Power supply	+ 12.5 V / 5 V (Program supply voltage)	TEST
VCC		+ 5 V	VDD
GND		0 V	VSS
P11	I/O	PROM mode setting pins. Be fixed at high level.	
P21			
P77			
P12 , P10			
P17 to P15			
P22 , P20			
RESET			
XIN	Input	Connect an 8MHz oscillator to stabilize the internal state.	
XOUT	Output		
VAREF	Power Supply	0 V (GND)	
VASS			

Operational Description

The following explains the 87PH46 hardware configuration and operation. The configuration and functions of the 87PH46 are the same as those of the 87C446/846/H46, except in that a one-time PROM is used instead of an on-chip mask ROM.

The 87PH46 is placed in the single-clock mode during reset. To use the dual-clock mode, the low-frequency oscillator should be turned on by executing [SET (SYSCR2). XTEN] instruction at the beginning of the program.

1. Operating Mode

The 87PH46 has two modes: MCU and PROM.

1.1 MCU Mode

The MCU mode is activated by fixing the TEST / VPP pin at low level.

In the MCU mode, operation is the same as with the 87C446/846/H46 (the TEST / VPP pin cannot be used open because it has no built-in pull-down resistance).

1.1.1 Program Memory

The 87PH46 has a 16 K × 8-bit (addresses C000_H to FFFF_H in the MCU mode, addresses 4000_H to 7FFF_H in the PROM mode) of program memory (OTP).

To use the PH46 as the system evaluation for the 87C446/846/H46, the program should be written to the program memory area as shown in Figure 1-1.

Not Recommended for New Design

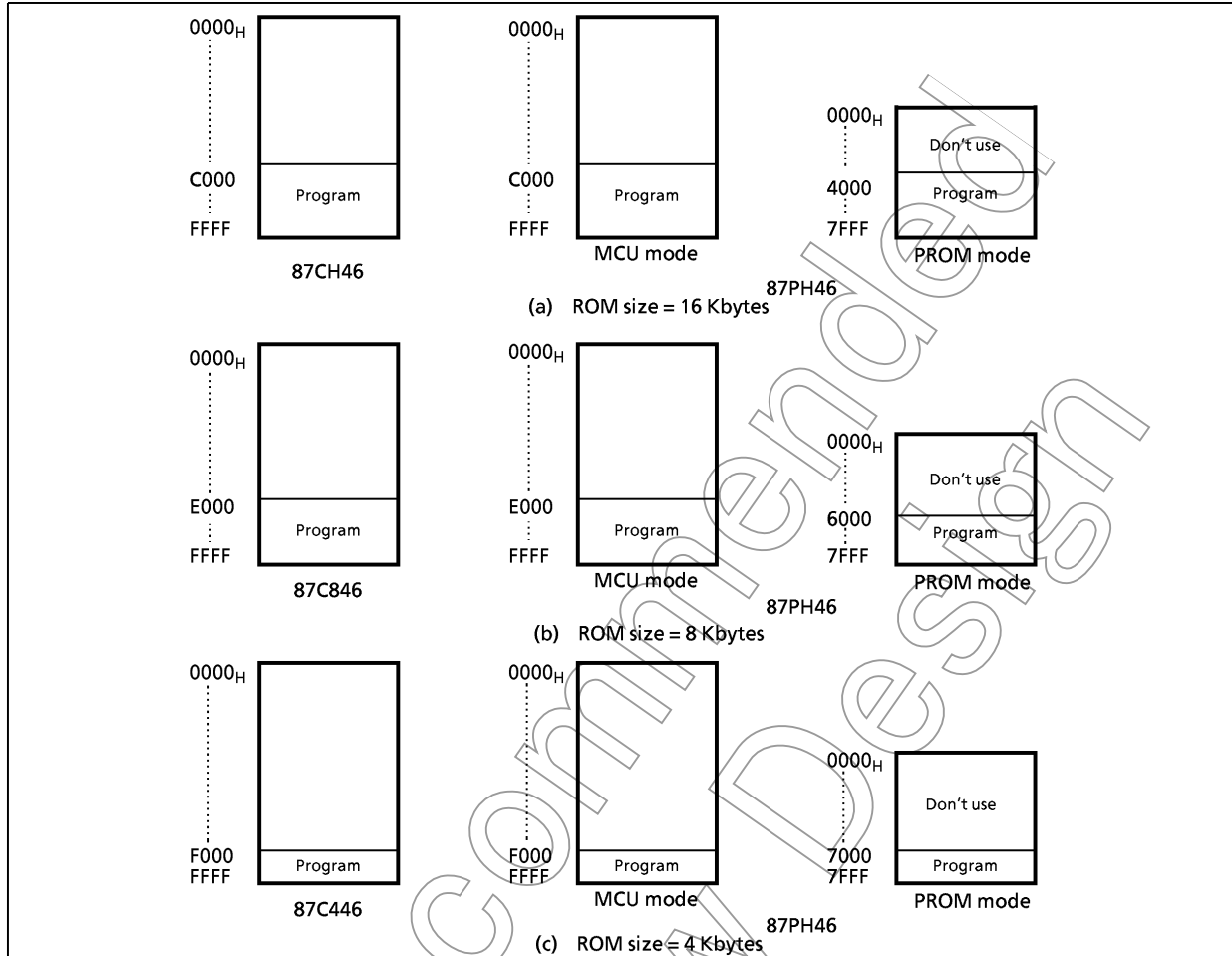


Figure 1-1. Program Memory Area

Note: Either write the data FF_H to the unused area or set the PROM programmer to access only the program storage area.

1.1.2 Data Memory

The 87PH46 has an on-chip 512 × 8-bit data memory (static RAM).

1.1.3 Input/Output Circuitry

(1) Control pins

The control pins of the 87PH46 is the same as those of the 87C446/846/H46 except that the TEST pin has no built-in pull-down resistance.

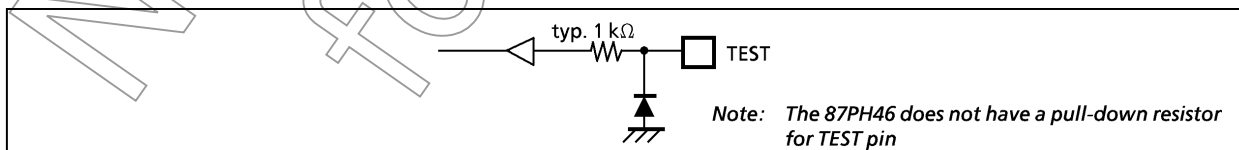


Figure 1-2. TEST Pin

(2) I/O ports

The I/O circuitries of 87PH46 I/O ports the are the same as the code A type I/O circuitries of the 87C446/846/H46.

1.2 PROM Mode

The PROM mode is activated by setting the TEST, $\overline{\text{RESET}}$ pin and the ports P17-P10, P22-P20 and P77 as shown in Figure 1-3. The PROM mode is used to write and verify programs with a general-purpose PROM programmer. The high-speed programming mode can be used for program operation. The 87PH46 is not supported an *electric signature mode*, so the ROM type must be set to TC57256AD. Set the adaptor socket switch to "N".

Note: Please set the high-speed programming mode according to each manual of PROM programmer.

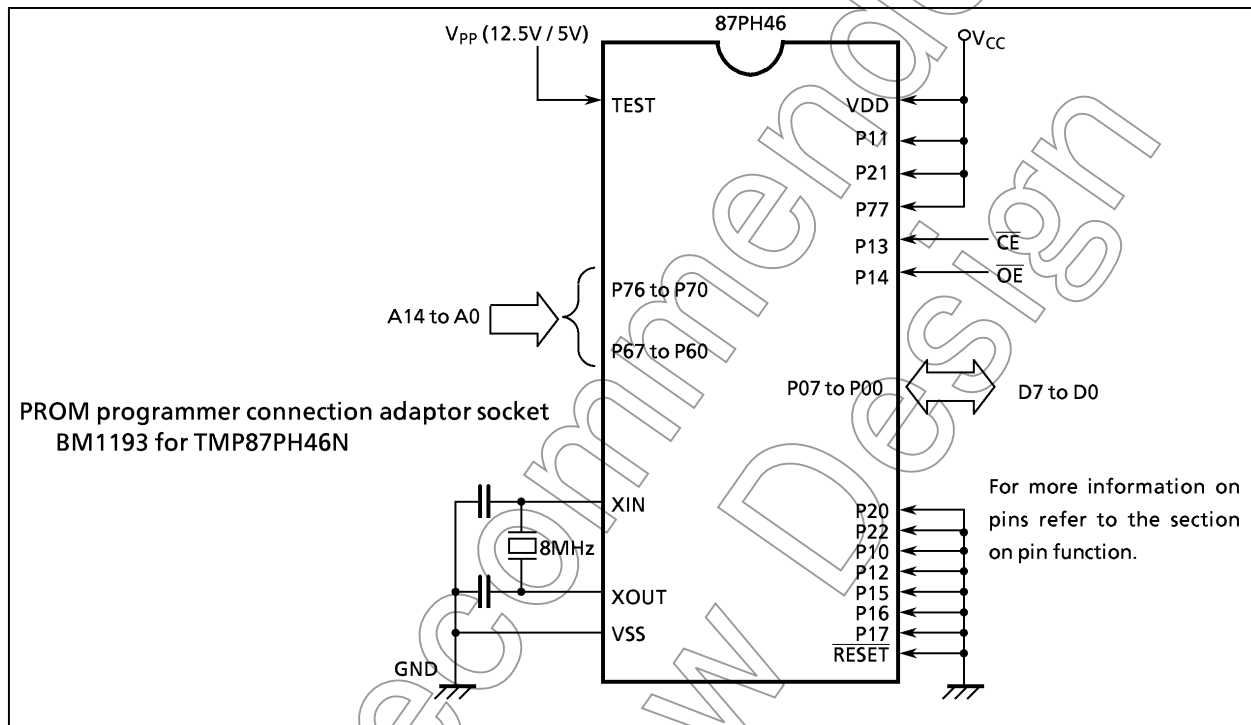


Figure 1-3. Setting for PROM Mode

Not Recommended for New Design

1.2.1 Programming Flowchart (High-speed Programming Mode-I)

The high-speed programming mode is achieved by applying the program voltage (+ 12.5 V) to the Vpp pin when Vcc = 6 V. After the address and input data are stable, the data is programmed by applying a single 1ms program pulse to the \overline{CE} input. The programmed data is verified. If incorrect, another 1ms program pulse is applied and then the programmed data is verified. This process should be repeated (up to 25 times) until the program operates correctly. Programming for one address is ended by applying additional program pulse with width 3 times that needed for initial programming (number of programmed times \times 1 ms). After that, change the address and input data, and program as before. When programming has been completed, the data in all addresses should be verified with Vcc = Vpp = 5 V.

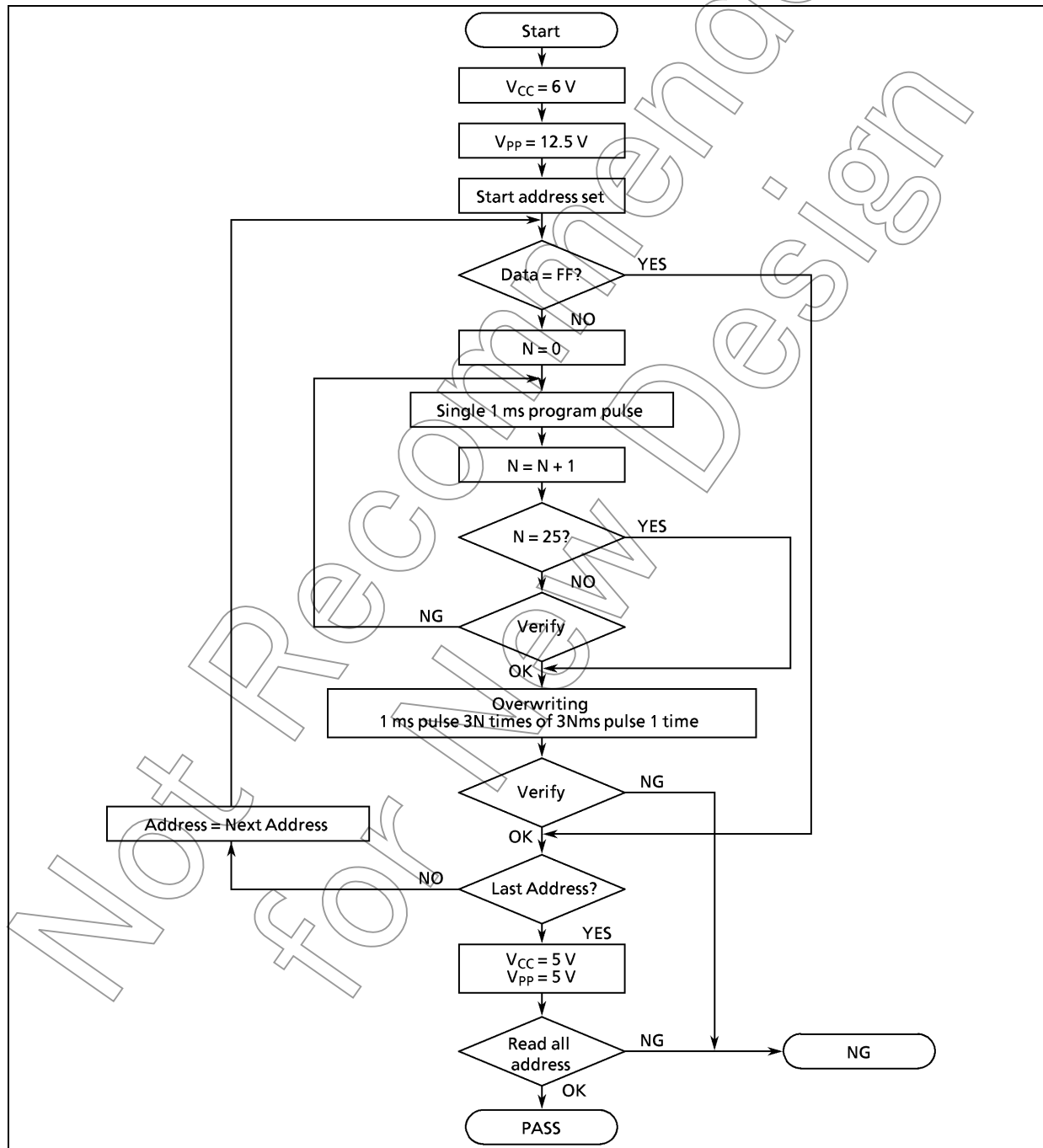


Figure 1-4. Flowchart of High-speed Programming Mode - I

1.2.2 Programming Flowchart (High-speed Programming Mode-II)

The high-speed programming mode is achieved by applying the program voltage (+ 12.75 V) to the Vpp pin when Vcc = 6.25 V. After the address and input data are stable, the data is programmed by applying a single 0.1ms program pulse to the \overline{CE} input. The programmed data is verified. If incorrect, another 0.1ms program pulse is applied and then the programmed data is verified. This process should be repeated (up to 25 times) until the program operates correctly. After that, change the address and input data, and program as before. When programming has been completed, the data in all addresses should be verified with Vcc = Vpp = 5 V.

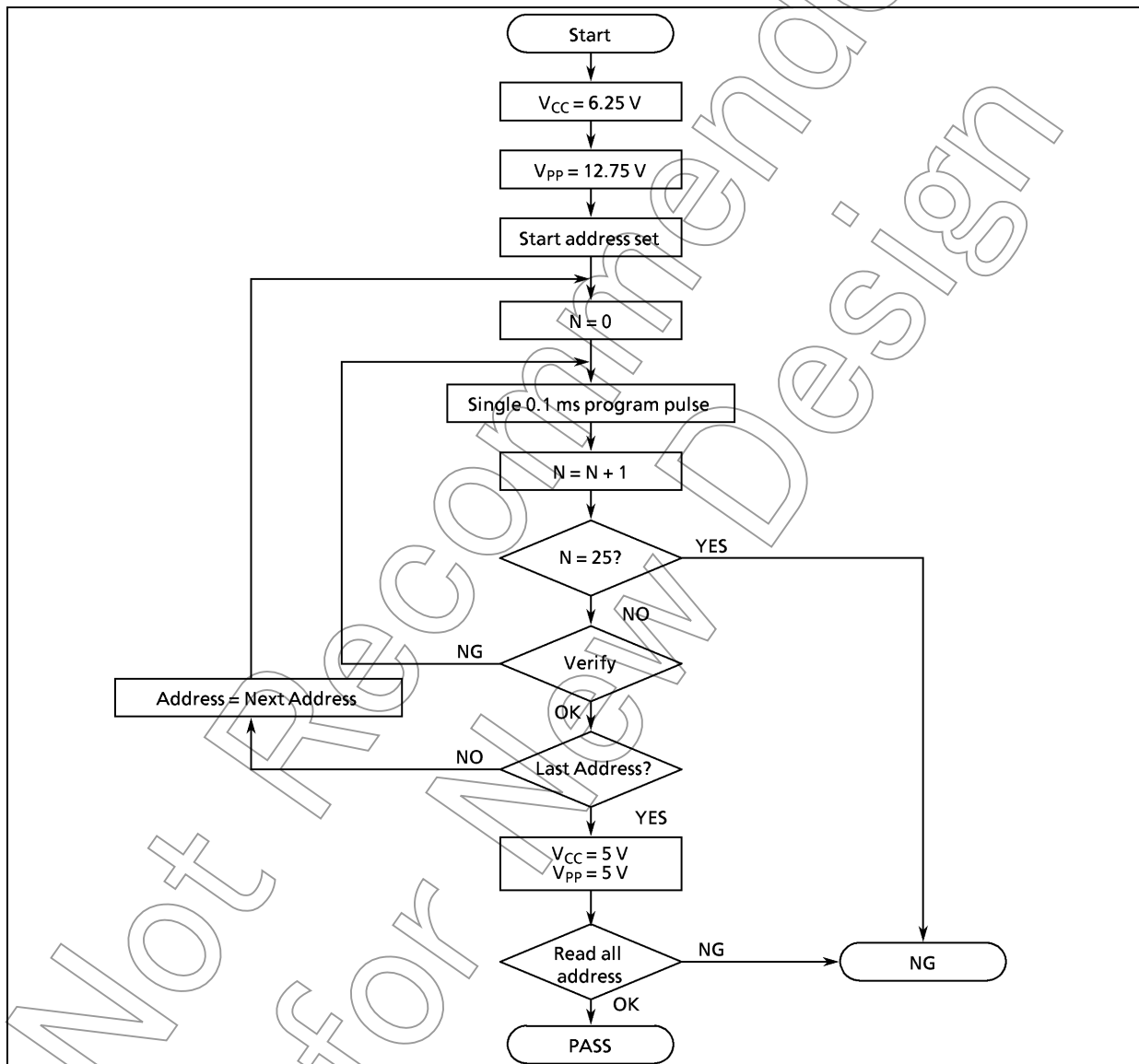


Figure 1-5. Flowchart of High-speed Programming Mode - II

1.2.3 Writing Method for General-purpose PROM Program

- (1) Adapters
BM1193: TMP87PH46N
- (2) Adapter setting
Switch (SW1) is set to side N.
- (3) PROM programmer specifying
 - i) PROM type is specified to TC57256AD.
Writing voltage: 12.5 V (high-speed program I mode)
12.75 V (high-speed program II mode)
 - ii) Data transfer (copy) (note 1)
In TMP87PH46, EPROM is within the addresses 4000 to 7FFFH. Data is required to be transferred (copied) to the addresses where it is possible to write. The program area in MCU mode and PROM mode is referred to "Program memory area" in figure 1-1.

Ex. In the block transfer (copy) mode, executed as below.
ROM capacity of 16KB: transferred addresses C000 to FFFFH to addresses 4000 to 7FFFH
 - iii) Writing address is specified. (note 1)
Start address: 4000H
End address: 7FFFH
- (4) Writing
Writing/Verifying is required to be executed in accordance with PROM programmer operating procedure.

Note 1: The specifying method is referred to the PROM programmer description. The data in addresses 0000 to 3FFFH must be specified to FFH.

Note 2: When MCU is set to an adapter or the adapter is set to PROM programmer, a position of pin 1 must be adjusted. If the setting is reversed, MCU, the adapter and PROM program is damaged.

Note 3: TMP87PH46 does not support the electric signature mode (hereinafter referred to as "signature"). If the signature is used in PROM program, a device is damaged due to applying $12V \pm 0.5V$ to the address pin 9 (A9). The signature must not be used.

Electrical Characteristics

Absolute Maximum Ratings

 $(V_{SS} = 0V)$

Parameter	Symbol	Conditions	Ratings	Unit
Supply Voltage	V_{DD}		-0.3 to 6.5	V
Input Voltage	V_{IN}		-0.3 to $V_{DD} + 0.3$	V
Output Voltage	V_{OUT1}	Except sink open drain pin, but include P2 and \overline{RESET}	-0.3 to $V_{DD} + 0.3$	V
	V_{OUT2}	Sink open drain pin except port P2, \overline{RESET}	-0.3 to $V_{DD} + 0.3$	
Output Current (Per 1 pin)	I_{OUT1}	Ports P1, P2, P6, P7	3.2	mA
	I_{OUT2}	Port P0	30	
Output Current (Total)	ΣI_{OUT1}	Ports P1, P2, P6, P7	100	mA
	ΣI_{OUT2}	Port P0	120	
Power Dissipation [$T_{opr} = 70^{\circ}C$]	PD	87PH46	600	mW
Soldering Temperature (time)	T_{sld}		260 (10 s)	$^{\circ}C$
Storage Temperature	T_{stg}		-55 to 125	$^{\circ}C$
Operating Temperature	T_{opr}		-30 to 70	$^{\circ}C$

Note: The absolute maximum ratings are rated values which must not be exceeded during operation, even for an instant. Any one of the ratings must not be exceeded. If any absolute maximum rating is exceeded, a device may break down or its performance may be degraded, causing it to catch fire or explode resulting in injury to the user. Thus, when designing products which include this device, ensure that no absolute maximum rating value will ever be exceeded.

Recommended Operating Conditions

 $(V_{SS} = 0V, T_{opr} = -30 \text{ to } 70^{\circ}C)$

Parameter	Symbol	Pins	Conditions	Min	Max	Unit	
Supply Voltage	V_{DD}		$f_c = 8 \text{ MHz}$	NORMAL1, 2 mode	4.5	5.5	V
				IDLE1, 2 mode			
			$f_c = 4.2 \text{ MHz}$	NORMAL1, 2 mode	2.7		
				IDLE1, 2 mode			
			$f_s = 32.768 \text{ kHz}$	SLOW mode	2.0		
SLEEP mode							
Input High Voltage	V_{IH1}	Except hysteresis input	$V_{DD} \geq 4.5 \text{ V}$	$V_{DD} \times 0.70$	V_{DD}	V	
	V_{IH2}	Hysteresis input		$V_{DD} \times 0.75$			
	V_{IH3}			$V_{DD} < 4.5 \text{ V}$			$V_{DD} \times 0.90$
Input Low Voltage	V_{IL1}	Except hysteresis input	$V_{DD} \geq 4.5 \text{ V}$	0	$V_{DD} \times 0.30$	V	
	V_{IL2}	Hysteresis input			$V_{DD} \times 0.25$		
	V_{IL3}				$V_{DD} < 4.5 \text{ V}$		$V_{DD} \times 0.10$
Clock Frequency	f_c	XIN, XOUT	$V_{DD} = 4.5 \text{ to } 5.5 \text{ V}$	1.0	8.0	MHz	
			$V_{DD} = 2.7 \text{ to } 5.5 \text{ V}$		4.2		
	f_s	XTIN, XTOUT		30.0	34.0	kHz	

Note 1: The recommended operating conditions for a device are operating conditions under which it can be guaranteed that the device will operate as specified. If the device is used under operating conditions other than the recommended operating conditions (supply voltage, operating temperature range, specified AC/DC values etc.), malfunction may occur. Thus, when designing products which include this device, ensure that the recommended operating conditions for the device are always adhered to.

Note 2: Clock frequency f_c ; Supply voltage range is specified in NORMAL mode and IDLE mode.

D.C. Characteristics

 $(V_{SS} = 0V, T_{opr} = -30 \text{ to } 70^\circ\text{C})$

Parameter	Symbol	PINS	Conditions	Min	Typ.	Max	Unit
Hysteresis Voltage	V_{HS}	Hysteresis inputs	$V_{DD} = 5.0V$	-	0.9	-	V
Input Current	I_{IN1}	TEST	$V_{DD} = 5.5V$ $V_{IN} = 5.5V / 0V$	-	-	± 2	μA
	I_{IN2}	Open drain ports, Tri-state ports					
	I_{IN3}	RESET, STOP					
Input Resistance	R_{IN2}	RESET		100	220	450	$k\Omega$
Output Leakage Current	I_{LO1}	Sink open drain ports	$V_{DD} = 5.5V, V_{OUT} = 5.5V$	-	-	2	μA
	I_{LO2}	Tri-state ports	$V_{DD} = 5.5V, V_{OUT} = 5.5V / 0V$	-	-	± 2	
Output High Voltage	V_{OH2}	Tri-state ports	$V_{DD} = 4.5V, I_{OH} = -0.7mA$	4.1	-	-	V
Output Low Voltage	V_{OL}	Except XOUT and P0	$V_{DD} = 4.5V, I_{OL} = 1.6mA$	-	-	0.4	V
Output Low current	I_{OL3}	P0	$V_{DD} = 4.5V, V_{OL} = 1.0V$	-	20	-	mA
Supply Current in NORMAL 1, 2 modes	I_{DD}		$V_{DD} = 5.5V$ $V_{IN} = 5.3V / 0.2V$ $f_c = 8MHz$ $f_s = 32.768kHz$	-	8	14	mA
Supply Current in IDLE 1, 2 modes			$V_{DD} = 3.0V$ $V_{IN} = 2.8V / 0.2V$ $f_c = 4.19MHz$ $f_s = 32.768kHz$	-	4	6	mA
Supply Current in NORMAL 1, 2 modes			$V_{DD} = 3.0V$ $V_{IN} = 2.8V / 0.2V$ $f_c = 4.19MHz$ $f_s = 32.768kHz$	-	2.5	3.5	mA
Supply Current in IDLE 1, 2 modes			$V_{DD} = 3.0V$ $V_{IN} = 2.8V / 0.2V$ $f_c = 4.19MHz$ $f_s = 32.768kHz$	-	1.5	2.0	mA
Supply Current in SLOW mode			$V_{DD} = 3.0V$ $V_{IN} = 2.8V / 0.2V$ $f_s = 32.768kHz$	-	30	60	μA
Supply Current in SLEEP mode			$V_{DD} = 3.0V$ $V_{IN} = 2.8V / 0.2V$ $f_s = 32.768kHz$	-	15	30	μA
Supply Current in STOP mode			$V_{DD} = 5.5V$ $V_{IN} = 5.3V / 0.2V$	-	0.5	10	μA

Note 1: Typical values show those at $T_{opr} = 25^\circ\text{C}$.Note 2: Input Current I_{IN1}, I_{IN3} ; The current through resistor is not included, when the input resistor (pull-up or pull-down) is contained.

A / D Conversion Characteristics

 $(V_{SS} = 0V, V_{DD} = 2.7 \text{ to } 5.5V, T_{opr} = -30 \text{ to } 70^\circ\text{C})$

Parameter	Symbol	Conditions	Min	Typ.	Max	Unit
Analog Reference Voltage	V_{AREF}		2.7	-	V_{DD}	V
	V_{ASS}					
Analog Input Voltage	V_{AIN}		V_{ASS}	-	V_{AREF}	V
Analog Supply Current	I_{REF}	$V_{AREF} = 5.5V, V_{ASS} = 0.0V$	-	0.5	1.0	mA
Nonlinearity Error		$V_{DD} = 5.0V$ $V_{AREF} = 5.000V$	-	-	± 1	LSB
Zero Point Error		$V_{ASS} (V_{SS}) = 0.000V$ or	-	-	± 1	
Full Scale Error		$V_{DD} = 2.7V, V_{SS} = 0V$ $V_{AREF} = 2.700V$	-	-	± 1	
Total Error		$V_{ASS} (V_{SS}) = 0.000V$	-	-	± 2	

Note: Quantizing error is not contained in Total Error.

A.C. Characteristics

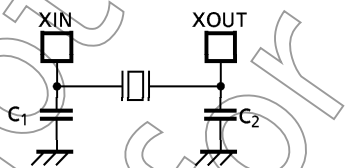
($V_{SS} = 0V$, $V_{DD} = 4.5$ to $5.5V$, $T_{opr} = -30$ to $70^{\circ}C$)

Parameter	Symbol	Conditions	Min	Typ.	Max	Unit
Machine Cycle Time	t_{cy}	In NORMAL1, 2 modes	0.5	-	4	μs
		In IDLE1, 2 modes				
		In SLOW mode	117.6	-	133.3	
		In SLEEP mode				
High Level Clock Pulse Width	t_{WCH}	For external clock operation	50.5	-	-	ns
Low Level Clock Pulse Width	t_{WCL}	(XIN input), $f_c = 8$ MHz				
High Level Clock Pulse Width	t_{WSH}	For external clock operation	14.7	-	-	μs
Low Level Clock Pulse Width	t_{WSL}	(XTIN input), $f_s = 32.768$ kHz				

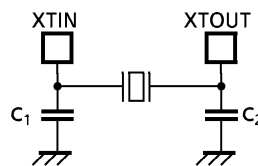
Recommended Oscillating Conditions

($V_{SS} = 0V$, $V_{DD} = 4.5$ to $5.5V$, $T_{opr} = -30$ to $70^{\circ}C$)

Parameter	Oscillator	Frequency	Recommended Oscillator	Recommended Condition	
				C_1	C_2
High-frequency	Ceramic Resonator	8 MHz	KYOCERA KBR8.0M MURATA CSA8.00MTz CSACS8.00MT CSTCS8.00MT	30 pF	30 pF
		4 MHz	KYOCERA KBR4.0MS MURATA CSAC4.00MGC CSA4.00MG		
	Crystal Oscillator	8 MHz	TOYOCOM 210B 8.0000	20 pF	20 pF
		4 MHz	TOYOCOM 204B 4.0000		
Low-frequency	Crystal Oscillator	32.768 kHz	NDK MX-38T	15 pF	15 pF



(1) High-frequency Oscillation



(2) Low-frequency Oscillation

Note 1: When used in high electric field such as a picture tube, the package is recommended to be electrically shielded to maintain a regular operation.

Note 2: The product numbers and specifications of the resonators by Murata Manufacturing Co., Ltd. are subject to change. For up-to-date information, please refer to the following URL:

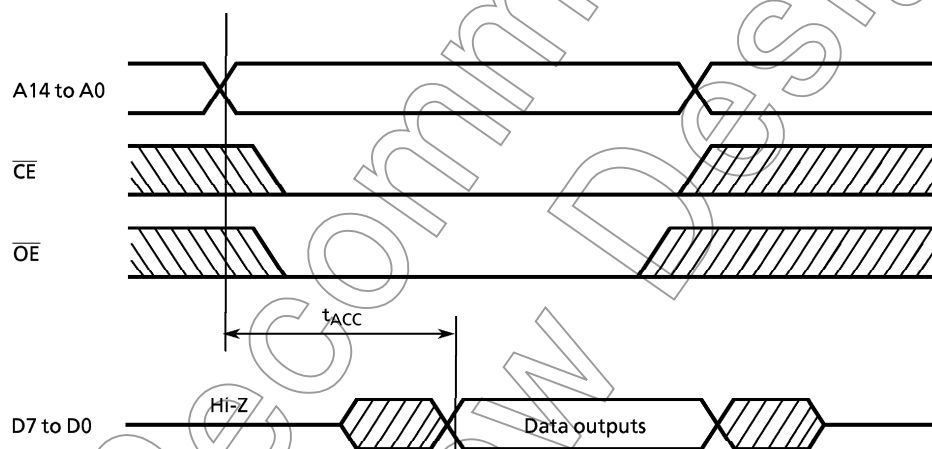
<http://www.murata.co.jp/search/index.html>

D.C./A.C. Characteristics (PROM mode) ($V_{SS} = 0\text{ V}$)

(1) READ OPERATION ($T_{opr} = -30\text{ to }70^\circ\text{C}$)

Parameter	Symbol	Conditions	Min	Typ.	Max	Unit
Input High Voltage	V_{IH4}		$V_{CC} \times 0.7$	–	V_{CC}	V
Input Low Voltage	V_{IL4}		0	–	$V_{CC} \times 0.12$	V
Power Supply Voltage	V_{CC}		4.75	–	6.0	V
Program Power Supply Voltage	V_{PP}					V
Address Access Time	t_{ACC}	$V_{CC} = 5.0 \pm 0.25\text{ V}$	–	$1.5t_{cyc} + 300$	–	ns

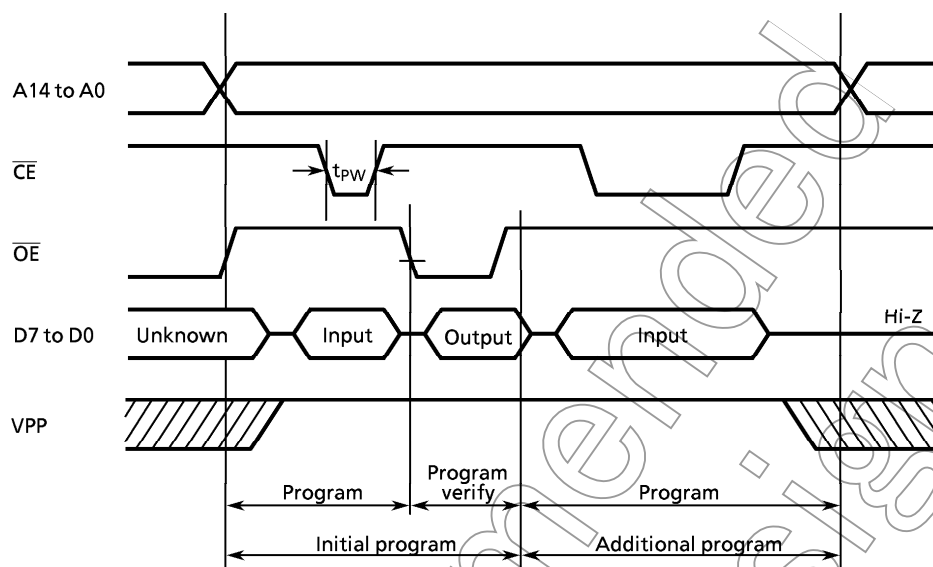
Note: $t_{cyc} \approx 500\text{ ns}$ at 8 MHz



Timing Waveforms of Read Operation

(2) Program Operation (High Speed Write Mode > I) ($T_{opr} = 25 \pm 5^\circ\text{C}$)

Parameter	Symbol	Conditions	Min	Typ.	Max	Unit
Input High Voltage	V_{IH4}		$V_{CC} \times 0.7$	–	V_{CC}	V
Input Low Voltage	V_{IL4}		0	–	$V_{CC} \times 0.12$	V
Power Supply Voltage	V_{CC}		5.75	6.0	6.25	V
Program Power Supply Voltage	V_{PP}		12.0	12.5	13.0	V
Initial Program Pulse Width	t_{PW}	$V_{CC} = 6.0\text{ V} \pm 0.25\text{ V}$, $V_{PP} = 12.5 \pm 0.5\text{ V}$	0.95	1.0	1.05	ms



Timing Waveforms of Programming Operation

Note 1: When V_{CC} power supply is turned on or after, V_{PP} must be increased.

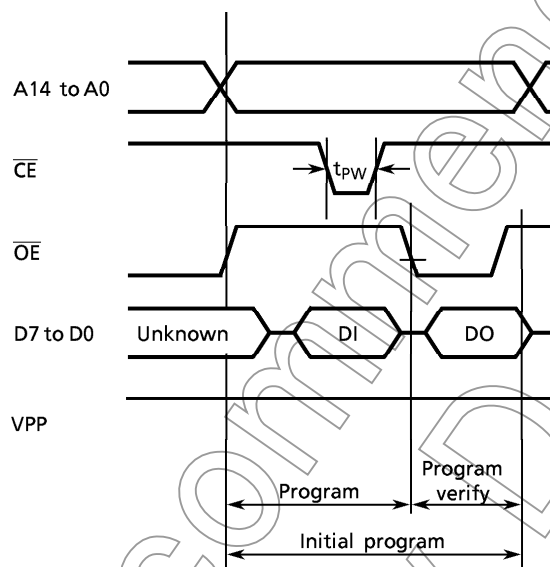
When V_{CC} power supply is turned off or before, V_{PP} must be decreased.

Note 2: The device must not be set to the EPROM programmer or picked up from it under applying the program voltage ($12.5\text{ V} \pm 0.5\text{ V}$) to the V_{PP} pin as the device is damaged.

Note 3: Be sure to execute the recommended programming mode with the recommended programming adaptor. If a mode or an adaptor except the above, the misoperation sometimes occurs.

(3) Program Operation (High speed write mode - II) ($T_{opr} = 25 \pm 5^{\circ}\text{C}$)

Parameter	Symbol	Conditions	Min	Typ.	Max	Unit
Input High Voltage	V_{IH4}		$V_{CC} \times 0.7$	-	V_{CC}	V
Input Low Voltage	V_{IL4}		0	-	$V_{CC} \times 0.12$	V
Supply Voltage	V_{CC}		6.00	6.25	6.50	V
Program Supply Voltage	V_{PP}		12.50	12.75	13.0	V
Initial Program Pulse Width	t_{PW}	$V_{CC} = 6.25 \text{ V} \pm 0.25 \text{ V}$, $V_{PP} = 12.75 \text{ V} \pm 0.25 \text{ V}$	0.095	0.1	0.105	ms



Note: DO ; Data output (I0 to I7)
DI ; Data input (I0 to I7)

Note 1: When V_{CC} power supply is turned on or after, V_{PP} must be increased.

When V_{CC} power supply is turned off or before, V_{PP} must be decreased.

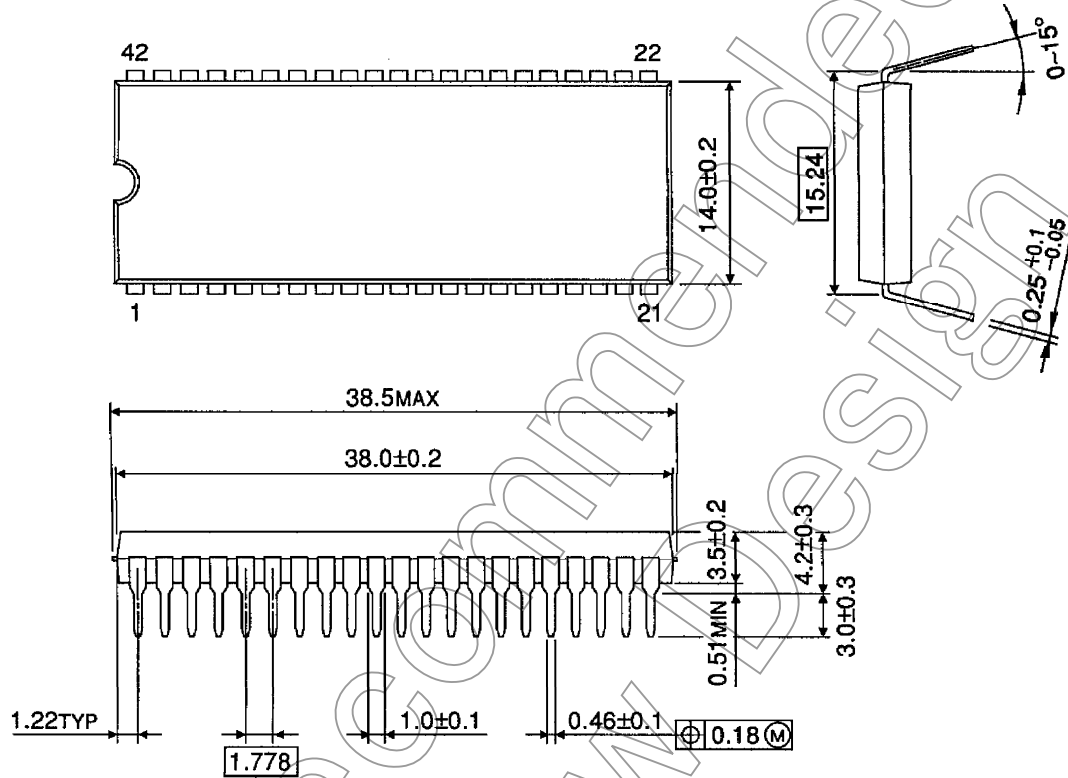
Note 2: The device must not be set to the EPROM programmer or picked up from it under applying the program voltage ($12.75 \text{ V} \pm 0.25 \text{ V}$) to the V_{PP} pin as the device is damaged.

Note 3: Be sure to execute the recommended programming mode with the recommended programming adaptor. If a mode or an adaptor except the above, the misoperation sometimes occurs.

Package Dimensions

P-SDIP42-600-1.78

Unit: mm



Not Recommended for New Design

Not Recommended
for New Design