

QUAD CHANNEL HIGH SIDE SOLID STATE RELAY

TYPE	$R_{DS(on)}$ (*)	I_{lim}	V_{CC}
VNQ600	35m Ω	25A	36 V

(*) Per each channel

- DC SHORT CIRCUIT CURRENT: 25A
- CMOS COMPATIBLE INPUTS
- PROPORTIONAL LOAD CURRENT SENSE
- UNDERVOLTAGE & OVERVOLTAGE SHUT-DOWN
- OVERVOLTAGE CLAMP
- THERMAL SHUT-DOWN
- CURRENT LIMITATION
- VERY LOW STAND-BY POWER DISSIPATION
- PROTECTION AGAINST:
 - LOSS OF GROUND & LOSS OF V_{CC}
- REVERSE BATTERY PROTECTION (**)

DESCRIPTION

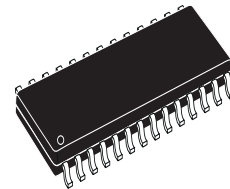
The VNQ600 is a quad HSD formed by assembling two VND600 chips in the same SO-28

ABSOLUTE MAXIMUM RATING

Symbol	Parameter	Value	Unit
V_{CC}	Supply voltage (continuous)	41	V
$-V_{CC}$	Reverse supply voltage (continuous)	-0.3	V
I_{OUT}	Output current (continuous), for each channel	15	A
I_R	Reverse output current (continuous), for each channel	-15	A
I_{IN}	Input current	+/- 10	mA
$V_{CSSENSE}$	Current sense maximum voltage	-3 +15	V V
I_{GND}	Ground current at $T_{pins} \leq 25^\circ\text{C}$ (continuous)	-200	mA
V_{ESD}	Electrostatic Discharge (Human Body Model: $R=1.5\text{K}\Omega$; $C=100\text{pF}$)		
	- INPUT	4000	V
	- CURRENT SENSE	2000	V
	- OUTPUT	5000	V
	- V_{CC}	5000	V
E_{MAX}	Maximum Switching Energy ($L=0.11\text{mH}$; $R_L=0\Omega$; $V_{bat}=13.5\text{V}$; $T_{jstart}=150^\circ\text{C}$; $I_L=40\text{A}$)	126	mJ
P_{tot}	Power dissipation (per island) at $T_{lead}=25^\circ\text{C}$	6.25	W
T_j	Junction operating temperature	Internally Limited	$^\circ\text{C}$
T_{stg}	Storage temperature	-55 to 150	$^\circ\text{C}$

(**) See application schematic at page 9.

Rev. 1



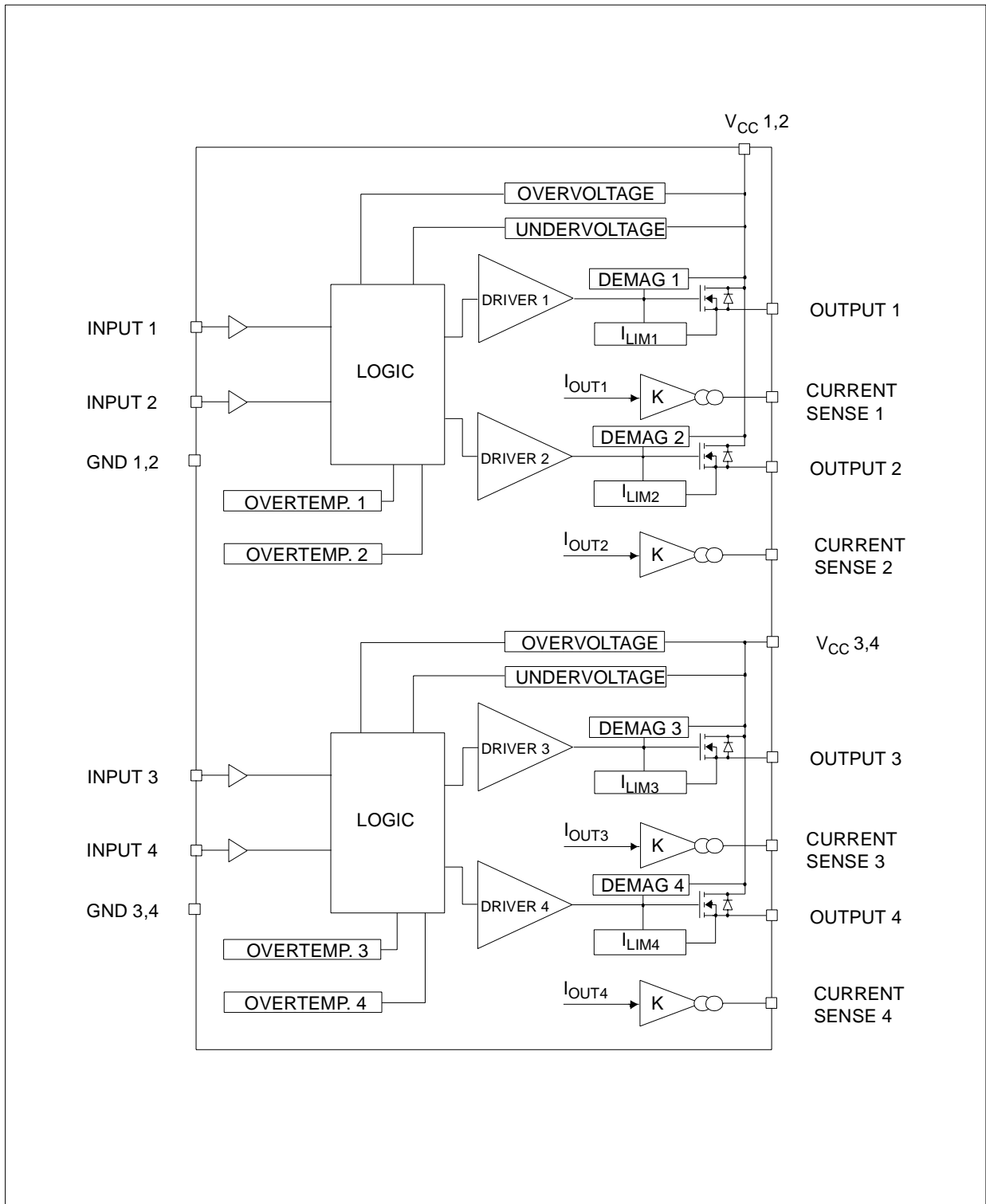
SO-28 (DOUBLE ISLAND)

ORDER CODES

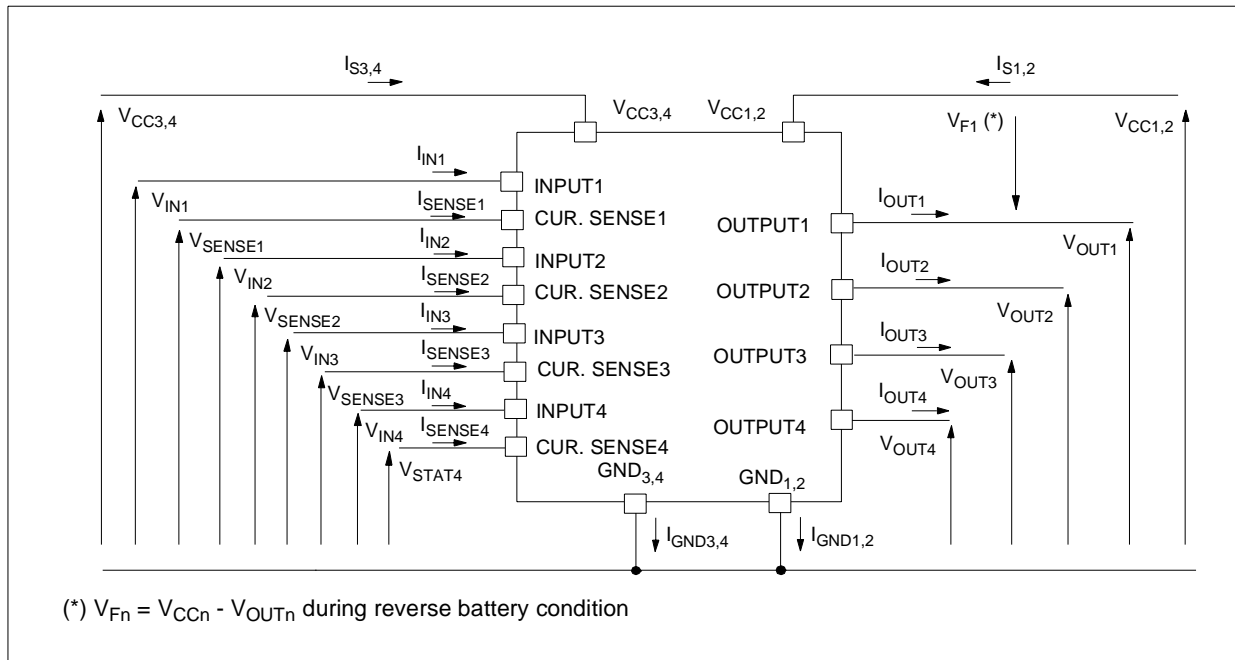
PACKAGE	TUBE	T&R
SO-28	VNQ600	VNQ60013TR

package. The VND600 is a monolithic device designed in STMicroelectronics VIPower M0-3 Technology. The VNQ600 is intended for driving any type of multiple loads with one side connected to ground. This device has four independent channels and four analog sense outputs which deliver currents proportional to the outputs currents. Active current limitation combined with thermal shut-down and automatic restart protect the device against overload. Device automatically turns off in case of ground pin disconnection.

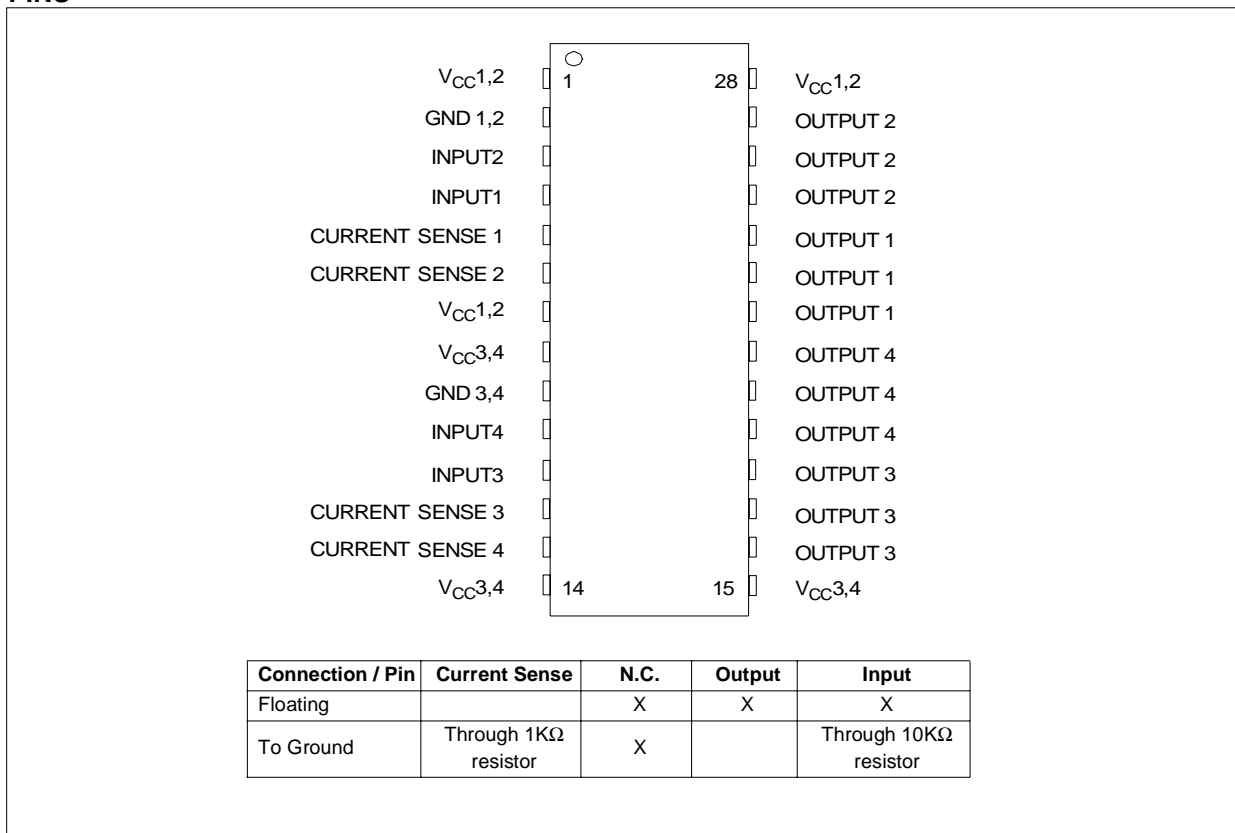
BLOCK DIAGRAM



CURRENT AND VOLTAGE CONVENTIONS



CONFIGURATION DIAGRAM (TOP VIEW) & SUGGESTED CONNECTIONS FOR UNUSED AND N.C. PINS



THERMAL DATA (Per island)

Symbol	Parameter	Value		Unit
R _{thj-lead}	Thermal resistance Junction-lead	20		°C/W
R _{thj-amb}	Thermal resistance Junction-ambient (one chip ON)	60 (1)	45 (2)	°C/W
R _{thj-amb}	Thermal Resistance Junction-ambient (two chips ON)	46 (1)	31 (2)	°C/W

(1) When mounted on a standard single-sided FR-4 board with 0.5cm² of Cu (at least 35µm thick) connected to all V_{CC} pins. Horizontal mounting and no artificial air flow.

(2) When mounted on a standard single-sided FR-4 board with 6cm² of Cu (at least 35µm thick) connected to all V_{CC} pins. Horizontal mounting and no artificial air flow.

ELECTRICAL CHARACTERISTICS (8V < V_{CC} < 36V; -40°C < T_j < 150°C; unless otherwise specified)

(Per each channel)

POWER

Symbol	Parameter	Test Conditions	Min	Typ	Max	Unit
V _{CC} (**)	Operating supply voltage		5.5	13	36	V
V _{USD} (**)	Undervoltage shut-down		3	4	5.5	V
V _{OV} (**)	Overvoltage shut-down		36			V
R _{ON}	On state resistance	I _{OUT} 1,2,3,4=5A; T _j =25°C I _{OUT} 1,2,3,4=5A; T _j =150°C I _{OUT} 1,2,3,4=3A; V _{CC} =6V			35 70 120	mΩ mΩ mΩ
V _{clamp}	Clamp Voltage	I _{CC} =20mA (see note 1)	41	48	55	V
I _S (**)	Supply current	Off State; V _{CC} =13V; V _{IN} =V _{OUT} =0V Off State; V _{CC} =13V; V _{IN} =V _{OUT} =0V; T _j =25°C On State; V _{CC} =13V; V _{IN} =5V; I _{OUT} =0A; R _{SENSE} =3.9KΩ		12 12	40 25	µA µA
I _{L(off1)}	Off state output current	V _{IN} =V _{OUT} =0V	0		50	µA
I _{L(off2)}	Off State Output Current	V _{IN} =0V; V _{OUT} =3.5V	-75		0	µA
I _{L(off3)}	Off State Output Current	V _{IN} =V _{OUT} =0V; V _{CC} =13V; T _j =125°C			5	µA
I _{L(off4)}	Off State Output Current	V _{IN} =V _{OUT} =0V; V _{CC} =13V; T _j =25°C			3	µA

SWITCHING (V_{CC}=13V)

Symbol	Parameter	Test Conditions	Min	Typ	Max	Unit
t _{d(on)}	Turn-on delay time	R _L =2.6Ω channels 1,2,3,4 (see fig. 1)		40		µs
t _{d(off)}	Turn-off delay time	R _L =2.6Ω channels 1,2,3,4 (see fig. 1)		40		µs
(dV _{OUT} /dt) _{on}	Turn-on voltage slope	R _L =2.6Ω channels 1,2,3,4 (see fig. 1)		See relative diagram		V/µs
(dV _{OUT} /dt) _{off}	Turn-off voltage slope	R _L =2.6Ω channels 1,2,3,4 (see fig. 1)		See relative diagram		V/µs

(**) Per island

VCC - OUTPUT DIODE

Symbol	Parameter	Test Conditions	Min	Typ	Max	Unit
V _F	Forward on Voltage	-I _{OUT} =2.30A; T _j =150°C			0.6	V

ELECTRICAL CHARACTERISTICS (continued)CURRENT SENSE (9V < V_{CC} < 16V) (See Figure 3)

Symbol	Parameter	Test Conditions	Min	Typ	Max	Unit
K ₁	I _{OUT} /I _{SENSE}	I _{OUT1} or I _{OUT2} =0.5A; V _{SENSE} =0.5V; other channels open; T _J = -40°C...150°C	3300	4400	6000	
dK ₁ /K ₁	Current Sense Ratio Drift	I _{OUT1} or I _{OUT2} =0.35A; V _{SENSE} =0.5V; other channels open; T _J = -40°C...150°C	-10		+10	%
K ₂	I _{OUT} /I _{SENSE}	I _{OUT1} or I _{OUT2} =5A; V _{SENSE} =4V; other channels open; T _J =-40°C T _J =25°C...150°C	4200 4400	4900 4900	6000 5750	
dK ₂ /K ₂	Current Sense Ratio Drift	I _{OUT1} or I _{OUT2} =2A; V _{SENSE} =2.5V; other channels open; T _J =-40°C...150°C	-6		+6	%
K ₃	I _{OUT} /I _{SENSE}	I _{OUT1} or I _{OUT2} =15A; V _{SENSE} =4V; other channels open; T _J =-40°C T _J =25°C...150°C	4200 4400	4900 4900	5500 5250	
dK ₃ /K ₃	Current Sense Ratio Drift	I _{OUT1} or I _{OUT2} =15A; V _{SENSE} =4V; other channels open; T _J =-40°C...150°C	-6		+6	%
V _{SENSE1,2}	Max analog sense output voltage	V _{CC} =5.5V; I _{OUT1,2} =2.5A; R _{SENSE} =10kΩ V _{CC} >8V, I _{OUT1,2} =5A; R _{SENSE} =10kΩ	2 4			V V
V _{SENSEH}	Analog sense output voltage in overtemperature condition	V _{CC} =13V; R _{SENSE} =3.9kΩ		5.5		V
R _{VSENSEH}	Analog Sense Output Impedance in Overtemperature Condition	V _{CC} =13V; T _J >T _{TSD} ; All channels open		400		Ω
t _{DSENSE}	Current sense delay response	to 90% I _{SENSE} (see note 2)			500	μs

LOGIC INPUT

Symbol	Parameter	Test Conditions	Min	Typ	Max	Unit
V _{IL}	Low level input voltage				1.25	V
V _{IH}	High level input voltage		3.25			V
V _{I(hyst)}	Input hysteresis voltage		0.5			V
I _{IL}	Input current	V _{IN} =1.5V	1			μA
I _{IN}	Input current	V _{IN} =3.5V			10	μA
V _{ICL}	Input clamp voltage	I _{IN} =1mA I _{IN} = -1mA	6	6.8 -0.7	8	V V

Note 1: V_{clamp} and V_{OY} are correlated. Typical difference is 5V.

Note 2: current sense signal delay after positive input slope.

ELECTRICAL CHARACTERISTICS (continued)

PROTECTIONS (see note 1)

Symbol	Parameter	Test Conditions	Min	Typ	Max	Unit
I_{lim}	DC Short circuit current	$V_{CC}=13V$ $5.5V < V_{CC} < 36V$	25	40	70 70	A A
T_{TSD}	Thermal shut-down temperature		150	175	200	°C
T_R	Thermal reset temperature		135			°C
T_{hyst}	Thermal hysteresis		7	15		°C
V_{demag}	Turn-off output voltage clamp	$I_{OUT}=2A; L=6mH$	$V_{CC}-41$	$V_{CC}-48$	$V_{CC}-55$	V
V_{ON}	Output voltage drop limitation	$I_{OUT}=0.5A; T_j = -40°C...+150°C$		50		mV

Note 1: To ensure long term reliability under heavy overload or short circuit conditions, protection and related diagnostic signals must be used together with a proper software strategy. If the device is subjected to abnormal conditions, this software must limit the duration and number of activation cycles.

TRUTH TABLE (per channel)

CONDITIONS	INPUT	OUTPUT	SENSE
Normal operation	L	L	0
	H	H	Nominal
Overtemperature	L	L	0
	H	L	V_{SENSEH}
Undervoltage	L	L	0
	H	L	0
Overvoltage	L	L	0
	H	L	0
Short circuit to GND	L	L	0
	H	L	$(T_j < T_{TSD})$ 0
	H	L	$(T_j > T_{TSD})$ V_{SENSEH}
Short circuit to V_{CC}	L	H	0
	H	H	< Nominal
Negative output voltage clamp	L	L	0

ELECTRICAL TRANSIENT REQUIREMENTS

ISO T/R 7637/1 Test Pulse	Test Levels I	Test Levels II	Test Levels III	Test Levels IV	Test Levels Delays and Impedance
1	-25V	-50V	-75V	-100V	2ms, 10Ω
2	+25V	+50V	+75V	+100V	0.2ms, 10Ω
3a	-25V	-50V	-100V	-150V	0.1μs, 50Ω
3b	+25V	+50V	+75V	+100V	0.1μs, 50Ω
4	-4V	-5V	-6V	-7V	100ms, 0.01Ω
5	+26.5V	+46.5V	+66.5V	+86.5V	400ms, 2Ω

ISO T/R 7637/1 Test Pulse	Test Levels Result I	Test Levels Result II	Test Levels Result III	Test Levels Result IV
1	C	C	C	C
2	C	C	C	C
3a	C	C	C	C
3b	C	C	C	C
4	C	C	C	C
5	C	E	E	E

Class	Contents
C	All functions of the device are performed as designed after exposure to disturbance.
E	One or more functions of the device is not performed as designed after exposure and cannot be returned to proper operation without replacing the device.

Figure 1: Switching Characteristics (Resistive load $R_L=2.6\Omega$)

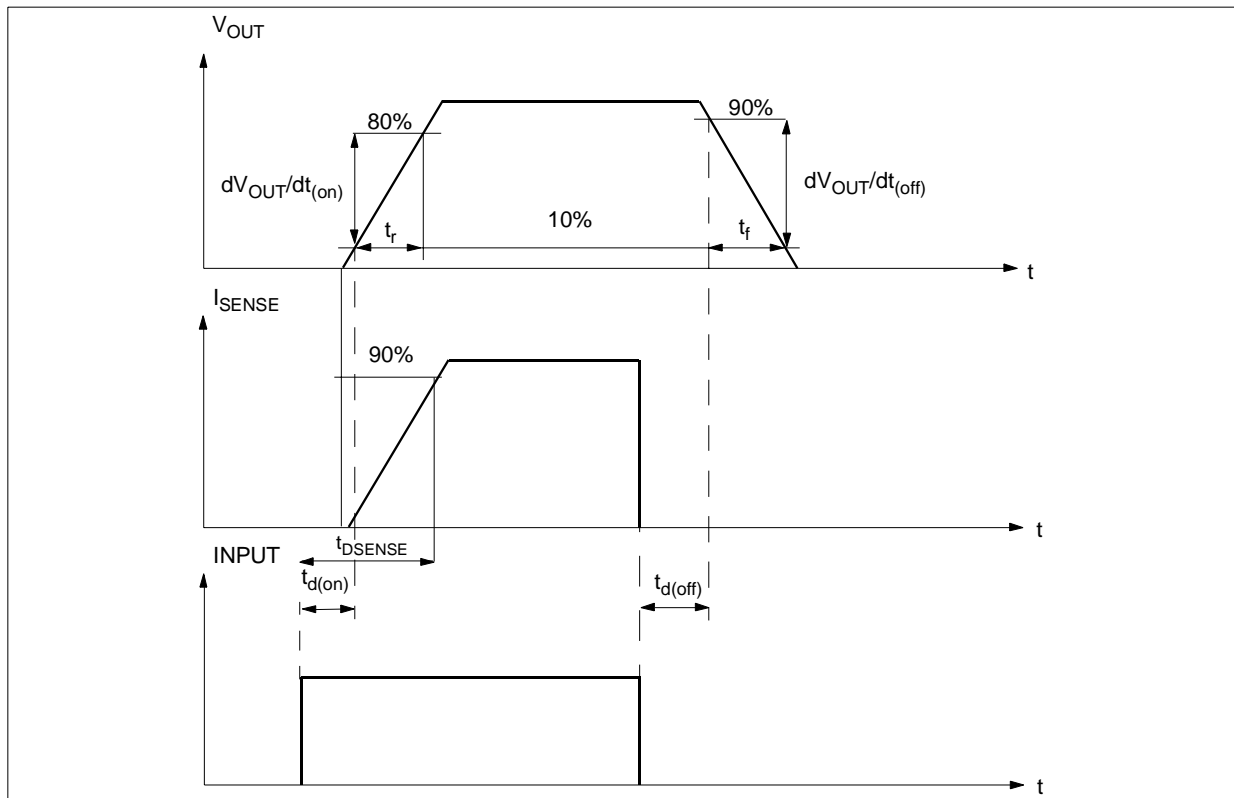
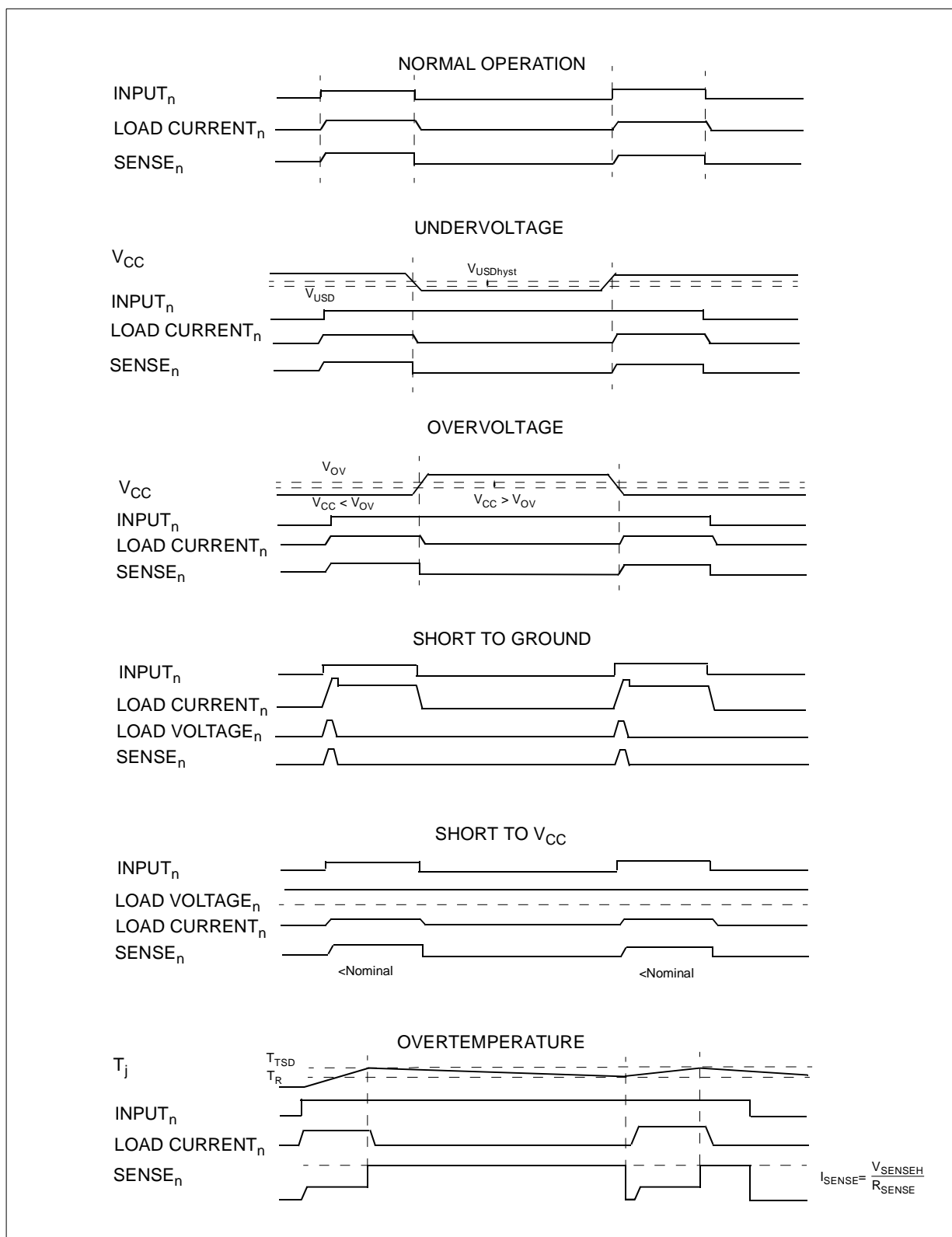
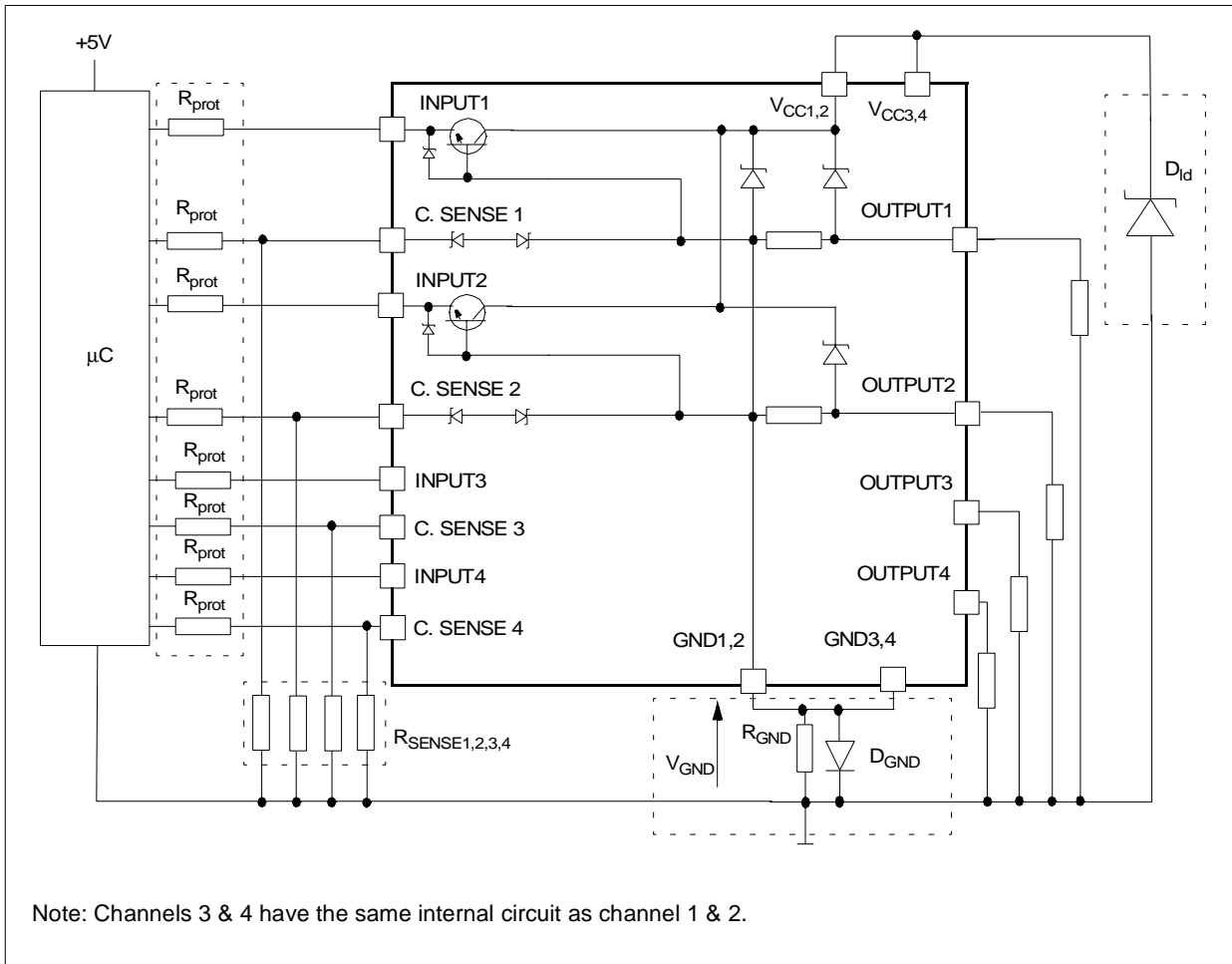


Figure 2: Waveforms (per each chip)



APPLICATION SCHEMATIC



GND PROTECTION NETWORK AGAINST REVERSE BATTERY

Solution 1: Resistor in the ground line (R_{GND} only). This can be used with any type of load.

The following is an indication on how to dimension the R_{GND} resistor.

- 1) $R_{GND} \leq 600mV / 2(I_{S(on)max})$.
- 2) $R_{GND} \geq (-V_{CC}) / (-I_{GND})$

where $-I_{GND}$ is the DC reverse ground pin current and can be found in the absolute maximum rating section of the device's datasheet.

Power Dissipation in R_{GND} (when $V_{CC} < 0$: during reverse battery situations) is:

$$P_D = (-V_{CC})^2 / R_{GND}$$

This resistor can be shared amongst several different HSD. Please note that the value of this resistor should be calculated with formula (1) where $I_{S(on)max}$ becomes the sum of the maximum on-state currents of the different devices.

Please note that if the microprocessor ground is not common with the device ground then the R_{GND} will produce a shift ($I_{S(on)max} * R_{GND}$) in the input thresholds

and the status output values. This shift will vary depending on how many devices are ON in the case of several high side drivers sharing the same R_{GND} .

If the calculated power dissipation leads to a large resistor or several devices have to share the same resistor then the ST suggests to utilize Solution 2 (see below).

Solution 2: A diode (D_{GND}) in the ground line.

A resistor ($R_{GND} = 1k\Omega$) should be inserted in parallel to D_{GND} if the device will be driving an inductive load.

This small signal diode can be safely shared amongst several different HSD. Also in this case, the presence of the ground network will produce a shift ($\approx 600mV$) in the input threshold and the status output values if the microprocessor ground is not common with the device ground. This shift will not vary if more than one HSD shares the same diode/resistor network.

Series resistor in INPUT and STATUS lines are also required to prevent that, during battery voltage transient, the current exceeds the Absolute Maximum Rating.

Safest configuration for unused INPUT and STATUS pin is to leave them unconnected.

LOAD DUMP PROTECTION

D_{ld} is necessary (Voltage Transient Suppressor) if the load dump peak voltage exceeds V_{CC} max DC rating. The same applies if the device will be subject to transients on the V_{CC} line that are greater than the ones shown in the ISO T/R 7637/1 table.

μC I/Os PROTECTION:

If a ground protection network is used and negative transients are present on the V_{CC} line, the control pins will

be pulled negative. ST suggests to insert a resistor (R_{prot}) in line to prevent the μC I/Os pins to latch-up.

The value of these resistors is a compromise between the leakage current of μC and the current required by the HSD I/Os (Input levels compatibility) with the latch-up limit of μC I/Os.

$$-V_{CCpeak}/I_{latchup} \leq R_{prot} \leq (V_{OH\mu C} - V_{IH} - V_{GND}) / I_{IHmax}$$

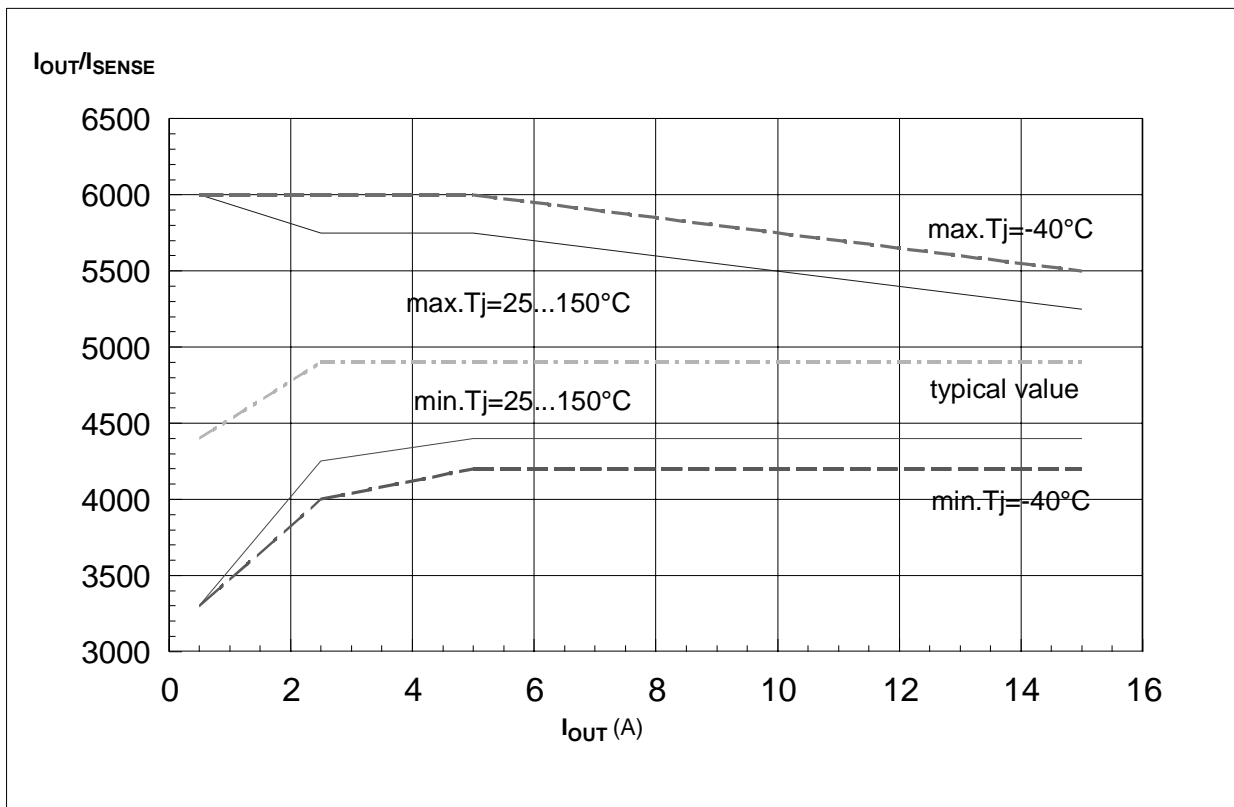
Calculation example:

For $V_{CCpeak} = -100V$ and $I_{latchup} \geq 20mA$; $V_{OH\mu C} \geq 4.5V$

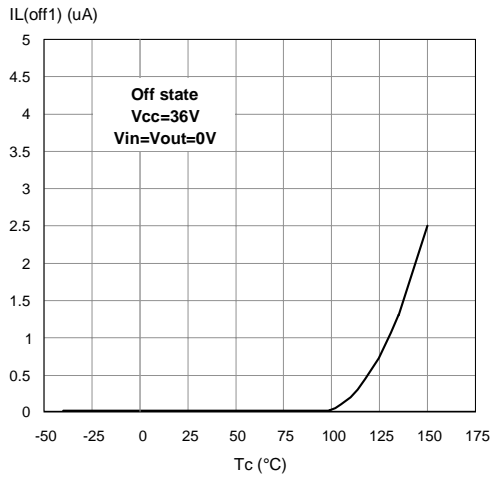
$$5k\Omega \leq R_{prot} \leq 65k\Omega.$$

Recommended R_{prot} value is 10k Ω .

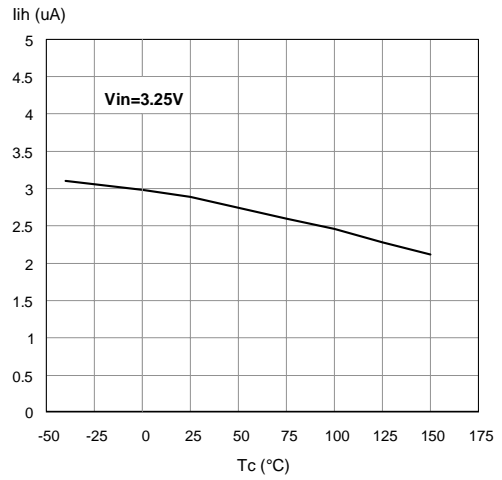
Figure 3: I_{OUT}/I_{SENSE} versus I_{OUT}



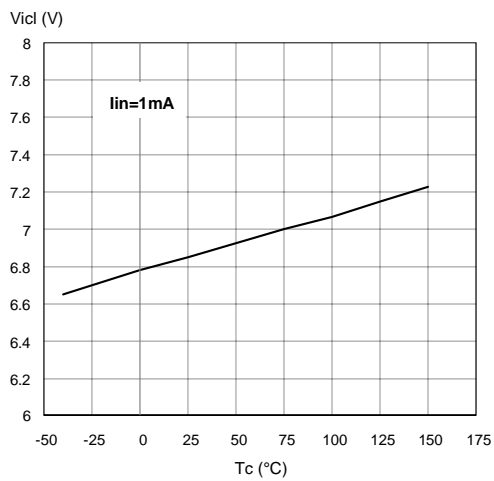
Off State Output Current



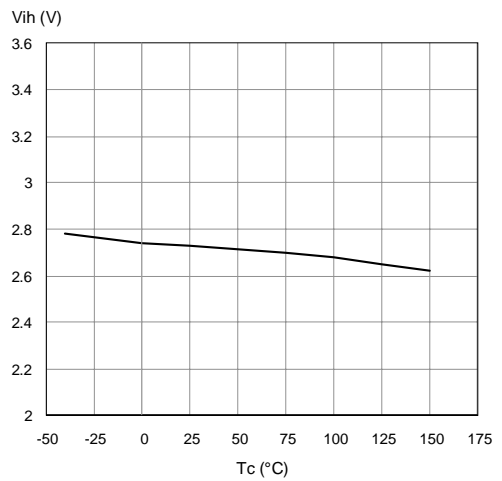
High Level Input Current



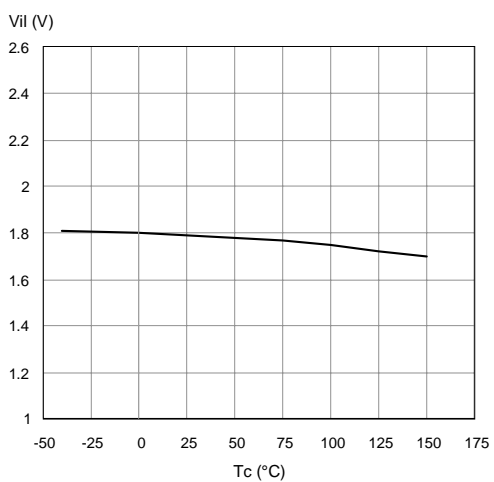
Input Clamp Voltage



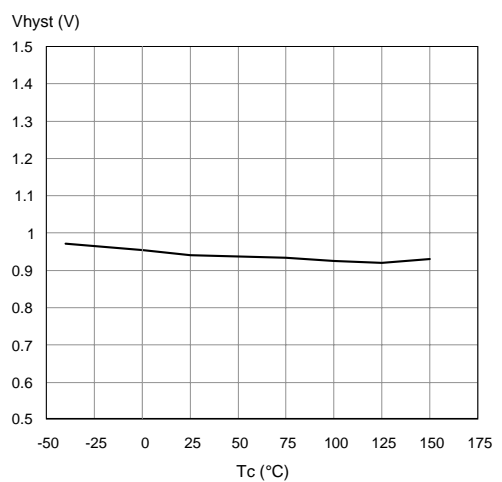
Input High Level



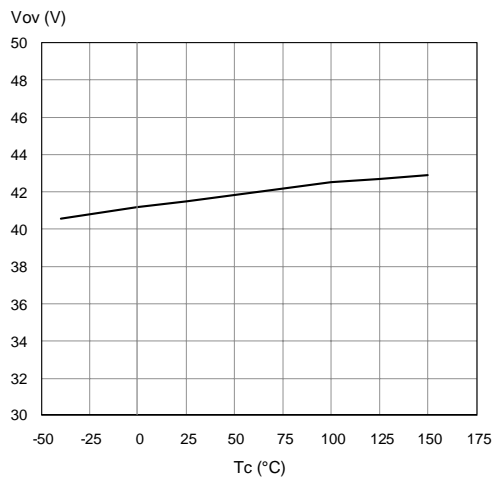
Input Low Level



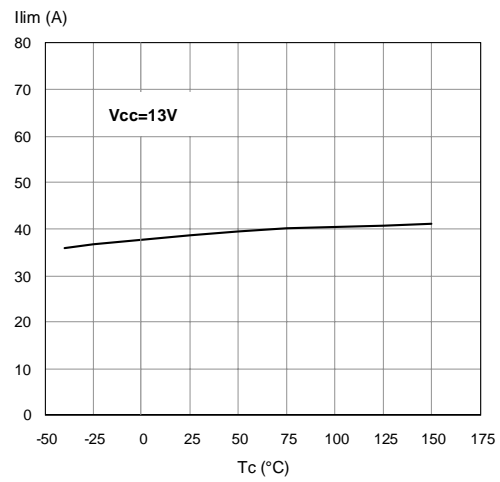
Input Hysteresis Voltage



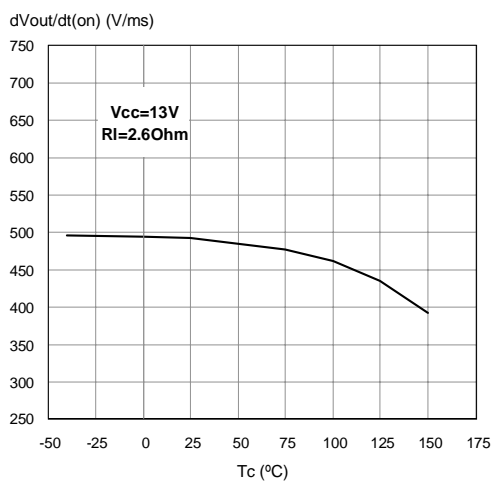
Overvoltage Shutdown



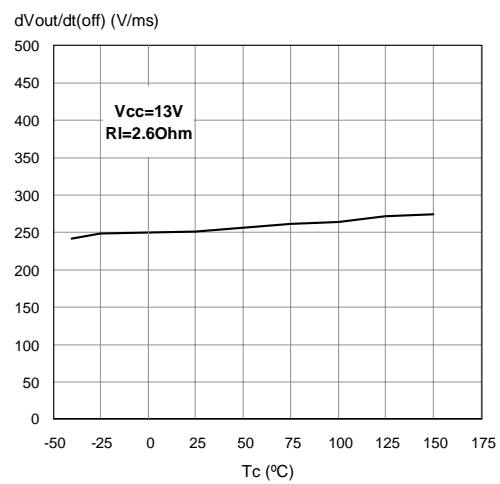
I_{LIM} Vs T_{case}



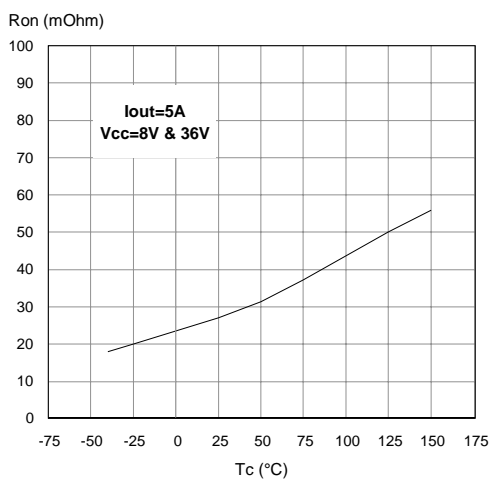
Turn-on Voltage Slope



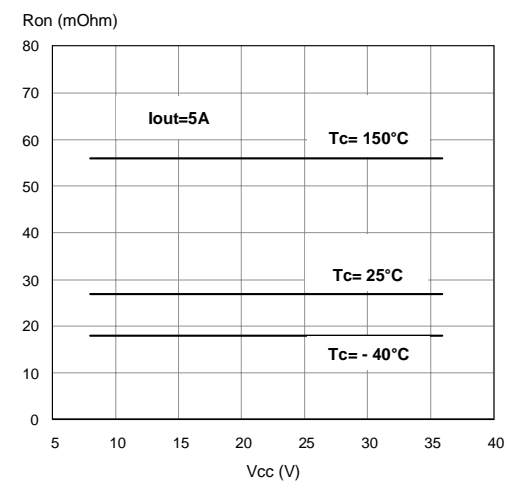
Turn-off Voltage Slope



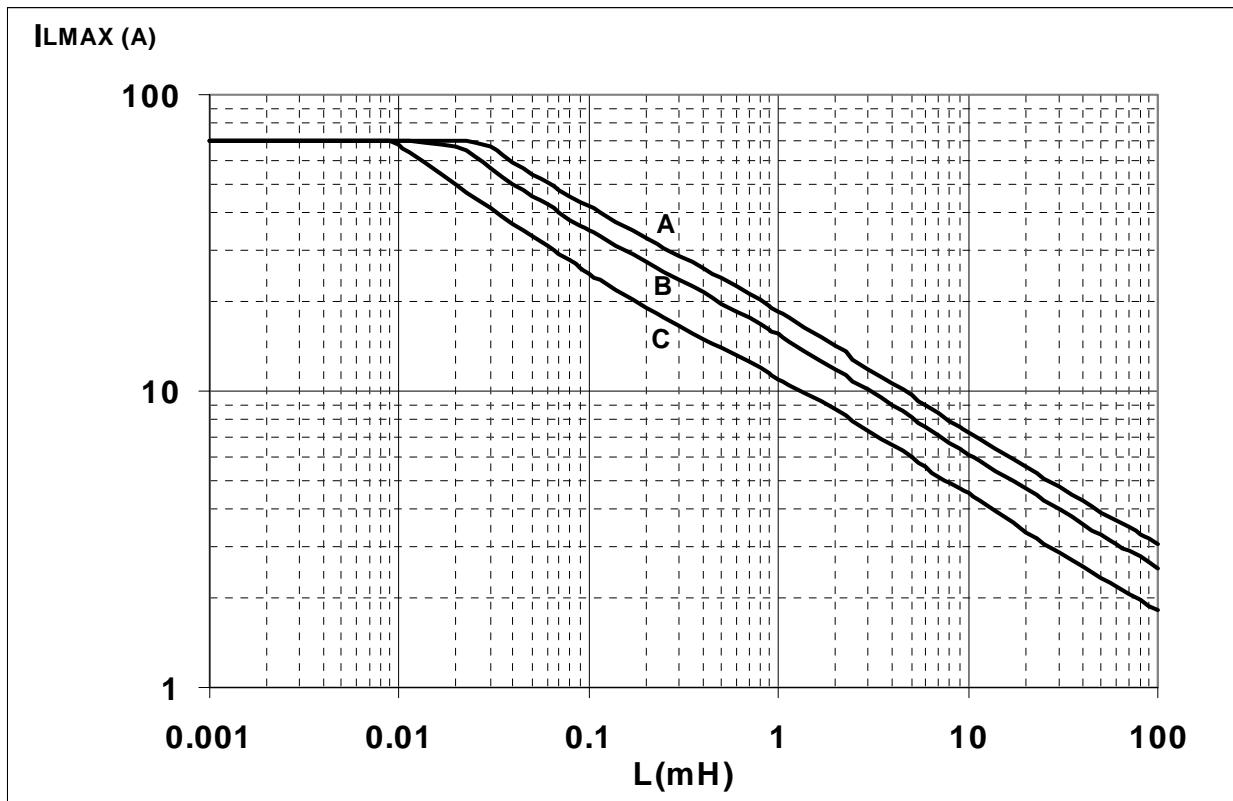
On State Resistance Vs T_{case}



On State Resistance Vs V_{CC}



Maximum turn off current versus load inductance



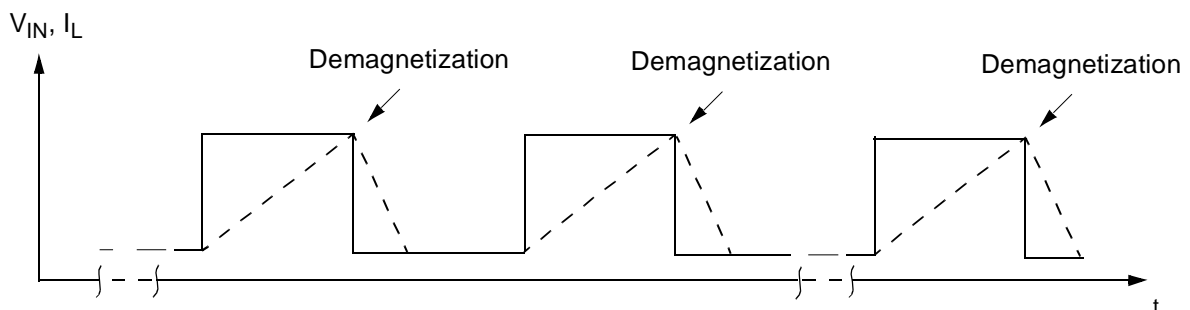
- A = Single Pulse at $T_{Jstart}=150^{\circ}C$
- B= Repetitive pulse at $T_{Jstart}=100^{\circ}C$
- C= Repetitive Pulse at $T_{Jstart}=125^{\circ}C$

Conditions:

$V_{CC}=13.5V$

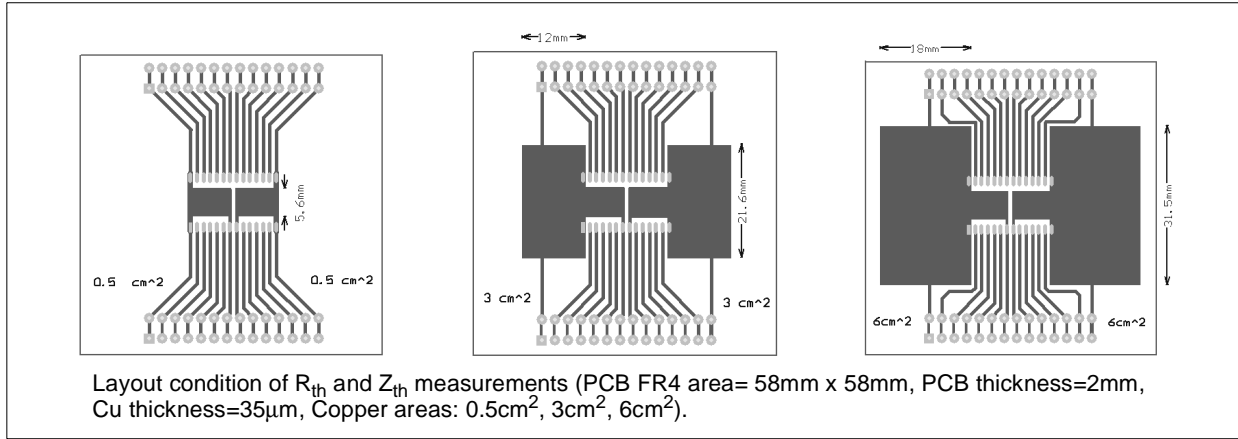
Values are generated with $R_L=0\Omega$

In case of repetitive pulses, T_{jstart} (at beginning of each demagnetization) of every pulse must not exceed the temperature specified above for curves B and C.



SO-28 DOUBLE ISLAND THERMAL DATA

SO-28 Double island PC Board

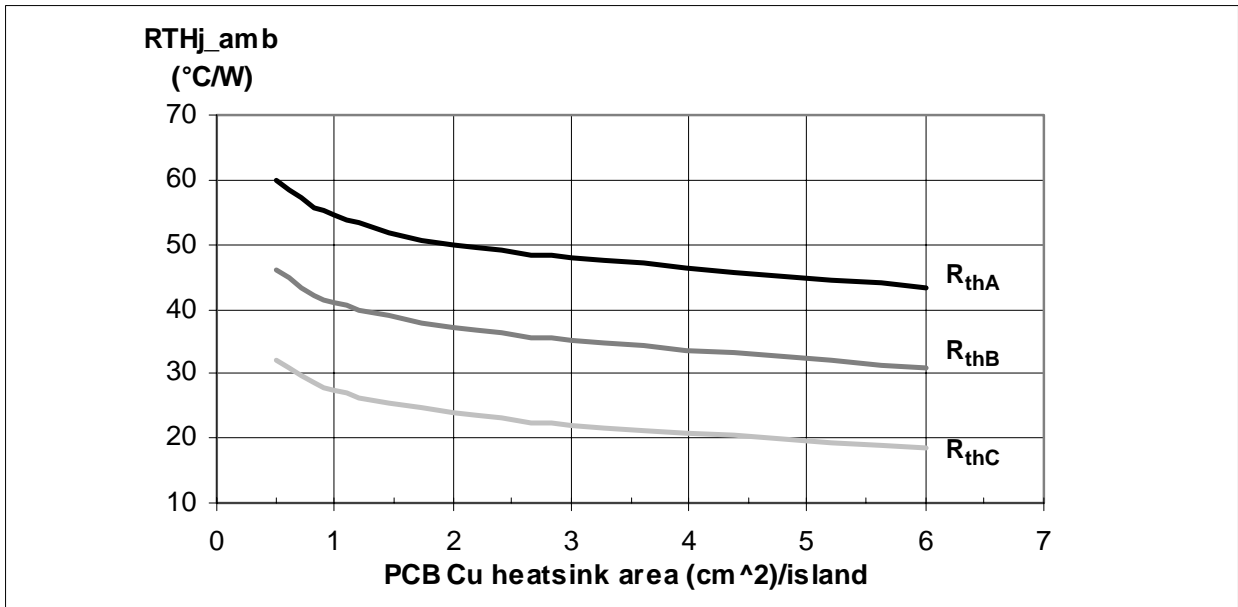


Thermal calculation according to the PCB heatsink area

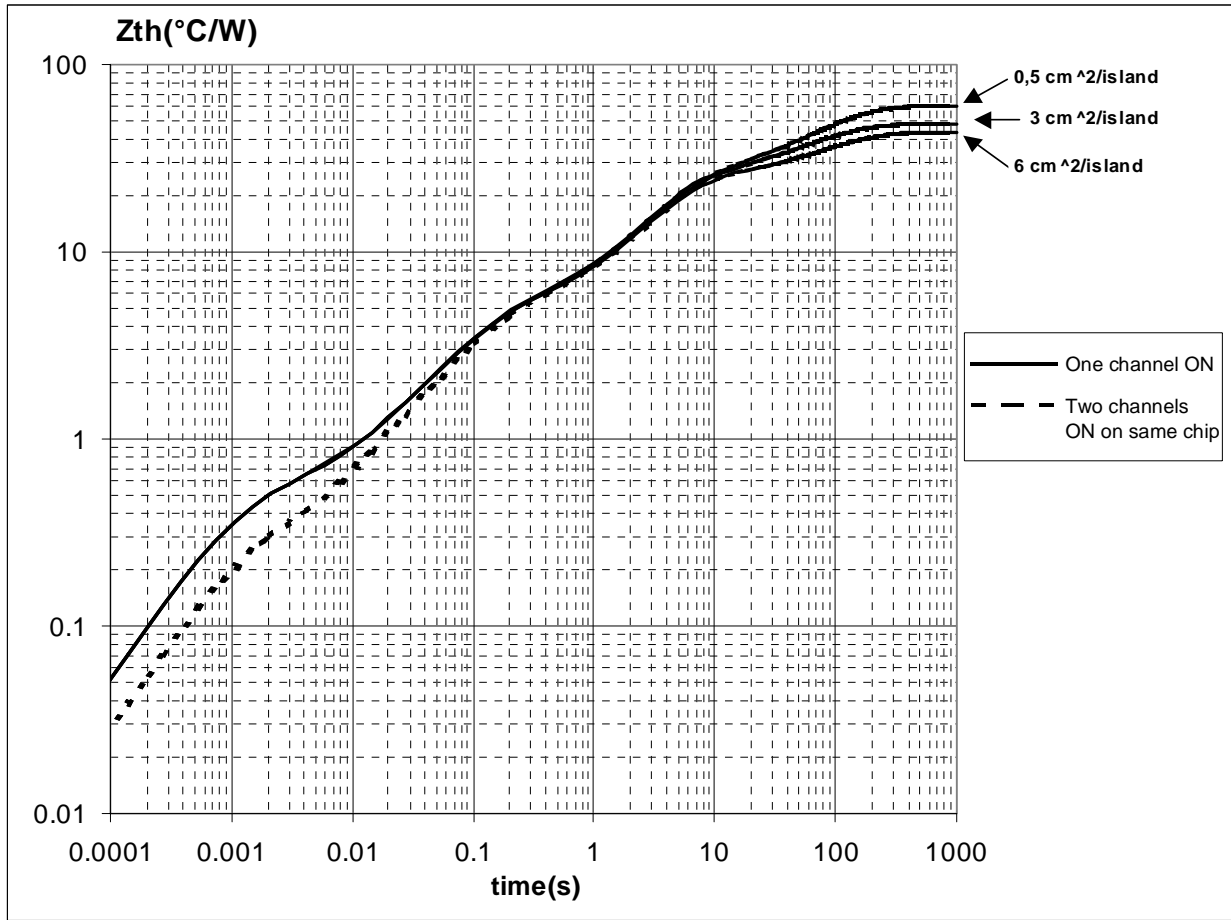
Chip 1	Chip 2	T_{jchip1}	T_{jchip2}	Note
ON	OFF	$R_{thA} \times P_{dchip1} + T_{amb}$	$R_{thC} \times P_{dchip1} + T_{amb}$	
OFF	ON	$R_{thC} \times P_{dchip2} + T_{amb}$	$R_{thA} \times P_{dchip2} + T_{amb}$	
ON	ON	$R_{thB} \times (P_{dchip1} + P_{dchip2}) + T_{amb}$	$R_{thB} \times (P_{dchip1} + P_{dchip2}) + T_{amb}$	$P_{dchip1} = P_{dchip2}$
ON	ON	$(R_{thA} \times P_{dchip1}) + R_{thC} \times P_{dchip2} + T_{amb}$	$(R_{thA} \times P_{dchip2}) + R_{thC} \times P_{dchip1} + T_{amb}$	$P_{dchip1} \neq P_{dchip2}$

R_{thA} = Thermal resistance Junction to Ambient with one chip ON
 R_{thB} = Thermal resistance Junction to Ambient with both chips ON and $P_{dchip1} = P_{dchip2}$
 R_{thC} = Mutual thermal resistance

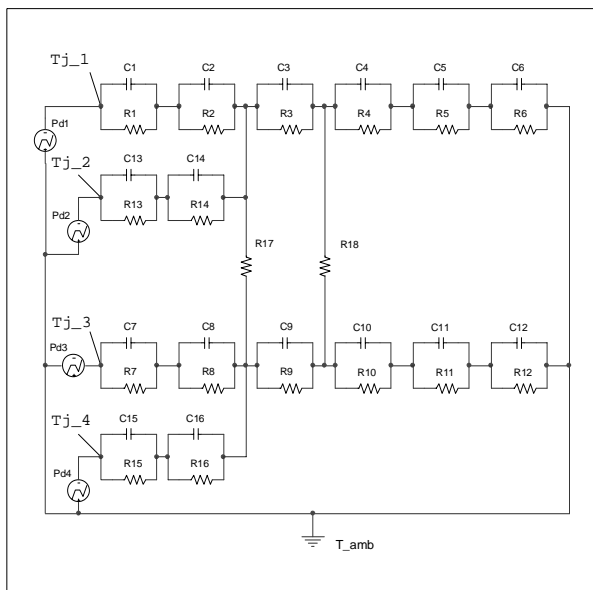
$R_{thj-amb}$ Vs. PCB copper area in open box free air condition



SO-28 Thermal Impedance Junction Ambient Single Pulse



Thermal fitting model of a four channels HSD in SO-28



Pulse calculation formula

$$Z_{TH\delta} = R_{TH} \cdot \delta + Z_{THtp}(1 - \delta)$$

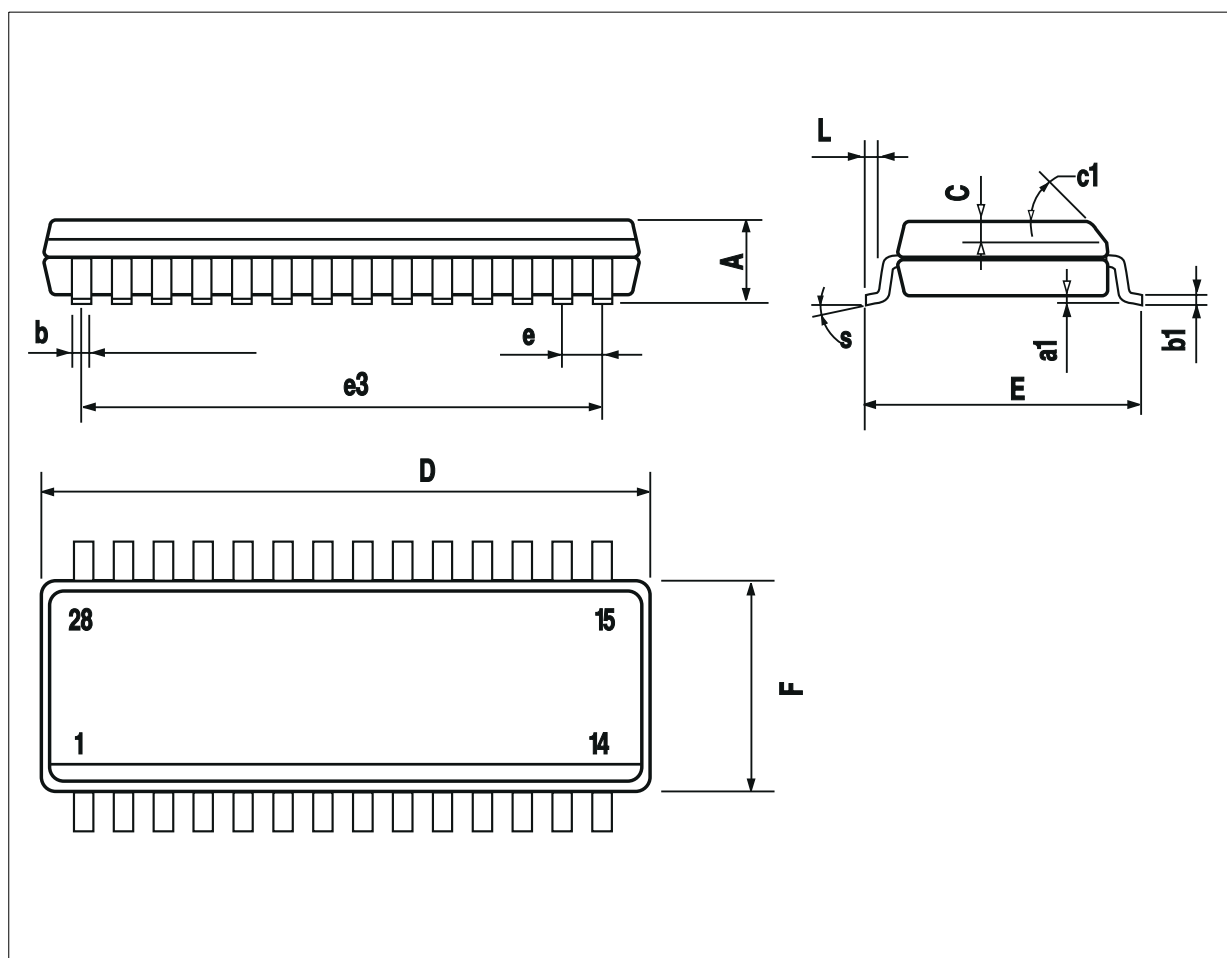
where $\delta = t_p / T$

Thermal Parameter

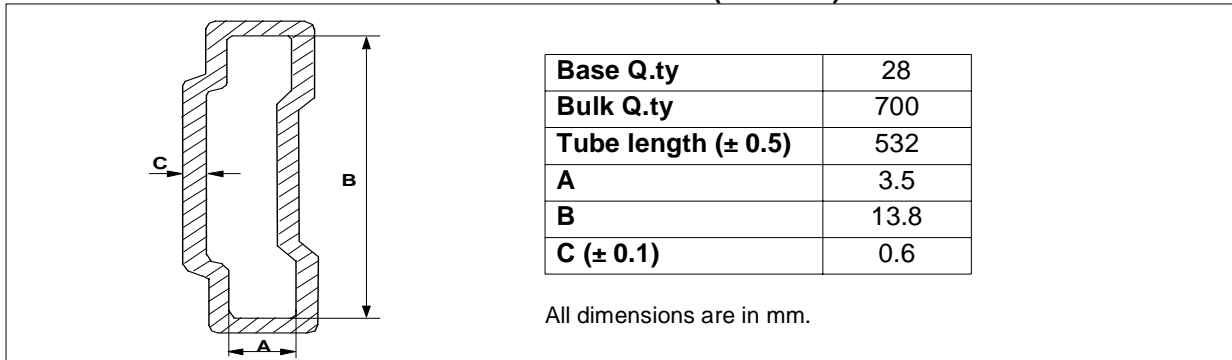
Area/island (cm ²)	0.5	6
R1=R7=R13=R15 (°C/W)	0.05	
R2=R8=R14=R16 (°C/W)	0.3	
R3=R9 (°C/W)	3.4	
R4=R10 (°C/W)	11	
R5=R11 (°C/W)	15	
R6=R12 (°C/W)	30	13
C1=C7=C13=C15 (W.s/°C)	0.001	
C2=C8=C14=C16 (W.s/°C)	5.00E-03	
C3=C9 (W.s/°C)	1.00E-02	
C4=C10 (W.s/°C)	0.2	
C5=C11 (W.s/°C)	1.5	
C6=C12 (W.s/°C)	5	8
R17=R18 (°C/W)	150	

SO-28 MECHANICAL DATA

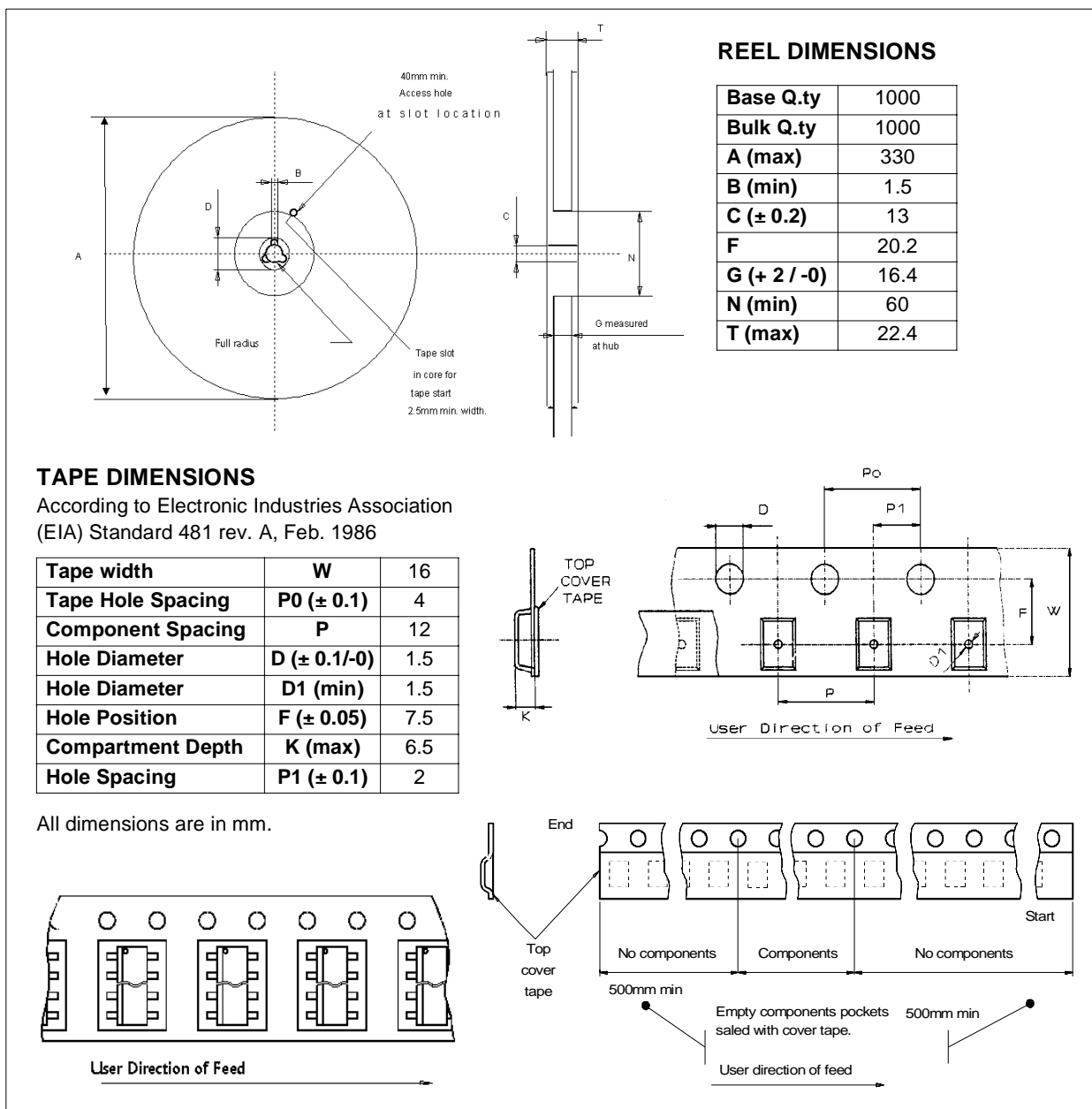
DIM.	mm.			inch		
	MIN.	TYP	MAX.	MIN.	TYP.	MAX.
A			2.65			0.104
a1	0.10		0.30	0.004		0.012
b	0.35		0.49	0.013		0.019
b1	0.23		0.32	0.009		0.012
C		0.50			0.020	
c1	45 (typ.)					
D	17.7		18.1	0.697		0.713
E	10.00		10.65	0.393		0.419
e		1.27			0.050	
e3		16.51			0.650	
F	7.40		7.60	0.291		0.299
L	0.40		1.27	0.016		0.050
S	8 (max.)					



SO-28 TUBE SHIPMENT (no suffix)



TAPE AND REEL SHIPMENT (suffix "13TR")



REVISION HISTORY

Date	Revision	Description of Changes
Jul. 2004	1	<ul style="list-style-type: none">- Current and voltage convention update (page 3).- "Configuration diagram (top view) & suggested connections for unused and n.c. pins" insertion (page 3).- 6 cm² Cu condition insertion in Thermal Data table (page 4).- V_{CC} - OUTPUT DIODE section update (page 4).- PROTECTIONS note insertion (page 6).- Revision History table insertion (page 18).- Disclaimers update (page 19).

Information furnished is believed to be accurate and reliable. However, STMicroelectronics assumes no responsibility for the consequences of use of such information nor for any infringement of patents or other rights of third parties which may result from its use. No license is granted by implication or otherwise under any patent or patent rights of STMicroelectronics. Specifications mentioned in this publication are subject to change without notice. This publication supersedes and replaces all information previously supplied. STMicroelectronics products are not authorized for use as critical components in life support devices or systems without express written approval of STMicroelectronics.

The ST logo is a trademark of STMicroelectronics.
All other names are the property of their respective owners

© 2004 STMicroelectronics - Printed in ITALY- All Rights Reserved.

STMicroelectronics GROUP OF COMPANIES

Australia - Belgium - Brazil - Canada - China - Czech Republic - Finland - France - Germany - Hong Kong - India - Israel - Italy - Japan -
Malaysia - Malta - Morocco - Singapore - Spain - Sweden - Switzerland - United Kingdom - United States
<http://www.st.com>