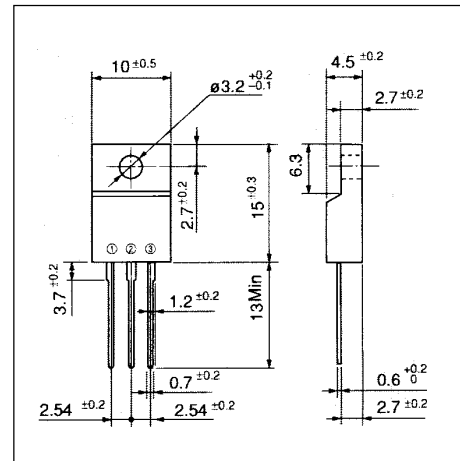


# YG803C04R (40V / 15A)

[200510]

## Schottky-Barrier Diode

### Outline drawings, mm



Package : TO-220F  
Epoxy resin UL : V-0

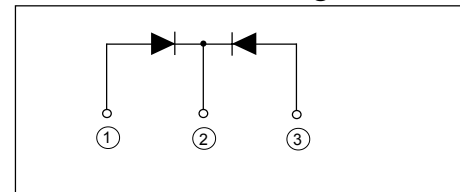
### Features

- Low VF
- Center tap connection

### Applications

- High frequency operation
- DC-DC converters
- AC adapter

### Connection diagram



### Maximum ratings and characteristics

- Maximum ratings

Item	Symbol	Conditions	Rating	Unit
Repetitive peak surge reverse voltage	$V_{RSM}$	$t_w=500\text{ns}$ , $\text{duty}=1/40$	40	V
Repetitive peak reverse voltage	$V_{RRM}$		40	V
Isolating voltage	$V_{ISO}$	Terminals-to-Case, AC. 1min.	1500	V
Average output current	$I_o$	Square wave, $\text{duty}=1/2$ $T_c=92^\circ\text{C}$	15 *	A
Non-repetitive surge current	$I_{FSM}$	Sine wave 10ms	120	A
Operating junction temperature	$T_j$		+150	$^\circ\text{C}$
Storage temperature	$T_{stg}$		-40 to +150	$^\circ\text{C}$

\* Out put current of center tap full wave connection

- Electrical characteristics (at  $T_a=25^\circ\text{C}$  Unless otherwise specified)

Item	Symbol	Conditions	Max.	Unit
Forward voltage **	$V_F$	$I_F=7\text{A}$	0.55	V
Reverse current **	$I_R$	$V_R=V_{RRM}$	3.0	mA
Thermal resistance	$R_{th(j-c)}$	Junction to case	3.5	$^\circ\text{C/W}$

\*\*Rating per element

- Mechanical characteristics

Mounting torque	Recommended torque	0.3 to 0.5	N·m
Approximate mass		2	g

■ Characteristics

