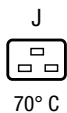


IEC Appliance Outlet J, Snap-in/Screw-on Mounting, Front Side, Solder or Quick-connect Terminal

**Description**

- Panel Mount:
Snap-in or screw-on mounting, from front side
- 1 Function:
Connector, Pin temperature 70 °C Protection class I
- Solder terminals or quick connect terminals Substitute for type 0723

Approvals

- UL License Number: E103791

Characteristics

- Qualified for use in equipment according IEC/EN 60950

Other versions on request

- Other panel thickness
- For protection class II
- Types for enhanced glow wire test requirements acc. IEC 60695-2-11 to -13 for the use in unattended household equipment acc. IEC 60335-1

References

[General Product Information](#)

Weblinks

[Approvals](#), [RoHS](#), [CHINA-RoHS](#), [Mating Connectors](#), [Distributor-Stock-Check](#), [Accessories](#)

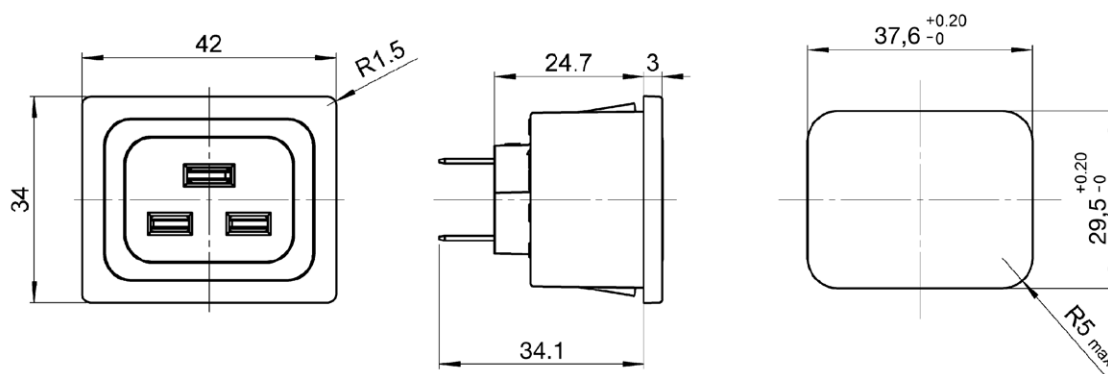
Technical Data

Ratings IEC	16A / 250VAC; 50Hz
Ratings UL/CSA	20A / 250VAC; 60Hz
Dielectric Strength	> 2.5kVAC between L-N > 3kVAC between L/N-PE (1 min/50Hz)
Allowable Operation Temp.	-25 °C to 70 °C
Protection Class	Suitable for appliances with protection class 1 or 2 acc. to IEC 61140
Terminal	Solder terminals or quick connect terminals
Panel Thickness s	Screw: max 8 mm Mounting screw torque max 0.5Nm Snap-in: 0.8 mm to 3 mm
Material: Housing	Thermoplastic, black, UL 94V-0

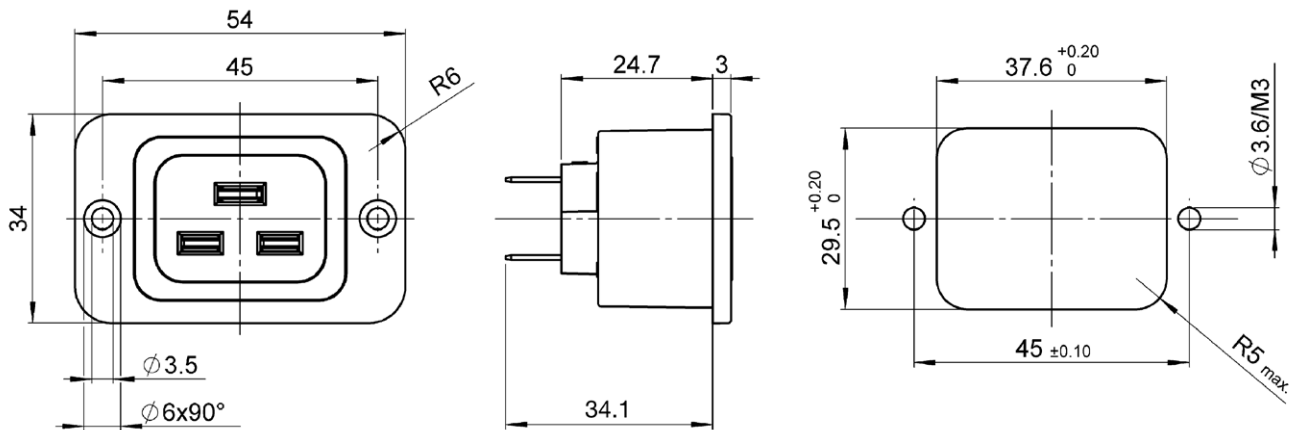
Appliance Outlet	J acc. to IEC/EN 60320-2-2 UL 498, CSA C22.2 no. 42 (for cold conditions) pin-temperature 70 °C, 16A, Protection Class 1
------------------	---

Dimensions

Snap-in mounting from front side



Screw-on mounting from front side



Variants

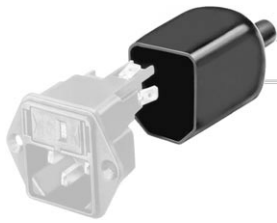
Panel mounting	Panel Thickness s [mm]	Terminal	Protection Class	Order Number
Screw	-	Quick connect terminals 6.3 x 0.8 mm	1	4797.0000
Screw	-	Solder terminals up to 2.5 mm ²	1	4797.3000
Snap-in	1	Quick connect terminals 6.3 x 0.8 mm	1	4797.0010
Snap-in	1.2	Quick connect terminals 6.3 x 0.8 mm	1	4797.0012
Snap-in	1.5	Quick connect terminals 6.3 x 0.8 mm	1	4797.0015
Snap-in	2	Quick connect terminals 6.3 x 0.8 mm	1	4797.0020
Snap-in	2.5	Quick connect terminals 6.3 x 0.8 mm	1	4797.0025
Snap-in	3	Quick connect terminals 6.3 x 0.8 mm	1	4797.0030
Snap-in	1	Solder terminals up to 2.5 mm ²	1	4797.3010
Snap-in	1.2	Solder terminals up to 2.5 mm ²	1	4797.3012
Snap-in	1.5	Solder terminals up to 2.5 mm ²	1	4797.3015
Snap-in	2	Solder terminals up to 2.5 mm ²	1	4797.3020
Snap-in	2.5	Solder terminals up to 2.5 mm ²	1	4797.3025
Snap-in	3	Solder terminals up to 2.5 mm ²	1	4797.3030

Articles for enhanced glow wire test requirements acc. IEC 60695-2-11 to -13 can be ordered with ending ".15" (xxxx.xxx.15). They are suitable for the use in unattended household equipment acc. IEC 60335-1.

Packaging unit 50 Pcs

Accessories

Description



Assorted Covers
Rear Cover

0859.0075



Cord retaining kits
Cord retaining strain relief

Countersunk, J

4700.0009

Flat head, L

4700.0011

Mating Inlets/Plugs

Category / Description

[Plug Overview complete](#)



IEC Plug I, Cord Connector (Rewireable), Straight

0106

IEC Plug I, Cord Connector (Rewireable), Angled

1611

IEC Plug I, Cord Connector (Rewireable), Straight

1612

IEC Plug I, Cord Connector (Rewireable), Angled

4789

IEC Plug I, Cord Connector (Rewireable), Straight

4796

[Plug further types to 4797](#)