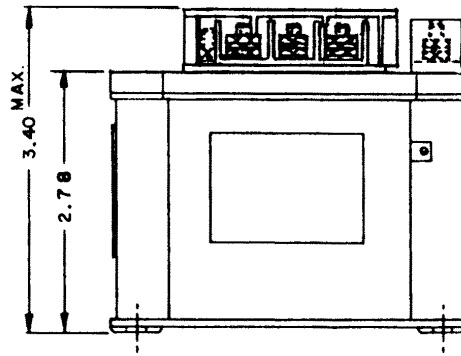
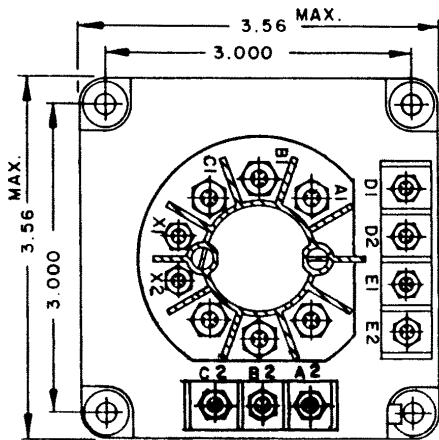


**E-145Z 2PST, 25 Amps, 120/208 VAC**

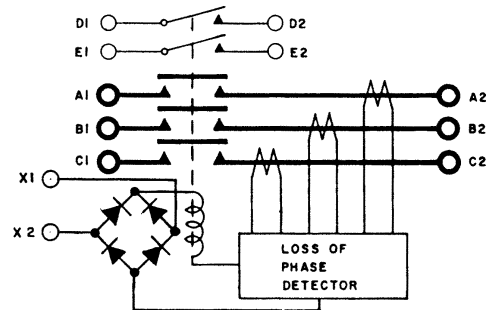
**Features:**

- 2PST Main Contacts
- Phase Loss Detector
- 120/208 VAC
- 25 Amps
- High Reliability
- Meets many requirements of MIL-R-6106



Dimensions for this product are expressed in inches. Multiply values by 25.4 for millimeters.

**CONTACTOR CONFIGURATION**



Notes:

**PRODUCT SPECIFICATIONS**

Construction	Gasket Sealed Cover
Nominal Rating	120V/208V, 400 Hz
Main Contact Rating	25 Amps Motor Load
Auxiliary Contacts	2PST N.O.
Auxiliary Rating	5 Amps, 28 VDC or 120/208 VAC
Lamp	2 Amps
Weight (Estimated)	1 Lb.8 Oz.
Operation:	Main & Auxiliary Contacts Close with Application of 115 VAC to Terminals X1 & X2 and Open on Loss of Any Phase.

For factory-direct application assistance, contact the HARTMAN product team at (419) 521-9500, Fax (419) 526-2749.

© 2004 by Tyco Electronics Corporation. All Rights Reserved. HARTMAN and TYCO are trademarks.