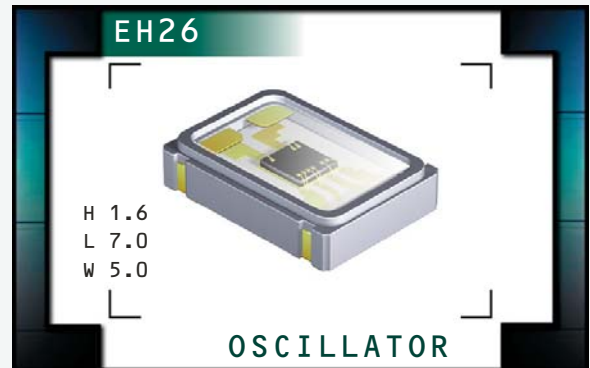


EH26 Series

- RoHS Compliant (Pb-Free)
- Ceramic SMD package
- 3.3V supply voltage
- LVHCMOS output
- Stability to 20ppm
- Available on tape and reel



NOTES

ELECTRICAL SPECIFICATIONS

Frequency Range		1.000MHz to 155.520MHz
Operating Temperature Range		0°C to 70°C or -40°C to 85°C
Storage Temperature Range		-55°C to 125°C
Supply Voltage (V_{DD})		3.3V _{DC} ±0.3V _{DC}
Input Current		35mA Maximum (Unloaded)
Frequency Tolerance / Stability	Inclusive of all conditions: Calibration Tolerance at 25°C, Frequency Stability over the Operating Temperature Range, Supply Voltage Change, Output Load Change, First Year Aging at 25°C, Shock, and Vibration	±100ppm, ±50ppm, ±25ppm, or ±20ppm Maximum
Output Voltage Logic High (V_{OH})		2.7V _{DC} Minimum I _{OH} = -8mA
Output Voltage Logic Low (V_{OL})		0.5V _{DC} Maximum I _{OL} = +8mA
Rise Time / Fall Time	≤70.000MHz 20% to 80% of Waveform w/HCMOS Load >70.000MHz 20% to 80% of Waveform w/HCMOS Load	6 nSeconds Maximum 4 nSeconds Maximum
Load Drive Capability	≤70.000MHz >70.000MHz	30pF HCMOS Load Maximum 15pF HCMOS Load Maximum
Duty Cycle (at V_{DD}=3.3V_{DC})	at 50% of Waveform	50 ±10(%) (Standard) or 50 ±5(%) (Optional)
Tri-State Input Voltage	V _{IH} : No Connection or ≥2.2V _{DC} V _{IL} : ≤0.8V _{DC}	Enables Output Disables Output: High Impedance
Aging (at 25°C)		±5ppm / year Maximum
Start Up Time		10mSeconds Maximum
Period Jitter: Absolute		±250pSec Maximum, ±100pSec Typical
Period Jitter: One Sigma		±50pSec Maximum, ±40pSec Typical

MANUFACTURER
ECLIPTEK CORP.

CATEGORY
OSCILLATOR

SERIES
EH26

PACKAGE
CERAMIC

VOLTAGE
3.3V

CLASS
OS48

REV. DATE
02/04

PART NUMBERING GUIDE

EH26 00 ET TS - 24.000M TR

FREQUENCY TOLERANCE / STABILITY

00=±100ppm Maximum (Standard), 45=±50ppm Maximum, 25=±25ppm Maximum, 20=±20ppm Maximum

OPERATING TEMP. RANGE

Blank=0°C to 70°C or
ET=-40°C to 85°C

DUTY CYCLE

Blank=50 ±10%(Standard)
T=50 ±5(%)

AVAILABLE OPTIONS

Blank=Bulk (Standard)
TR=Tape and Reel

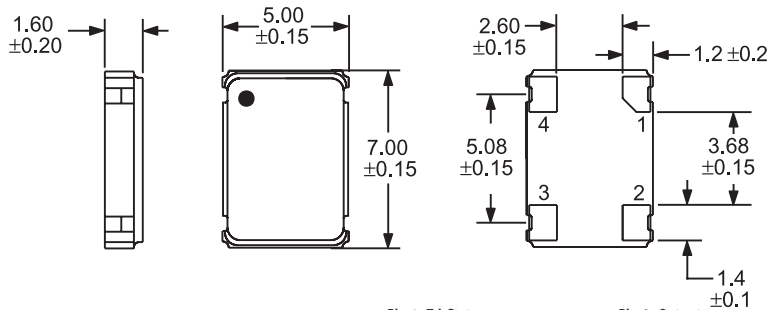
FREQUENCY

OUTPUT CONTROL FUNCTION

TS=Tri-State

MECHANICAL DIMENSIONS

ALL DIMENSIONS IN MILLIMETERS

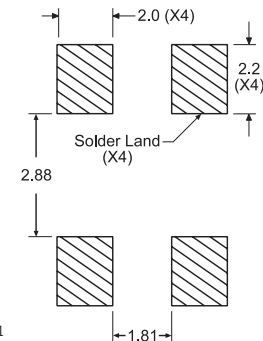


Pin 1: Tri-State
Pin 2: Case Ground

Pin 3: Output
Pin 4: Supply Voltage

SUGGESTED SOLDER PAD LAYOUT

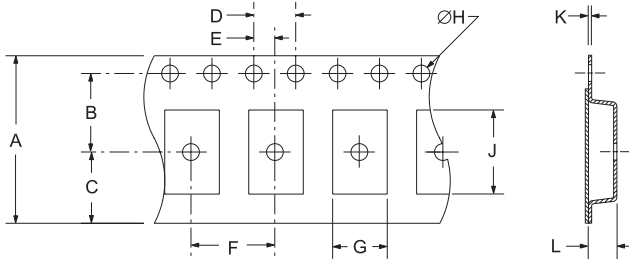
ALL DIMENSIONS IN MILLIMETERS



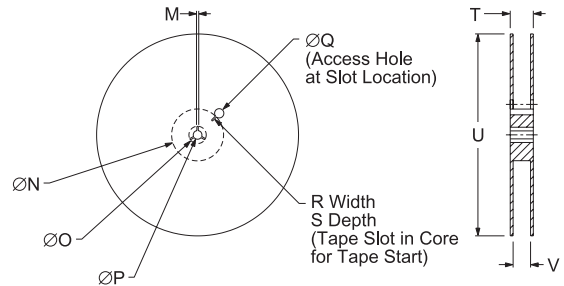
Tolerances= ±0.1

TAPE AND REEL DIMENSIONS

ALL DIMENSIONS IN MILLIMETERS



REEL	A	B	C	D	E
	16+3-1	7.5±1	6.75±1	4±1	2±1
F	G	H	J	K	L
8±1	B0*	1.5+1-0	A0*	.3±.05	K0*



REEL	M	N	O	P	Q
	1.5 MIN	50 MIN	20.2 MIN	13±.2	40 MIN
R	S	T	U	V	QTY/REEL
2.5 MIN	10 MIN	22.4 MAX	360 MAX	16.4+2-0	1,000

*Compliant to EIA 481A

ENVIRONMENTAL/MECHANICAL SPECIFICATIONS

Characteristic	Specification
Fine Leak Test	MIL-STD-883, Method 1014, Condition A
Gross Leak Test	MIL-STD-883, Method 1014, Condition C
Mechanical Shock	MIL-STD-202, Method 213, Condition C
Vibration	MIL-STD-883, Method 2007, Condition A
Lead Integrity	MIL-STD-883, Method 2004
Solderability	MIL-STD-883, Method 2002
Temperature Cycling	MIL-STD-883, Method 1010
Resistance to Soldering Heat	MIL-STD-883, Method 210
Resistance to Solvents	MIL-STD-883, Method 215

MARKING SPECIFICATIONS

Line 1: ECLIPTEK

Line 2: XX.XXX M
Frequency in MHz (5 Digits Maximum + Decimal)

Line 3: P XX Y ZZ
 P: Week of Year
 XX: Last Digit of Year
 Y: Ecliptek Manufacturing Identifier
 ZZ: Configuration Designator

MANUFACTURER	CATEGORY	SERIES	PACKAGE	VOLTAGE	CLASS	REV. DATE
ECLIPTEK CORP.	OSCILLATOR	EH26	CERAMIC	3.3V	OS48	02/04



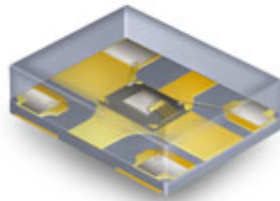
ECLIPTEK[®]
CORPORATION

Ecliptek
MEMS Oscillators

Ecliptek MEMS Oscillators

- Lower Cost, Quicker Delivery Alternative!

The EMO™ family of oscillators offers exceptional performance, shorter delivery and significant cost advantages by utilizing a revolutionary new MEMS resonator technology. This important innovation enables Ecliptek to offer the ultimate in flexibility with delivery of 2 days for samples and 5 to 10 days for quantities up to 10,000 pieces on tape and reel.



Supply Voltage (V _{DC})	Package Dimensions (all dimensions in millimeters)			
	5 x 7	3.2 x 5	2.5 x 3.2	2 x 2.5
1.8	EMK11	EMK21	EMK31	EMK41
2.5	EMK12	EMK22	EMK32	EMK42
3.3	EMK13	EMK23	EMK33	EMK43

Would you like to request EMO™ samples or a quotation now?

[Click Here](#)

Want to learn more about the Ecliptek EMO™ family of MEMS oscillators?

[Click Here](#)

Product Features:

- Improved frequency stability through the use of a MEMS resonator
- 1.8VDC, 2.5VDC, or 3.3VDC supply voltages
- Frequency range of 1MHz to 125MHz, HCMOS output
- Frequency stability to ±50ppm, -40°C to +85°C operation
- Tri-state or power down functions
- RoHS compliant
- High temperature +260°C reflow capability
- EIA compliant tape and reel packaging
- Four SMD package sizes

If you have any questions or would like additional information regarding the Ecliptek EMO™ family of oscillators, please contact our [Sales Department](#).