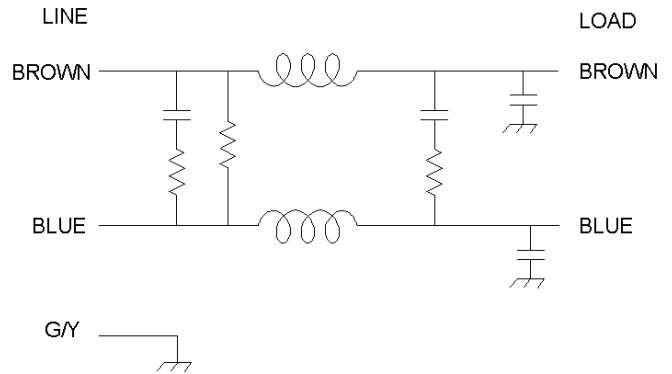


Operating voltage = 125 / 250 Vac  
 Operating current = 3 Amps  
 Operating frequency = 50/60 Hz  
 Operating temperature = -20 to 50°C  
 Diel. withstanding (line-case) = 1500V~ for 1min  
 Diel. Withstanding = (line-line) = 1500Vdc for 1 min  
 Leakage current = 1.2 mamp Max. @ 250 V / 50Hz  
 Max residual voltage after 1 sec = 32 V Max  
 Agency approvals = UL / CSA

Order p/n: FF-1069A-3B



The FF-1069A-3B was originally developed to use with units such as the solid state florescent ballasts.

The filter will also work other solid state controllers where compliance to FCC requirements is a requirement.

JMK has a 6 amp and a 10 amp model available in this series.

This filter is also available with 0.25 inch tab terminals.

