

# LED Module Specifications

## PRODUCT SPECIFICATION

**Model No.: FYLM-1008UWC-03-12-12V-W**

Applications:
<ul style="list-style-type: none"> <li>■ Channel Letters</li> <li>■ Lighting source for shop windows</li> <li>■ Indoor Decoration Lighting</li> <li>■ Advertising Signs</li> <li>■ Replacement for Neon</li> </ul>



CUSTOMER APPROVED SIGNATURES	APPROVED BY	CHECKED BY	PREPARED BY

**NINGBO FORYARD OPTOELECTRONICS CO.,LTD.**

**Add:**NO.115 Qixin Road Ningbo Zhejiang China

**Zip:**315051

**Tel:** 0086-574-87933652 87927870 87922206

**Fax:** 0086-574-87927917

**E-mail:**Sales@foryard.com (General)

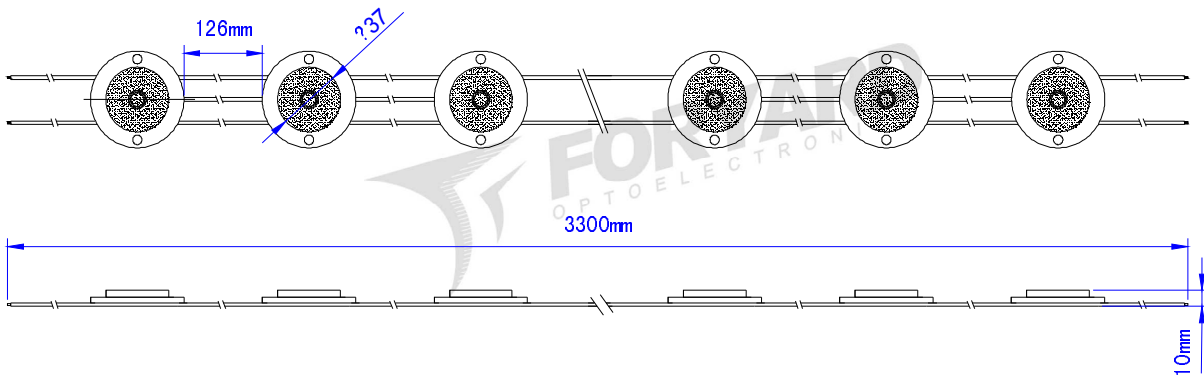
[Http://www.foryard.com](http://www.foryard.com)

**Model No.: FYLM-1008UWC-03-12-12V-W**

**Photo**



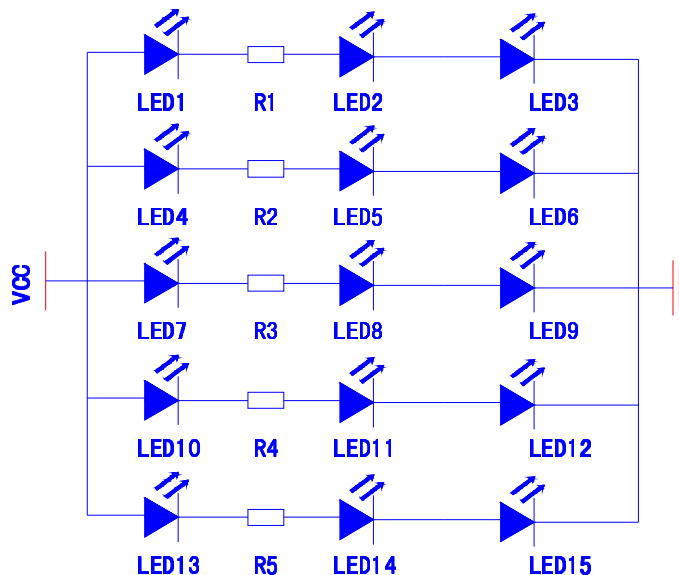
**Drawing (1 meter)**



**Notes:**

1. All dimensions are millimeters.
2. Tolerance is  $\pm 1$ mm unless otherwise specified.
3. Specifications are subject to change without notice.
4. Dimension: L80\*W20\*H12mm.without prior notice.
5. Can be cut or connected every three LEDs.

**Circuit Diagram(a single group)**



Model No.: FYLM-1008UWC-03-12-12V-W

■ Rating Electrical/Optical Characteristics(1 Group)

Item	White
Operation Voltage(V)	DC12
Power Dissipation(W)	3.6
Input Current(mA)	300
Wavelength(nm)	CCT:5000K-6500K
Single LED Luminous Intensity(MCD)	1200
Luminous Flux(lm)	210
Angle(°)	120
Operation Temperature(°C)	-20~60
single LED Operating Current(mA)	300
LED Quantity(pcs)	3
Dimension:(mm)	D3.7*H10.5
Life Time(hrs)	50000
net weight:(g)	78
Approval	CE (NO: E8 06 01 57489 001)

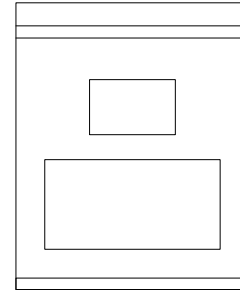
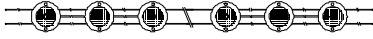
■ Rating Electrical/Optical Characteristics(5 Group)

Item	White
Power Dissipation	18W
Total Length	3.3m±0.1m
Luminous Flux(lm)	1050
Weight	390g

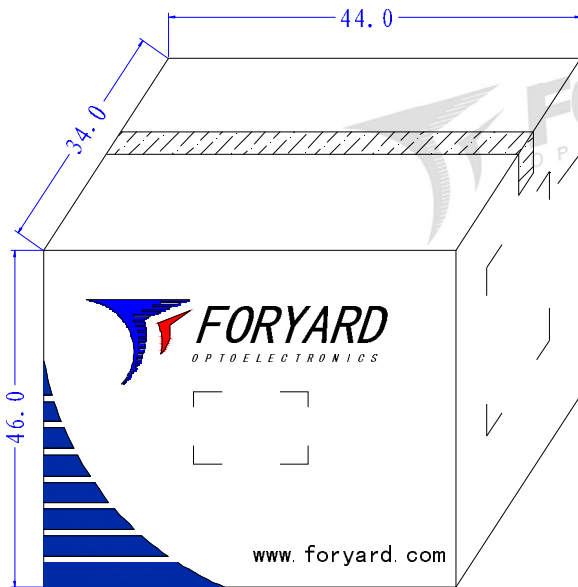
**Model No.: FYLM-1008UWC-03-12-12V-W**

**Package(5 meters)**

The backsides of all products will stick '3M' branded double-sided sticker with 10mm width.

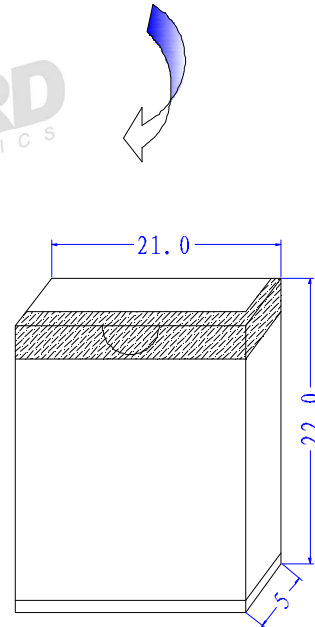
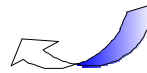


XPCS/Polybag



24Boxes/Carton

OUTSIDE LABEL



xPolybags/Box



OUTSIDE LABEL