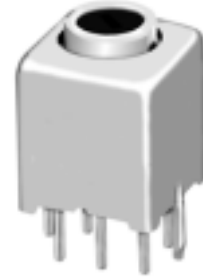
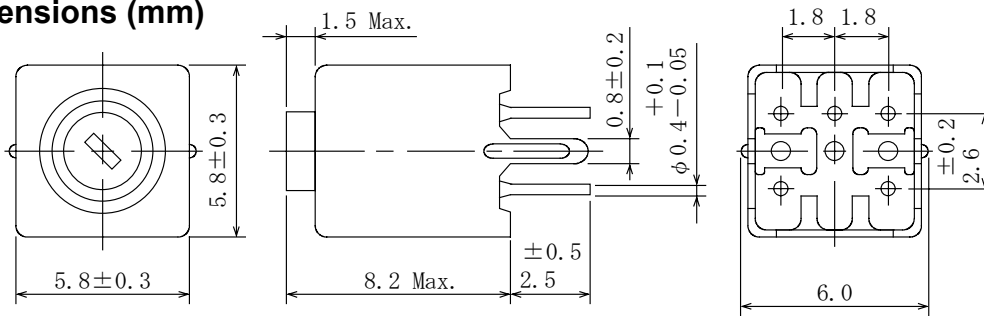


Type: QU57
◆ Product Description

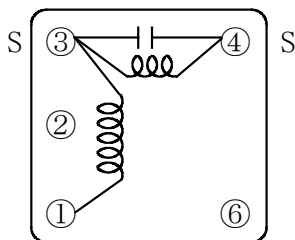
- 6.1×6.1mm Max.(L×W), 8.2mm Max. Height.
- Inductance:0.1~25μH Max.
- Operating frequency:15MHz Max.
- In addition to the reference versions of parameters shown here, custom designs are available to meet your exact requirements


◆ Feature

- Variable shielded type.
- Internally assembled condenser is available.
- Ideally used as quadrature detector coil.
- RoHS Compliance

◆ Dimensions (mm)


- * Dimension does not include solder used on coil.
- * Pin pitch should be measured at the root of terminal.
- * Dimensions without tolerance are approx.

◆ Connection (Bottom View)


“S” is winding start.

◆ Specification (Part No. S711499)

Item	Specification	Measuring Condition
Frequency (3-4)	10.7MHz±1% Variable	
Unloaded Qu (3-4)	20 Min.	10.7MHz
Capacity(Int.) (3-4)	100pF±10%	
Inductance (1-3)	21μH±10% Within	2.52MHz
Ext.stray capacity -12.5pF between (3-4) at measuring.		