

U Interface Transformer (2B1Q Coding Applications)

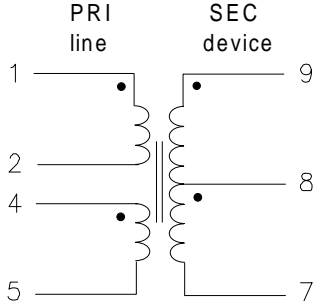
Designed for use with Motorola MC145472

| | |
|-------------------------------------|----------|
| Turns Ratio (± 3 %) (Line : Chip) | 2.00 : 1 |
|-------------------------------------|----------|

| PARAMETER | MIN. | MAX. | UNITS |
|---|------|------|------------------|
| Primary Inductance (Line Side) Pins 1 to 5 with 2 & 4 shorted. | 25.4 | 28.6 | mH |
| Primary DC Resistance | | 11.6 | ohms |
| Secondary DC Resistance | | 6.4 | ohms |
| Isolation (Hi-Pot) | 2000 | | V _{RMS} |
| DC Bias | | 60 | mA |
| Return Loss 10KHz & 25 KHz | 20 | | dB |
| Longitudinal Balance (281 Hz to 40 KHz) | 55 | | dB |

Flammability: Materials used in the production of these units meet requirements of UL94-VO and IEC 695-2-2 needle flame test.

Schematic Diagram



NOTE:

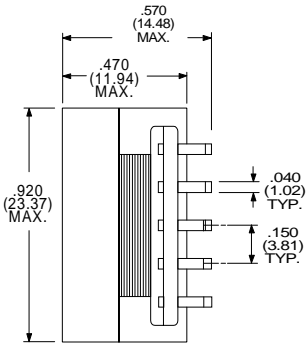
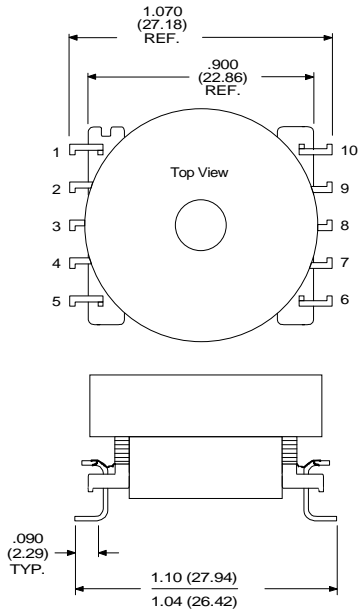
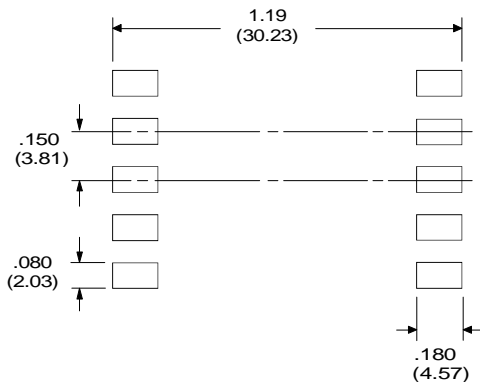
Operating Temp. Range -40°C to +85°C

Primary is Line Side (Pins 1,2,4,5)
Secondary is Chip Side (Pins 7,8,9)

Surge Voltage Capability

Metallic Voltage: 800 V peak, 10/560 μS

Longitudinal Voltage: 2400 V peak, 10/700 μS



Physical Dimensions inches (mm)

Notch Indicates Pin #1

| | |
|-----------------------|---------------|
| RHOMBUS P/N: T-13209G | |
| CUST P/N: | NAME: |
| DATE: 7/2/96 | SHEET: 1 of 1 |