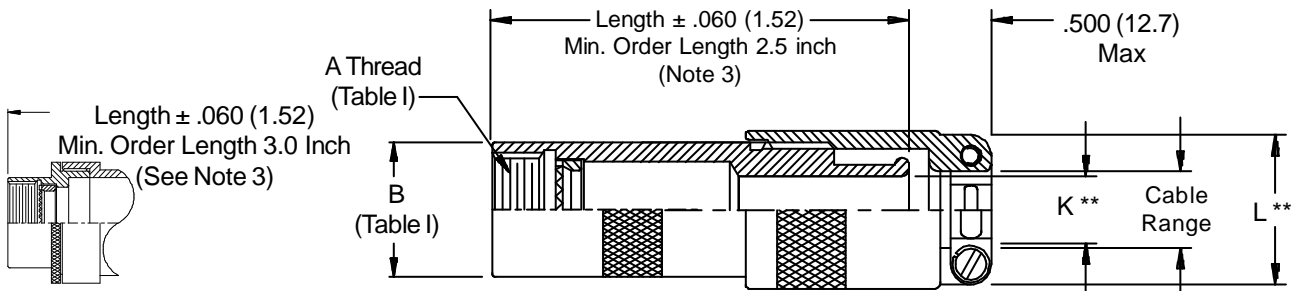
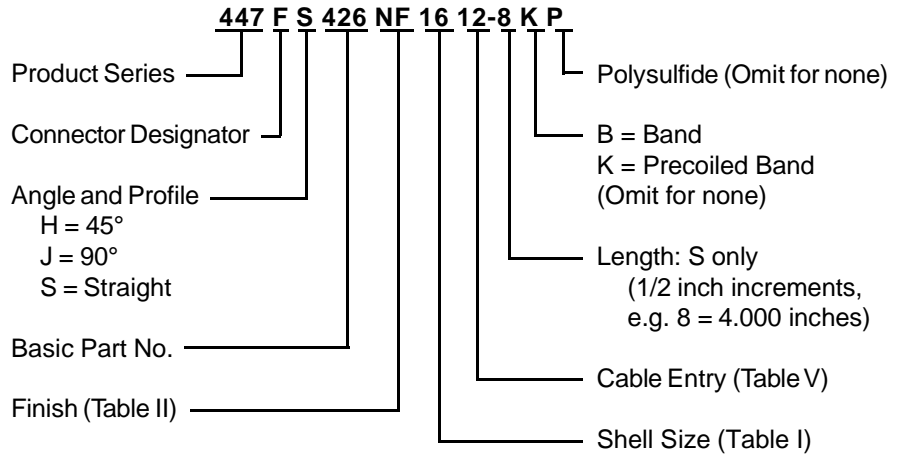


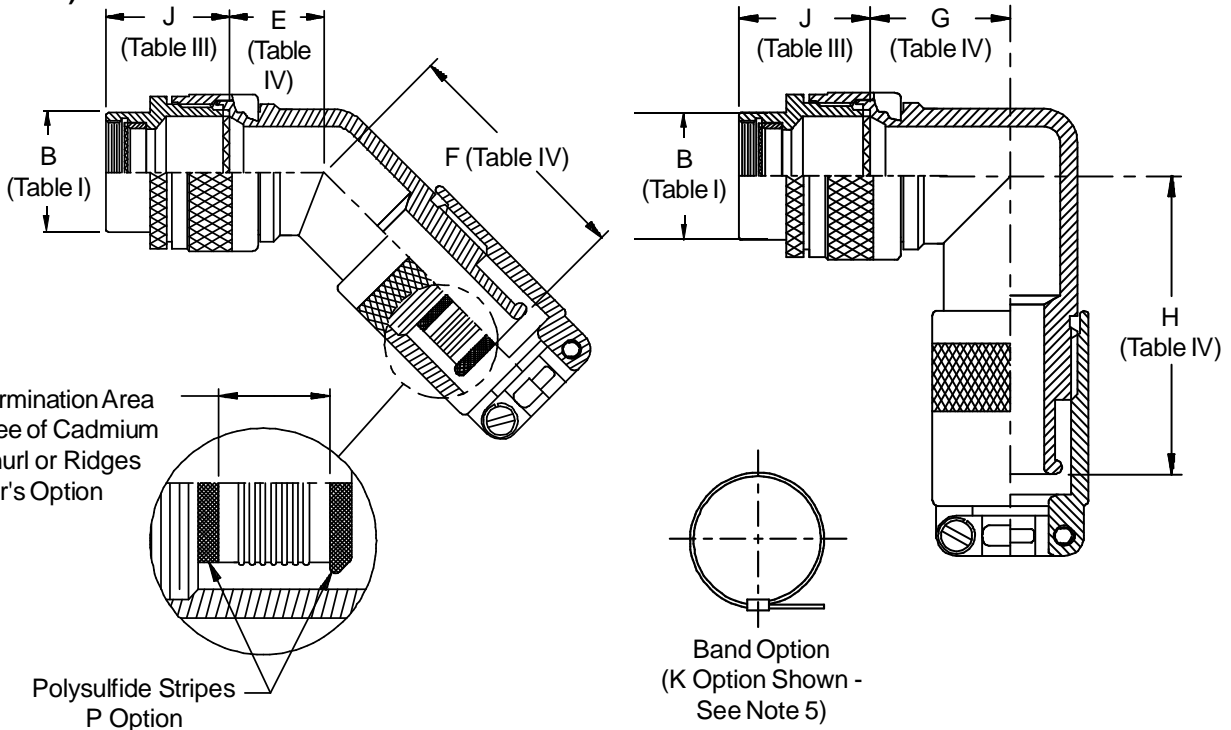
**CONNECTOR
DESIGNATORS
A-B*-C-D-E-F
G-H-J-K-L-S**

* Conn. Desig. B See Note 4
DIRECT COUPLING



**STYLE 2
(STRAIGHT
See Note 1)**

** (Table V)



See inside back cover fold-out or
pages 13 and 14 for Tables I and II.

TABLE III: FRONT ADAPTER			
Shell Size	J Max - Conn. Designator		
	A-E-F J-H-L-S	D-B-G-K	C
08/09	1.180 (30.0)	1.250 (31.8)	
10/11	1.180 (30.0)	1.250 (31.8)	
12/13	1.180 (30.0)	1.250 (31.8)	1.735 (44.1)
14/15	1.180 (30.0)	1.250 (31.8)	1.915 (48.6)
16/17	1.380 (35.0)	1.560 (39.6)	1.915 (48.6)
18/19	1.380 (35.0)	1.560 (39.6)	1.915 (48.6)
20/21	1.380 (35.0)	1.560 (39.6)	1.915 (48.6)
22/23	1.380 (35.0)	1.560 (39.6)	1.915 (48.6)
24/25	1.380 (35.0)	1.560 (39.6)	1.915 (48.6)
28/29	1.610 (40.9)	1.560 (39.6)	1.915 (48.6)
32/33	1.610 (40.9)	1.750 (44.5)	1.915 (48.6)
36	1.610 (40.9)	1.750 (44.5)	1.915 (48.6)
40	1.610 (40.9)	2.190 (55.6)	1.915 (48.6)

TABLE IV: ELBOW DIMENSIONS								
Elbow Size	E		F		G		H	
		Max		Max		Max		Max
10/12	.664	(16.9)	1.410	(35.8)	.810	(20.6)	1.550	(39.4)
14	.688	(17.5)	1.430	(36.3)	.870	(22.1)	1.610	(40.9)
16/18	.732	(18.6)	1.480	(37.6)	.980	(24.9)	1.740	(44.2)
20	.748	(19.0)	1.490	(37.8)	1.020	(25.9)	1.760	(44.7)
22	.773	(19.6)	1.510	(38.4)	1.080	(27.4)	1.820	(46.2)
24	.800	(20.3)	1.550	(39.4)	1.140	(29.0)	1.900	(48.3)
28	.823	(20.9)	1.580	(40.1)	1.200	(30.5)	1.970	(50.0)
32	1.041	(26.4)	1.750	(44.5)	1.480	(37.6)	2.210	(56.1)

TABLE V: CABLE RANGE							
Dash No.	K		L Max	Cable Range			
	$\pm.030$	$\pm(.8)$		Min		Max	
10	.220	(5.6)	1.000 (25.4)	.130 (3.3)	.250 (6.4)		
12	.310	(7.9)	1.250 (31.8)	.250 (6.4)	.380 (9.7)		
14	.440	(11.2)	1.340 (34.0)	.310 (7.9)	.440 (11.2)		
16	.560	(14.2)	1.470 (37.3)	.375 (9.5)	.630 (16.0)		
18	.630	(16.0)	1.560 (39.6)	.560 (14.2)	.690 (17.5)		
20	.750	(19.1)	1.620 (41.1)	.630 (16.0)	.750 (19.1)		
22	.880	(22.4)	1.750 (44.5)	.750 (19.1)	.880 (22.4)		
24	1.000	(25.4)	1.870 (47.5)	.880 (22.4)	1.000 (25.4)		
28	1.060	(26.9)	1.970 (50.0)	1.000 (25.4)	1.130 (28.7)		
32	1.190	(30.2)	2.090 (53.1)	1.130 (28.7)	1.250 (31.8)		

1. When maximum cable entry (page 22) is exceeded, Style 2 will be supplied. (Function S only).
2. Metric dimensions (mm) are indicated in parentheses.
3. Consult factory for shorter lengths on straight backshells.
4. When using Connector Designator B refer to pages 18 and 19 for part number development.
5. Backshells supplied with 600-052-* band, see Glenair Series 600 Tool Catalog for installation.