

## FEATURES AND SPECIFICATIONS

### Features and Benefits

- Dual opposing beam contact
- Performance levels 1, 2 and 3
- Flux proof option
- Board lock option
- Solder tails for 1.6mm (.062") and 3.2mm (.125") PCBs

### Reference Information

Product Specification: PS-85042-0001  
 Packaging: Box  
 UL File No.: E29179  
 CSA File No.: LR19980-390  
 Mates With: 85001—Right angle male style B

### Electrical

Current: 1.5A  
 Contact Resistance: 20mΩ max.

### Mechanical

Mating Force: 0.93N max.

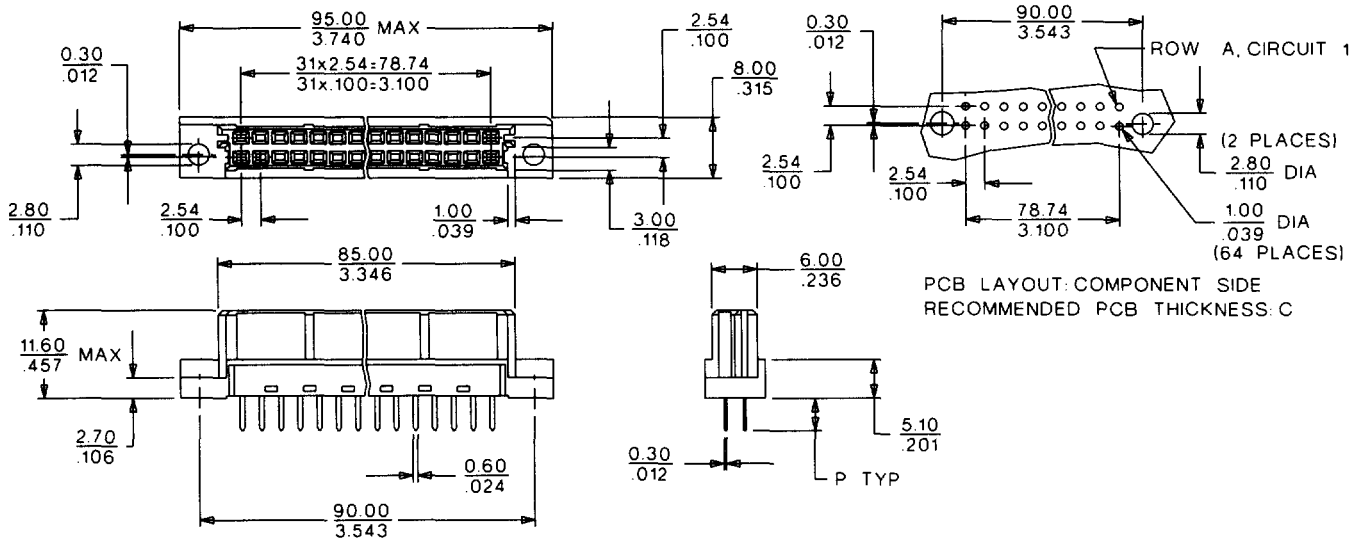
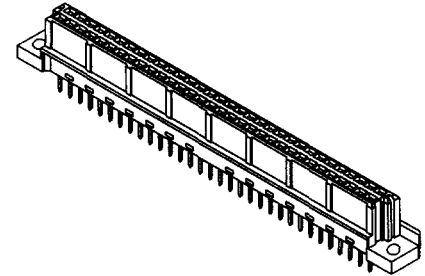
### Physical

Housing: Glass-filled polyester, UL 94V-0  
 Contact: Copper Alloy  
 Temperature: -55 to +125°C

# molex® 2.54mm (.100") Pitch DIN 41612/IEC 603-2 Connector

## 85040 Female Style B

Backplane Connectors



## ORDERING INFORMATION AND DIMENSIONS

Circuits	Order No.			Contact Loading	Rows	Solder Tail Dimension P	Option(s)	
	Performance Level*							
	1	2	3					
32		85040-0696		Even only	a, b	2.9 (.114)	Board locks	
		85040-1031						
64		85040-0127	85040-1055	Full	a, b	2.9 (.114)	Board locks	
		85040-0414						
		85040-0206	85040-0050			85040-1043	4.5 (.177)	Flux proof
			85040-0062					

For other versions contact Molex Inside Sales

\* Performance levels based on test conditions per DIN 41612, part 5:

1: >500 mating cycles. 10 day industrial environment (S02)

2: >400 mating cycles. 4 day industrial environment (S02)

3: >50 mating cycles. No industrial environment