

4

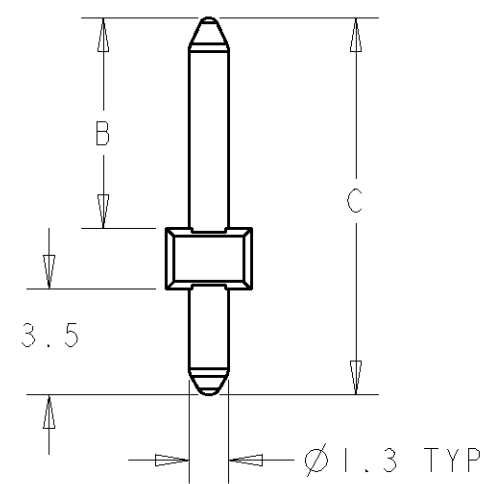
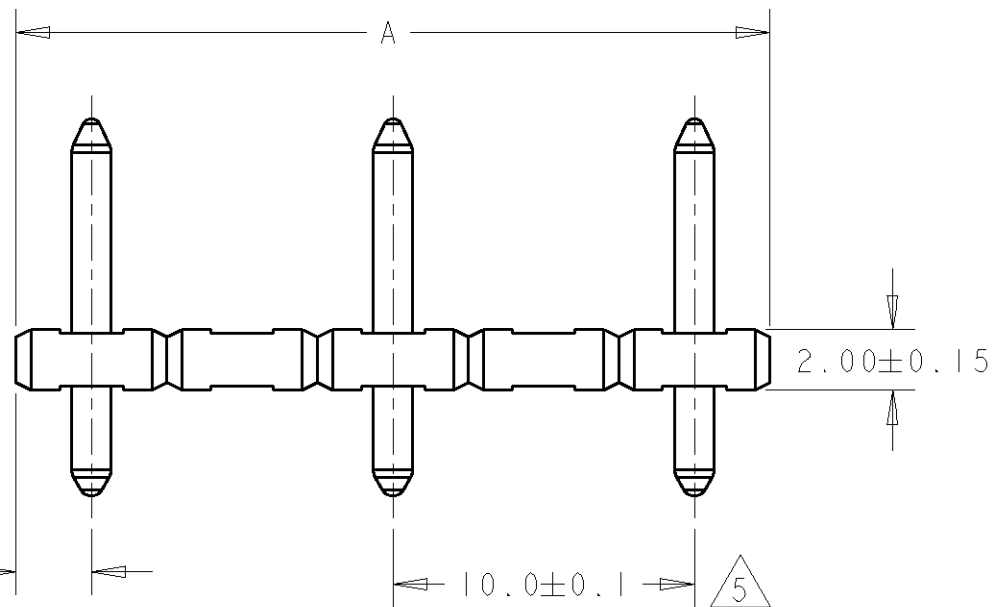
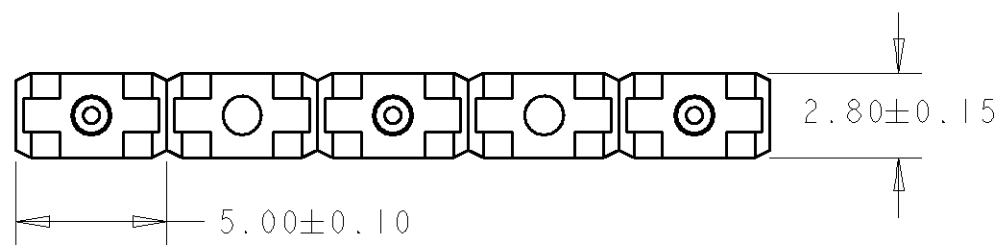
3

2

1

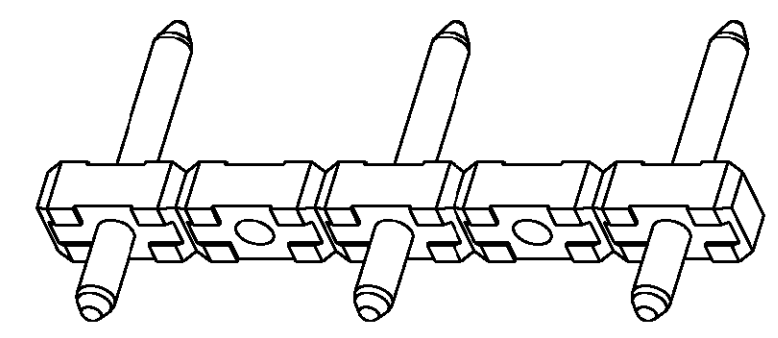
THIS DRAWING IS UNPUBLISHED. RELEASED FOR PUBLICATION 20
 © COPYRIGHT 20 BY TYCO ELECTRONICS CORPORATION. ALL RIGHTS RESERVED.

LOC	DIST	REVISIONS					
		P	LTR	DESCRIPTION	DATE	DWN	APVD
FT	0		C	REVISED PER 0G3B-0119-01	15AUG2001	EZ	DB
			D	REVISED PER 0G3B-0044-02	22JUL2002	JS	CR



1. MATERIALS AND FINISH
 HOUSING: PA 6-6, UL 94-V0, COLOR GREEN.
 TERMINAL: BRASS, TIN PLATED.
2. SUITABLE FOR 1,6-2,4mm PC BOARD THICKNESS.
3. RECOGNIZED UNDER THE COMPONENT PROGRAM OF UNDERWRITERS LABORATORIES INC. FILE N° E60677.
4. IMQ CERTIFICATE WITH SURVEILLANCE IN CONFORMITY WITH IEC 998-1/998-2-1.

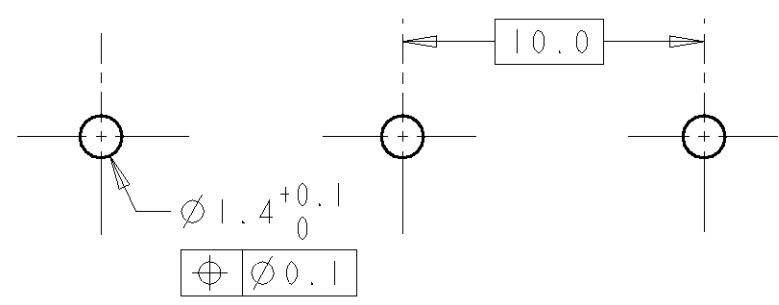
5. NOT CUMULATIVE TOLERANCE.



282833-3 AS SHOWN

16.5	11.0	25	3	1-282833-3
12.5	7.0	55	6	282833-6
12.5	7.0	45	5	282833-5
12.5	7.0	35	4	282833-4
12.5	7.0	25	3	282833-3
12.5	7.0	15	2	282833-2
DIM C	DIM B	DIM A	N° OF POS.	PART NUMBER

RECOMMENDED PC BOARD LAYOUT



THIS DRAWING IS A CONTROLLED DOCUMENT FOR TYCO ELECTRONICS CORPORATION. IT IS SUBJECT TO CHANGE AND THE CONTROLLING ENGINEERING ORGANIZATION SHOULD BE CONTACTED FOR THE LATEST REVISION.

DIMENSIONS:	TOLERANCES UNLESS OTHERWISE SPECIFIED:
mm	
	0 PLC ±0
	1 PLC ±.3
	2 PLC ±.25
	3 PLC ±0
	4 PLC ±0
	ANGLES ±2

MATERIAL FINISH

DWN	22JUL2002
J. STAUFFER	
CHK	22JUL2002
C. RICHARD	
APVD	22JUL2002
C. RICHARD	
PRODUCT SPEC	10820166
APPLICATION SPEC	114-20079
WEIGHT	-
CUSTOMER DRAWING	

BUCHANAN		Tyco Electronics Harrisburg, PA 17105-3608	
NAME TERMINAL BLOCK PIN HEADER UNSHROUDED 10MM PITCH			
SIZE	CAGE CODE	DRAWING NO	RESTRICTED TO
A3	00779	C=282833	-
SCALE 4:1		SHEET 1	OF 1
		REV	D