



**IONIZATION SMOKE DETECTOR
WITH INTERCONNECT**

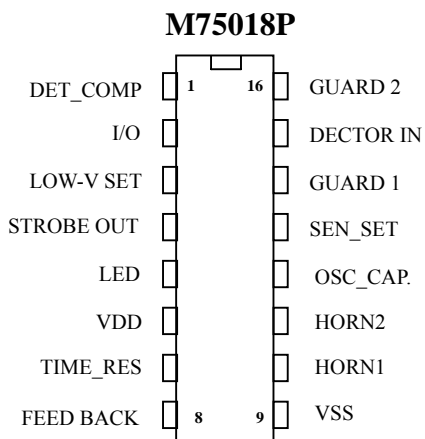
GENERAL DESCRIPTION

The M75018 is a low-current CMOS circuit providing all of the required features for an ionization-type smoke detector. A networking capability allows as many as 40 units to be interconnected so that if any unit senses smoke, all units will sound an alarm. In addition, special features are incorporated to facilitate alignment and test of the finished smoke detector. can be used in numerous other battery-operated safety/security applications.

FEATURES

- Piezoelectric Horn driver.
- Guard outputs on both sides of detect Input.
- Low-battery trip point, internally set , can be altered via external resistor.
- Detect threshold, internally set , can be altered via external resistor.
- Pulse testing for low-battery uses LED for battery loading.
- Comparators output for detect.
- Strobe output for external trim resistors.
- I/O Pin allows up to 40 units to be connected for common signaling.
- Power-on reset places IC in standby mode.

PIN ASSIGNMENT





**IONIZATION SMOKE DETECTOR
WITH INTERCONNECT**

PIN AND CIRCUIT DESCRIPTION

Pin No	Pin Name	I/O	Function
1	DET_COMP	O	This pin provide a method of measuring the detect signal.
2	I/O	I/O	To allow multiple smoke detectors to be command. If any single unit detect smoke (I/O is driven high), all connected units will sound their associated horns. The Led is suppressed when an alarm is signaled from an interconnected unit. An internal NMOS device acts as a charge dump to aid in applications involving a large (distributed) capacitance on pin 2. The charge dump is activated only on the removal of a local alarm.
3	LOW-V SET	I	The low battery threshold is set internally by a voltage divider connected between VDD and VSS. The threshold can be increased by connecting a resistor to VDD. The threshold can be decreased by connecting a resistor to VSS. It will be a slight interaction here due the common voltage divider network. The battery voltage level is checked every 40 seconds during the 10mA, battery loading remains at 10 mA. 10ms LED pulse.
4	STROBE OUT	I	The detector sensitivity can be decreased by connecting a resistor to pin 13.
5	LED	O	The 9 Volt battery level is checked every 40 seconds during the LED pulse. The battery is loaded via a 10mA pulse for 11.6 ms.
6	VDD	—	Power supply
7	TIME_RES.	I	A resistor between this pin and VDD is part of the oscillator and sets the capacitor charge and discharge current (default 8.2M Ω) .
8	FEEDBACK	I	This pin input to the feedback electrode. If the FEEDBACK pin is not used, it must be connected to VDD or VSS.
9	VSS	—	Ground
10	HORN1	O	These two pins are used in conjunction with external passive components and a self-resonating piezoelectric transducer. HORN1 is connected to the piezo metal support electrode; the complementary output, HORN2, is connected to the ceramic electrode. A continuous modulated tone indicates either a local or remote alarm condition. A short (10ms) chirp indicates a low-battery chirp occurs almost simultaneous with the visible LED flash.
11	HORN2	O	
12	OSC_CAP.	I	A capacitor between this pin and VSS is part of the oscillator and sets charge and discharge time (default 0.1 μ F).
13	SEN_SET	I	The detector sensitivity to smoke is set internally by a voltage divider connected between VDD and VSS. The sensitivity can be externally adjusted to the individual characteristics of the ionization chamber by connecting a resistor between pin13 and VDD, or between pin 13 and VSS. It will be a slight interaction here due the common voltage divider network.
14	GUARD1	I	This will keep surface leakage currents to a minimum and provide a method of measuring the input voltage without loading the ionization chamber.
15	DECTOR IN	I	This pin is the ionization-type smoke detector input.
16	GUARD2	I	The voltage at these pins will be within 100mV of the input signal. This will keep surface leakage currents to a minimum and provide a method of measuring the input voltage without loading the ionization chamber.



**IONIZATION SMOKE DETECTOR
WITH INTERCONNECT**

M75018

ABSOLUTE MAXIMUM RATING

Parameter	Sym.	Rating	Unit
Supply Voltage Range	V_{DD}	-0.5 ~ 13	V
Input Voltage Range	V_{IN}	-0.3 to $V_{DD} + 0.3$	V
Input Current	I_{IN}	10	mA
Operating Temperature Range	T_A	-10 ~ 60	°C
Storage Temperature Range	T_S	-35 ~ 125	°C

DC ELECTRICAL CHARACTERISTICS

(Voltage referenced to V_{SS} , $T_A=25^\circ\text{C}$)

Characteristics	Sym.	V_{DD}	Min.	Typ.	Max.	Unit	Conditions
Operating Voltage	V_{DD}	—	6.0	—	12	V	
Output Voltage	V_{OH}	7.2	6.3	—	—	V	Piezoelectric Horn Drivers ($I_{OH} = -16 \text{ mA}$)
		9.0	8.5	8.8	—	V	Comparators ($I_{OH} = -30 \mu\text{A}$)
	V_{OL}	7.2	—	—	0.9	V	Piezoelectric Horn Drivers ($I_{OL} = +16 \text{ mA}$)
		9.0	—	0.1	0.5	V	Comparators ($I_{OL} = +30 \mu\text{A}$)
	V_{OL}	7.2	—	—	3.0	V	Led Driver ($I_{OL} = 10 \text{ mA}$)
Output Impedance, Active Guard	Lo-Z	9.0	—	—	10	$\text{K}\Omega$	Pin 14
	Hi-Z	9.0	—	—	1000	$\text{K}\Omega$	Pin 16
Operating Current	I_{DD}	9.0	—	5.0	9.0	μA	$R_{BIAS} = 8.2 \text{ M}\Omega$
		12.0	—	—	12.0	μA	
Input Current	I_{IN}	9.0	—	—	± 1.0	pA	Detect (40% R.H.)
		9.0	—	—	± 0.1	μA	Pin 8
		—	—	—	± 6.0	pA	@50°C, Pin 15
Internal Set Voltage	V_{LOW}	9.0	7.2	—	7.8	V	Low Battery
	V_{SET}	—	47	50	53	$\%V_{DD}$	Sensitivity
Hysteresis	V_{HYS}	9.0	75	100	150	mV	
Offset Voltage (measure at $V_{in}=V_{DD}/2$)	V_{OS}	9.0	—	—	± 100	mV	Active Guard
		9.0	—	—	± 50	mV	Detect Comparator
Input Voltage Range	V_{IN}	—	$V_{SS}-10$	—	$V_{DD}+10$	V	Pin 8
Input Capacitance	C_{IN}	—	—	5.0	—	pF	
Common Mode Voltage Range	V_{CM}	—	0.6	—	$V_{DD}-2$	V	Pin 15
I/O Current	I_{IH}	—	25	—	100	μA	Input, $V_{IH} = V_{DD}-2$ (Pin 2)
	I_{OH}	—	-10	—	-25	mA	Output, $I_{OH} = V_{DD}-2$ (Pin 2)

TIMING PARAMETERS

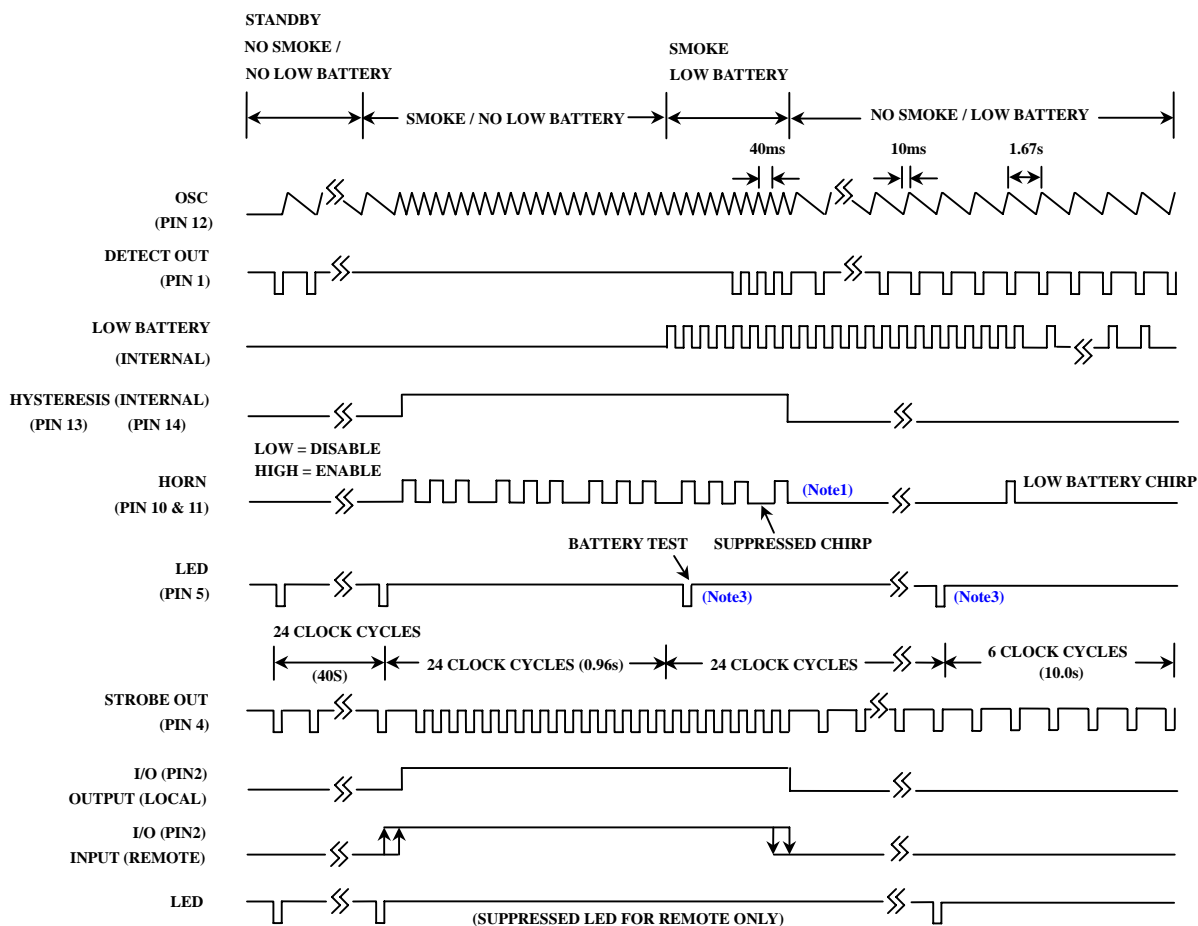
($C=0.1 \mu\text{F}$, $R_{BIAS} = 8.2\text{M}\Omega$, $V_{DD} = 9.0\text{V}$, $T_A=25^\circ\text{C}$)

Characteristics		Sym.	Min.	Max	Unit
Oscillator Period	No Smoke	t_{CI}	1.46	1.85	s
	Smoke		37.5	45.8	ms
Oscillator Rise Time		t_r	10.1	12.3	ms
Horn Output (During Smoke)	On Time	PW_{on}	450	550	ms
	Off Time	PW_{off}	450	550	ms
LED Output Pulses	Between	t_{LED}	35.0	44.5	s
	On Time	PW_{on}	10.1	12.3	ms
Horn Output Pulses (During Low Battery)	On Time	t_{on}	10.1	12.3	ms
	Off Time	t_{off}	35.0	44.5	s



**IONIZATION SMOKE DETECTOR
WITH INTERCONNECT**

TIMING DIAGRAM



Notes :

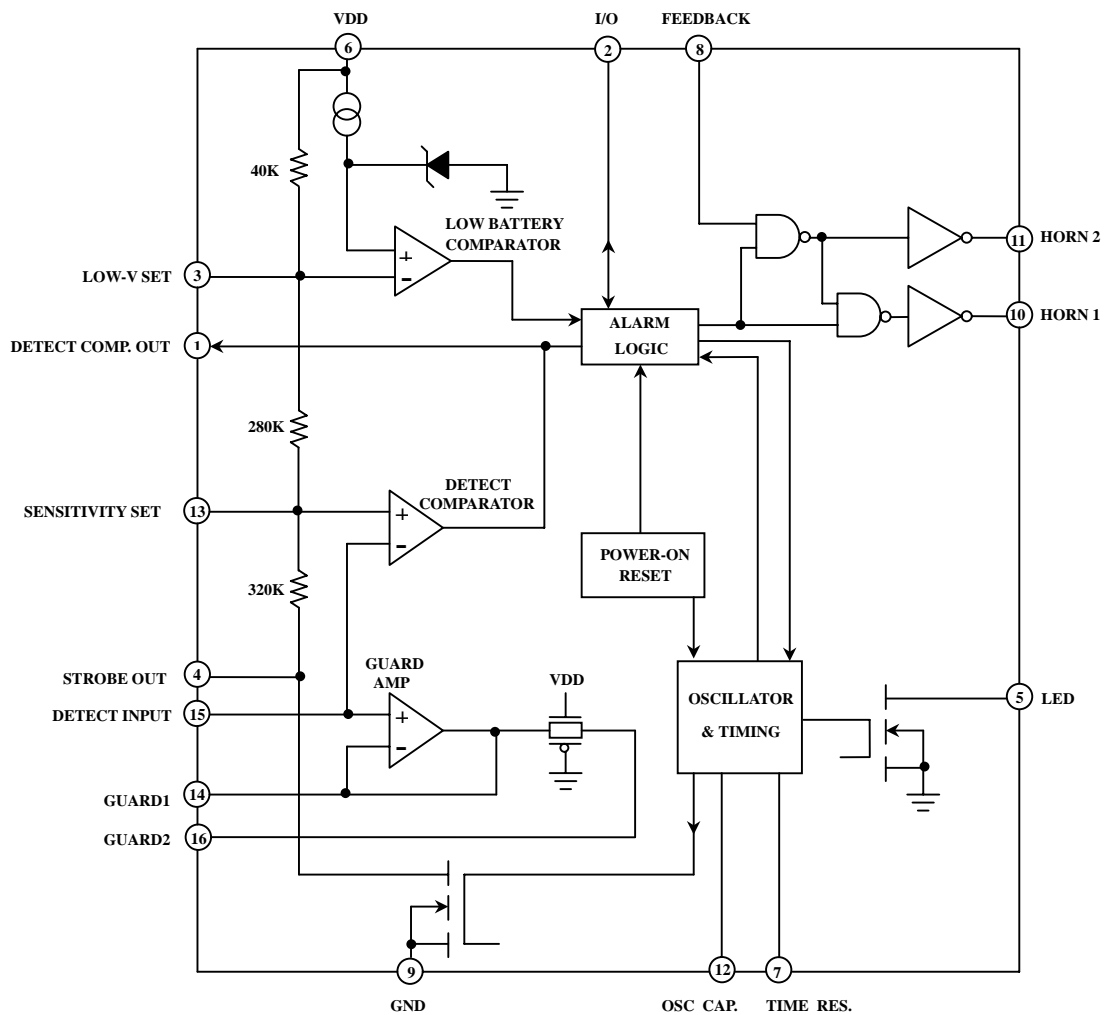
1. Horn modulation is self-completing. When going from smoke to no smoke , the alarm condition will terminate only when horn is off.
2. Comparators are strobed on once per clock cycle (1.67s for no smoke , 40 ms for smoke).
3. Low battery comparator information is latched only during LED pulse.



**IONIZATION SMOKE DETECTOR
WITH INTERCONNECT**

M75018

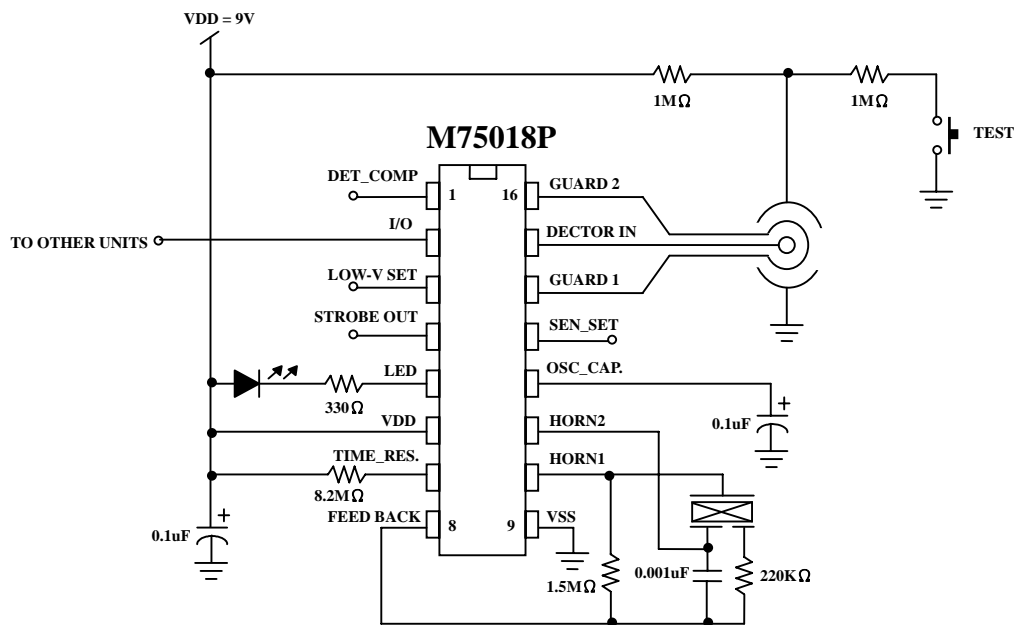
BLOCK DIAGRAM





IONIZATION SMOKE DETECTOR
WITH INTERCONNECT

APPLICATION DIAGRAM



* All specs and applications shown above subject to change without prior notice.
(以上電路及規格僅供參考,本公司得逕行修正)