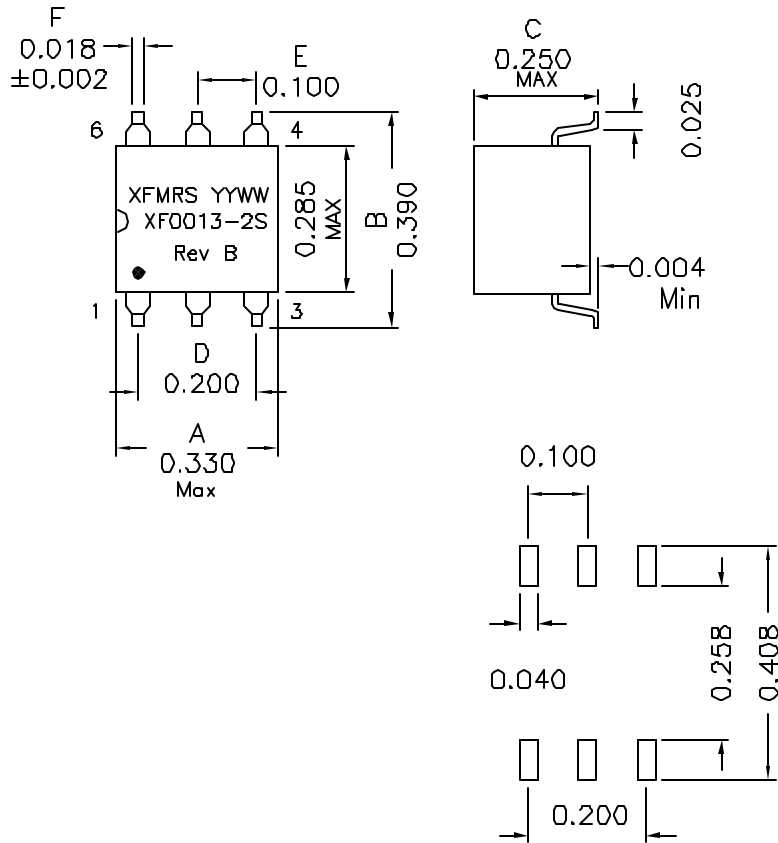
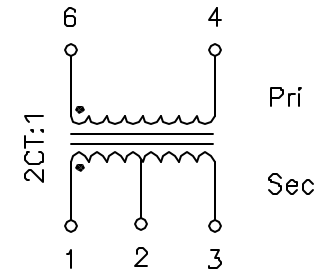


### 1. Mechanical Dimensions:



### 2. Schematic:



### 3. Electrical Specifications:

- OCL: Pins 4-6 1.5mH Typ @100KHz 0.1V
- LL: Pins 4-6 0.5uH Max @100KHz 0.1V, Short 1-2-3
- Cw/w: Pins 1-6 35pF Max @100KHz 0.1V
- DCR: Pins 4-6 0.80 Ohms Max
- Turns Ratio: Pins (4-6):(1-2-3)=1:2CT±3%
- Isolation: 1500Vac, Wdg to Wdg

**Notes:**

1. Solderability: Leads shall meet MIL-STD-202G, Method 208H for solderability.
2. Flammability: UL94V-0
3. ASTM oxygen Index: > 28%
4. Insulation System: Class F 155°C. UL file E151556
5. Operating Temperature Range: All listed parameters are to be within tolerance from -40°C to +85°C
6. Storage Temperature Range: -55°C to +125°C
7. Aqueous wash compatible
8. SMD Lead Coplanarity: ±0.004°(D.102mm)
9. Electrical and mechanical specifications 100% tested
10. RoHS Compliant Component
11. Meets the UL60950 specification for isolation.

SUGGESTED PCB LAYOUT

DOC. REV: B/B

<b>XFMRS Inc</b> www.XFMRS.com		Title: TRANSFORMERS	
UNLESS OTHERWISE SPECIFIED TOLERANCES: .xxx ±0.010 Dimensions in INCH	P/N: XF0013-2S		REV. B
	DWN.	Juan Mao	Mar-27-08
	CHK.	YK Liao	Mar-27-08
SHEET 1 OF 1	APP.	BW	Mar-27-08