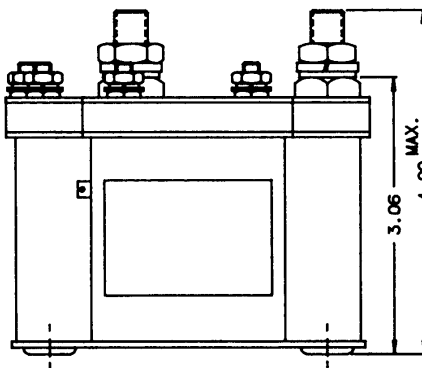
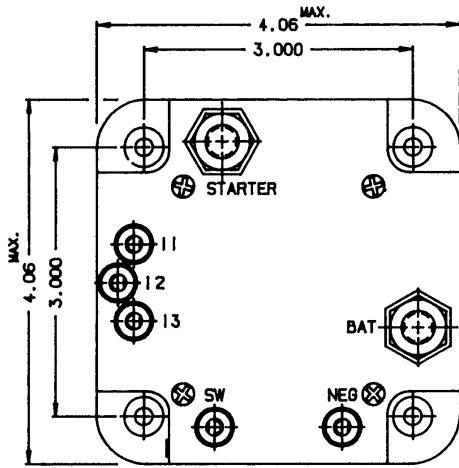


**A-701P-3 SPST N.O., 500 Amps, 28 VDC**

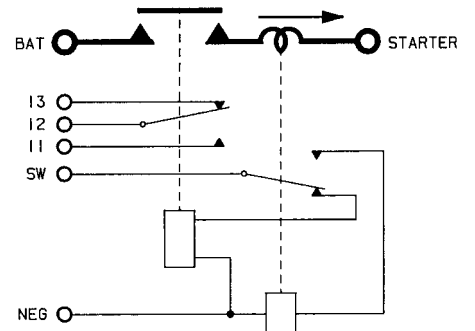


**Features:**

- SPST N.O. Main Contacts
- Remote Reset
- 28 VDC
- 500 Amps
- High Reliability
- Meets many requirements of MIL-R-6106



**CONTACTOR CONFIGURATION**



Dimensions for this product are expressed in inches. Multiply values by 25.4 for millimeters.

**Notes:**

PRODUCT SPECIFICATIONS	
Construction	Gasket Sealed, Vented
Main Contacts:	
Configuration	SPST N.O.
Voltage (Nominal)	28 VDC
Current (Resistive)	500 Amps for 90 Seconds; 1500 Amps In-Rush
Auxiliary Contacts:	
Configuration	SPDT
Voltage (Nominal)	28 VDC
Current	
Resistive	5 Amps
Inductive	3 Amps
Coil Data:	
Duty Cycle	Intermittent
Voltage (Nominal)	28 VDC
Pick-Up Voltage	12 VDC Maximum
Drop-Out Voltage	0.5 - 5 VDC
Coil Current @ 28 VDC & +25°C	
In-Rush	2 Amps
Hold	2 Amps
Operating Temperature	-55°C to +71°C
Life:	
Electrical	25,000 Cycles
Mechanical	100,000 Cycles
Weight	3 Lbs. 8 Oz.

For factory-direct application assistance, contact the HARTMAN product team at (419) 521-9500, Fax (419) 526-2749.

© 2004 by Tyco Electronics Corporation. All Rights Reserved. HARTMAN and TYCO are trademarks.

Additional Information: Current Trip Point – 400 Amps ±10%  
Reset is achieved by momentarily removing SW voltage.  
Consult Hartman for Detailed Theory of Operation.