

1

PRODUCT OVERVIEW

OVERVIEW

The S3C7295 single-chip CMOS microcontroller has been designed for high performance using Samsung's newest 4-bit CPU core, SAM47 (Samsung Arrangeable Microcontrollers).

With an up-to-704-dot LCD direct drive capability, and flexible 8-bit timer/counter, the S3C7295 offers an excellent design solution for a mid-end LCD game.

Up to 8 pins of the 80-pin QFP package can be dedicated to I/O. Six vectored interrupts provide fast response to internal and external events. In addition, the S3C7295's advanced CMOS technology provides for low power consumption.

OTP

The S3C7295 microcontroller is also available in OTP (One Time Programmable) version, S3P7295. S3P7295 microcontroller has an on-chip 16K-byte one-time-programable EPROM instead of masked ROM. The S3P7295 is comparable to S3C7295, both in function and in pin configuration.

FEATURES

Memory

- 256 × 4-bit RAM (excluding LCD display RAM)
- 16,384 × 8-bit ROM

8 I/O Pins

- I/O: 8 pins

LCD Controller/Driver

- 44 segments and 16 common terminals (8, 12 and 16 common selectable)
- Internal resistor circuit for LCD bias
- Voltage doubler
- All dot can be switched on/off

8-bit Basic Timer

- 4 interval timer functions
- Watch-dog timer

8-bit Timer/Counter

- Programmable 8-bit timer
- Arbitrary clock output (TCLO0)
- Inverted clock output (TCLO0)

Watch Timer

- Time interval generation: 0.5 s, 3.9 ms at 32768 Hz
- Four frequency outputs to BUZ pin and BUZ pin
- Clock source generation for LCD

Interrupts

- Two internal vectored interrupts
- Four external vectored interrupts
- Two quasi-interrupts

Memory-Mapped I/O Structure

- Data memory bank 15

Power-Down Modes

- Idle mode (only CPU clock stops)
- Stop mode (main system oscillation stops)
- Sub system clock stop mode

Oscillation Sources

- Crystal, ceramic, or RC for main system clock
- Crystal oscillator for subsystem clock
- Main system clock frequency: 4.19 MHz (typical)
- Subsystem clock frequency: 32.768 kHz
- CPU clock divider circuit (by 4, 8, or 64)

Instruction Execution Times

- 0.95, 1.91, 15.3 μ s at 4.19 MHz (main)
- 122 μ s at 32.768 kHz (subsystem)

Operating Temperature

- -40 °C to 85 °C

Operating Voltage Range

- 2.2 V to 3.4 V (0.4 MHz to 4.19 MHz)

Package Type

- 80-pin QFP or pellet

BLOCK DIAGRAM

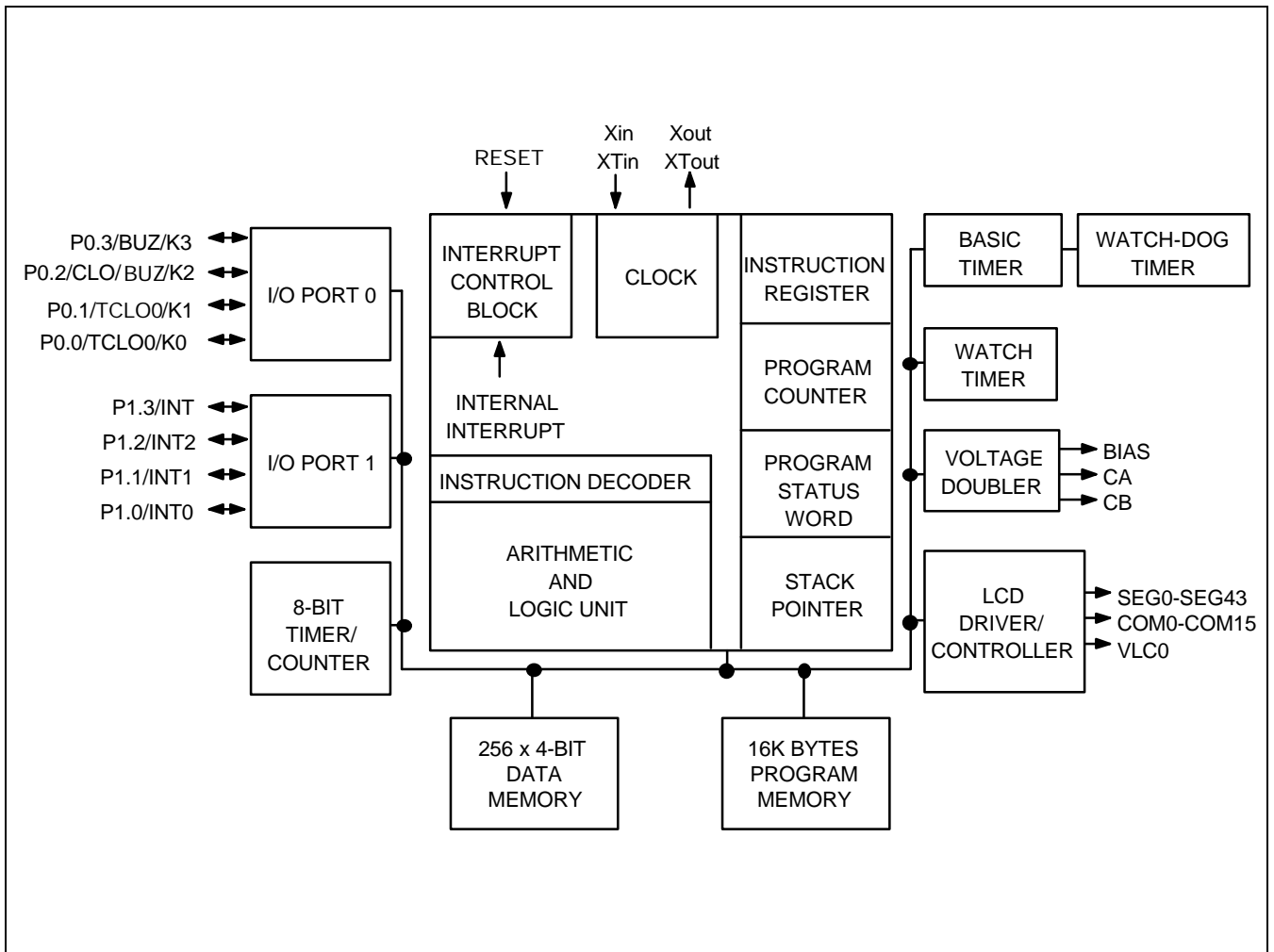


Figure 1-1. S3C7295 Simplified Block Diagram

PIN ASSIGNMENTS

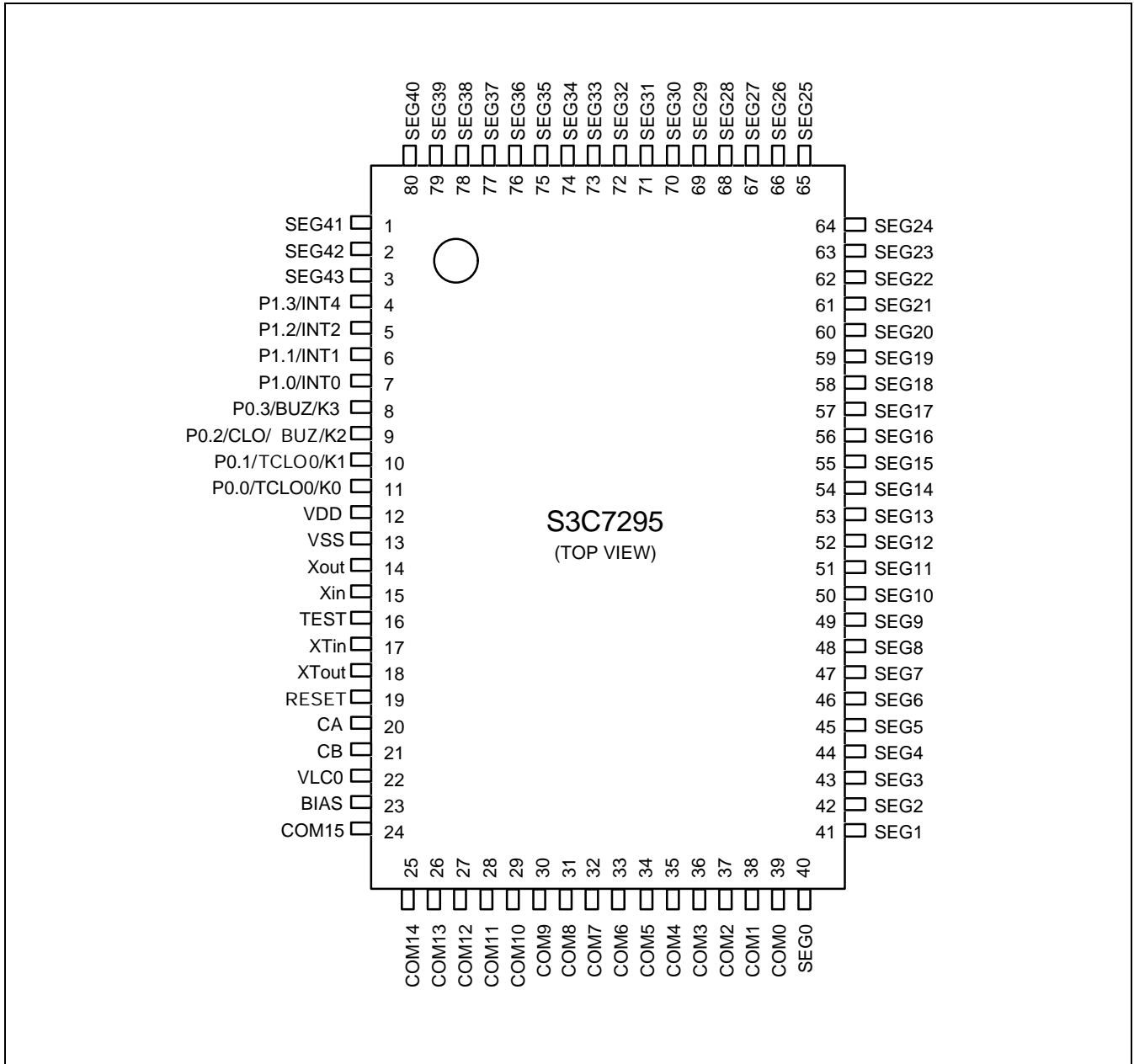


Figure 1-2. S3C7295 80-QFP Pin Assignment Diagram

PIN DESCRIPTIONS

Table 1-1. S3C7295 Pin Descriptions

Pin Name	Pin Type	Description	Circuit Type	Number	Share Pin
P0.0 P0.1 P0.2 P0.3	I/O	4-bit I/O port. 1-bit and 4-bit read/write and test are possible. Individual pins are software configurable as input or output. Individual pins are software configurable as open-drain or push-pull output. Individual pull-up resistors are software assignable; pull-up resistors are automatically disabled for output pins.	E-1	11 10 9 8	TCLO0/K0 TCLO0/K1 CLO/BUZ/K2 BUZ/K3
P1.0 P1.1 P1.2 P1.3	I/O	Same as port 0.	E-1	7 6 5 4	INT0 INT1 INT2 INT4
INT0, INT1	I/O	External interrupts. The triggering edge for INT0 and INT1 is selectable.		7, 6	P1.0, P1.1
INT2	I/O	Quasi-interrupt with detection of rising or falling edges		5	P1.2
INT4	I/O	External interrupt with detection of rising or falling edges.		4	P1.3
BUZ	I/O	2 kHz, 4 kHz, 8 kHz or 16 kHz frequency output for buzzer sound.		8	P0.3/K3
BUZ	I/O	Inverted BUZ signal		9	P0.2/CLO/K2
CLO	I/O	Clock output		9	P0.2/BUZ/K2
TCLO0	I/O	Inverted Timer/counter 0 clock output		10	P0.1/K1
TCLO0	I/O	Timer/counter 0 clock output		11	P0.0/K0
COM0–COM15	O	LCD common signal output	H-6	39–24	–
SEG0–SEG43	O	LCD segment signal output	H-6	40–80, 1–3	–

Table 1-1. S3C7295 Pin Descriptions (Continued)

Pin Name	Pin Type	Description	Circuit Type	Number	Share Pin
K0–K3	I/O	External interrupt (triggering edge is selectable)	E-1	11–8	P0.0–P0.3
V _{DD}	–	Power supply	–	12	–
V _{SS}	–	Ground	–	13	–
RESET	I	Reset input (active low)	B	19	–
CA, CB	–	Capacitor terminal for voltage doubling	–	20, 21	–
VCL0	–	LCD power supply input	–	22	–
BIAS	O	Doubling voltage level output	–	23	–
X _{in} , X _{out}	–	Crystal, ceramic or RC oscillator pins for system clock	–	15, 14	–
XT _{in} , XT _{out}	–	Crystal oscillator pins for subsystem clock	–	17, 18	–
TEST	I	Test input (must be connected to V _{SS})	–	16	–

NOTE: Pull-up resistors for all I/O ports are automatically disabled if they are configured to output mode.

PIN CIRCUIT DIAGRAMS

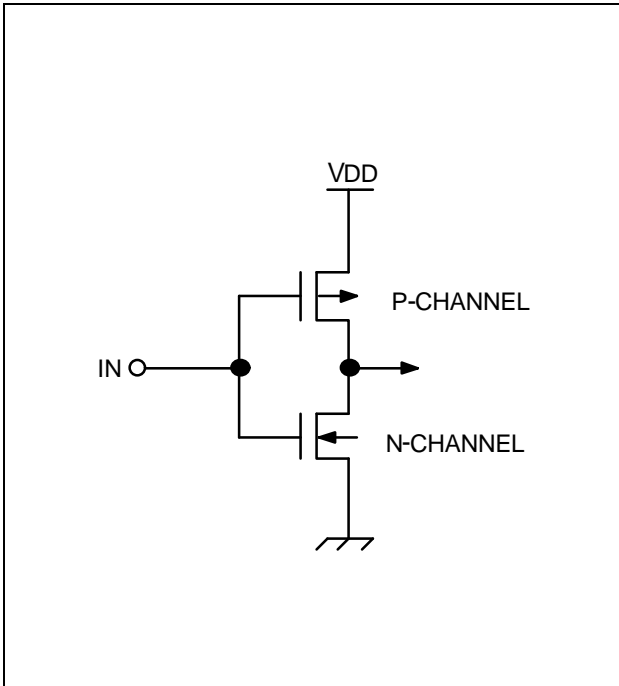


Figure 1-3. Pin Circuit Type A

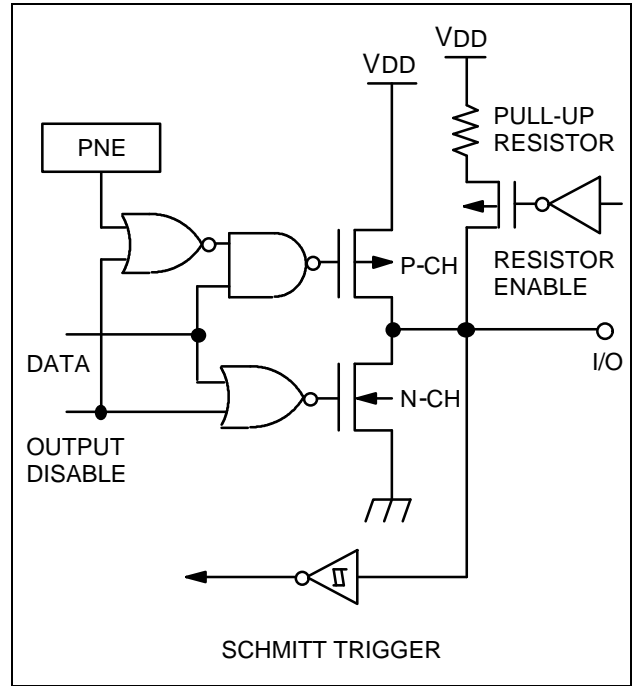


Figure 1-5. Pin Circuit Type E-1

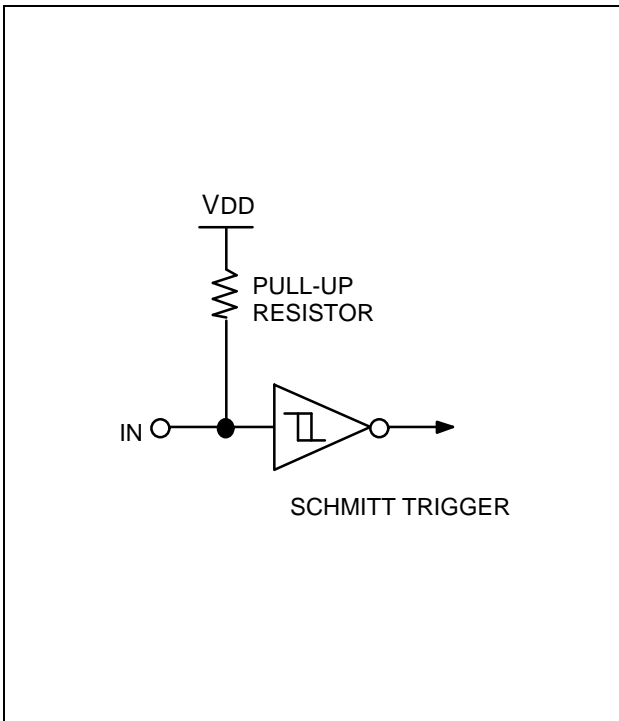


Figure 1-4. Pin Circuit Type B

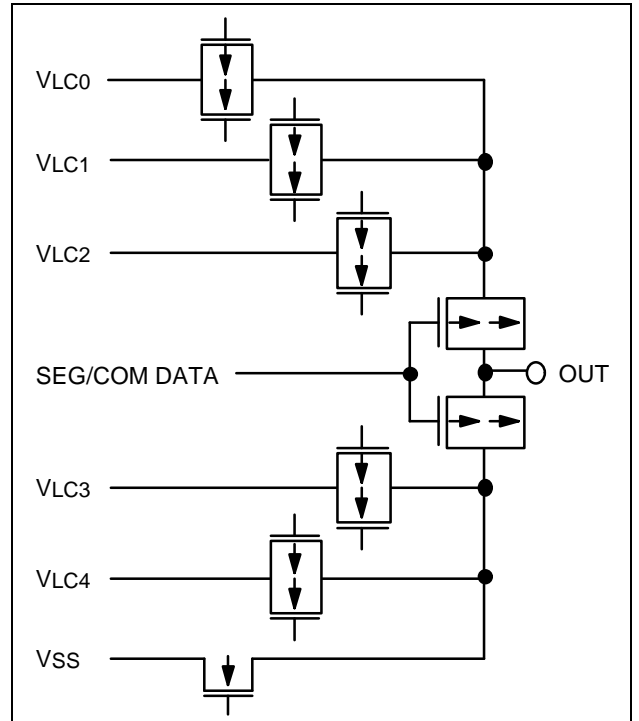


Figure 1-6. Pin Circuit Type H-6

13 ELECTRICAL DATA

OVERVIEW

In this section, information on S3C7295 electrical characteristics is presented as tables and graphics. The information is arranged in the following order:

Standard Electrical Characteristics

- Absolute maximum ratings
- D.C. electrical characteristics
- Main system clock oscillator characteristics
- Subsystem clock oscillator characteristics
- I/O capacitance
- A.C. electrical characteristics
- Operating voltage range

Miscellaneous Timing Waveforms

- A.C timing measurement point
- Clock timing measurement at X_{in}
- Clock timing measurement at XT_{in}
- TCL timing
- Input timing for RESET
- Input timing for external interrupts
- Serial data transfer timing

Stop Mode Characteristics and Timing Waveforms

- RAM data retention supply voltage in stop mode
- Stop mode release timing when initiated by RESET
- Stop mode release timing when initiated by an interrupt request

Table 13-1. Absolute Maximum Ratings

(T_A = 25 °C)

Parameter	Symbol	Conditions	Rating	Units
Supply Voltage	V _{DD}	–	– 0.3 to + 4.5	V
Input Voltage	V _I	Ports 0, 1	– 0.3 to V _{DD} + 0.3	V
Output Voltage	V _O	–	– 0.3 to V _{DD} + 0.3	V
Output Current High	I _{OH}	One I/O pin active	– 15	mA
		All I/O pins active	– 30	
Output Current Low	I _{OL}	One I/O pin active	+ 30 (Peak value)	mA
			+ 15 ^(note)	
		Total for pins 0, 1	+ 100 (Peak value)	
			+ 60 ^(note)	
Operating Temperature	T _A	–	– 40 to + 85	°C
Storage Temperature	T _{stg}	–	– 65 to + 150	°C

NOTE: The values for Output Current Low (I_{OL}) are calculated as Peak Value × $\sqrt{\text{Duty}}$.

Table 13-2. D.C. Electrical Characteristics

(T_A = – 40 °C to + 85 °C, V_{DD} = 2.2 V to 3.4 V)

Parameter	Symbol	Conditions	Min	Typ	Max	Units
Input High Voltage	V _{IH1}	Ports 0, 1, and RESET	0.8V _{DD}	–	V _{DD}	V
	V _{IH2}	X _{in} , X _{out} , and XT _{in}	V _{DD} – 0.1		V _{DD}	
Input Low Voltage	V _{IL1}	Ports 0, 1, and RESET	–	–	0.2V _{DD}	V
	V _{IL2}	X _{in} , X _{out} , and XT _{in}			0.1	
Output High Voltage	V _{OH}	V _{DD} = 2.2 V to 3.4 V I _{OH} = – 1 mA Ports 0, 1	V _{DD} – 1.0	–	–	V
Output Low Voltage	V _{OL}	V _{DD} = 2.2 V to 3.4 V I _{OL} = 5 mA Ports 0, 1	–	–	1.0	V

Table 13-2. D.C. Electrical Characteristics (Continued)

(T_A = -40 °C to +85 °C, V_{DD} = 2.2 V to 3.4 V)

Parameter	Symbol	Conditions	Min	Typ	Max	Units
Input High Leakage Current	I _{LIH1}	V _I = V _{DD} All input pins except those specified below for I _{LIH2}	–	–	3	μA
	I _{LIH2}	V _I = V _{DD} X _{in} , X _{out} and X _{Tin}			20	
Input Low Leakage Current	I _{LIL1}	V _I = 0 V All input pins except RESET X _{in} , X _{out} and X _{Tin}	–	–	–3	μA
	I _{LIL2}	V _I = 0 V RESET, X _{in} , X _{out} and X _{Tin}			–20	
Output High Leakage Current	I _{LOH}	V _O = V _{DD} All output pins	–	–	3	μA
Output Low Leakage Current	I _{LOL}	V _O = 0 V All output pins	–	–	–3	μA
Pull-Up Resistor	R _{L1}	V _I = 0 V; V _{DD} = 3V Ports 0, 1	50	100	200	kΩ
	R _{L2}	V _I = 0 V; V _{DD} = 3V; RESET	200	450	800	
LCD Voltage Dividing Resistor (1)	R _{LCD1}	T _a = +25 °C	50	100	150	kΩ
	R _{LCD2}	T _a = +25 °C	25	50	75	
V _{DD} -COM _i Voltage Drop (i = 0–15)	V _{DC}	V _{LCD} = 3.0 V – 15 μA per common pin	–	–	120	mV
V _{LCD} -SEG _x Voltage Drop (x = 0–43)	V _{DS}	V _{LCD} = 3.0 V – 15 μA per common pin	–	–	120	
Middle Output Voltage (2)	V _{LC0}	V _{LC0} = 5.0 V	V _{LC0} -0.2	V _{LC0}	V _{LC0} +0.2	V
	V _{LC1}		0.8V _{LC0} -0.2	0.8V _{LC0}	0.8V _{LC0} +0.2	
	V _{LC2}		0.6V _{LC0} -0.2	0.6V _{LC0}	0.6V _{LC0} +0.2	
	V _{LC3}		0.4V _{LC0} -0.2	0.4V _{LC0}	0.4V _{LC0} +0.2	
	V _{LC4}		0.2V _{LC0} -0.2	0.2V _{LC0}	0.2V _{LC0} +0.2	

NOTES:

1. R_{LCD1} is LCD voltage dividing resistor when LCON.2 = "0", and R_{LCD2} when LCON.2 = "1".
2. It is middle output voltage when 1/16 duty and 1/5 bias.

Table 13-2. D.C. Electrical Characteristics (Concluded)

(T_A = -40 °C to +85 °C, V_{DD} = 2.2 V to 3.4 V)

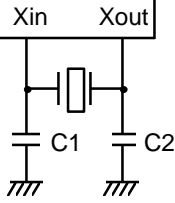
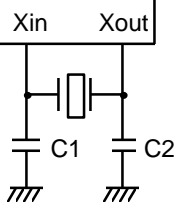
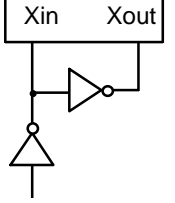
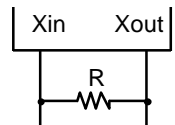
Parameter	Symbol	Conditions	Min	Typ	Max	Units
Supply Current (1)	I _{DD1}	V _{DD} = 3V ± 10% 4.19 MHz (PCON=3H) crystal oscillator C1 = C2 = 22 pF	-	1.3	3.0	mA
	I _{DD2}	Idle mode; V _{DD} = 3 V ± 10% 4.19 MHz (PCON=3H) crystal oscillator C1 = C2 = 22 pF		0.4	1.0	
	I _{DD3} (2)	V _{DD} = 3 V ± 10% 32 kHz crystal oscillator	-	15	30	μA
	I _{DD4} (2)	Idle mode; V _{DD} = 3 V ± 10% 32 kHz crystal oscillator		5	15	
	I _{DD5}	Stop mode; V _{DD} = 3 V ± 10% SCMOD=0000B, XTin=0V		0.5	3	
Stop mode; V _{DD} = 3 V ± 10% SCMOD=0100B		0.2	2			

NOTES:

1. Current in the following circuits are not included; on-chip pull-up resistors, internal LCD voltage dividing resistors, voltage doubler, and output port drive currents.
2. Data includes power consumption for subsystem clock oscillation.
3. When the system clock control register, SCMOD, is set to 1001B, main system clock oscillation stops and the subsystem clock is used.

Table 13-3. Main System Clock Oscillator Characteristics

(T_A = -40 °C to +85 °C, V_{DD} = 2.2 V to 3.4 V)

Oscillator	Clock Configuration	Parameter	Test Condition	Min	Typ	Max	Units
Ceramic Oscillator		Oscillation frequency (1)	–	0.4	–	4.19	MHz
		Stabilization time (2)	Stabilization occurs when V _{DD} is equal to the minimum oscillator voltage range; V _{DD} = 3.0 V	–	–	4	ms
Crystal Oscillator		Oscillation frequency (1)	–	0.4	–	4.19	MHz
		Stabilization time (2)	V _{DD} = 3.0 V	–	–	10	ms
External Clock		X _{in} input frequency (1)	–	0.4	–	4.19	MHz
		X _{in} input high and low level width (t _{xH} , t _{xL})	–	83.3	–	1250	ns
RC Oscillator		Frequency	V _{DD} = 3 V	0.4	–	1.5	MHz

NOTES:

- Oscillation frequency and X_{in} input frequency data are for oscillator characteristics only.
- Stabilization time is the interval required for oscillator stabilization after a power-on occurs, or when stop mode is terminated.

Table 13-4. Recommended Oscillator Constants

(T_A = -40 °C to +85 °C, V_{DD} = 2.2 V to 3.4 V)

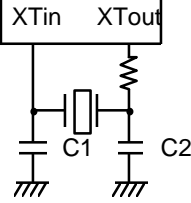
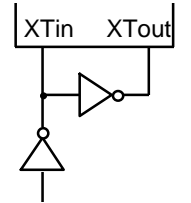
Manufacturer	Series Number ⁽¹⁾	Frequency Range	Load Cap (pF)		Oscillator Voltage Range (V)		Remarks
			C1	C2	MIN	MAX	
TDK	FCR 35M5	3.58 MHz–4.2 MHz	33	33	2.2	3.4	Leaded Type
	FCR 35MC5	3.58 MHz–4.2 MHz	(2)	(2)	2.2	3.4	On-chip C Leaded Type
	CCR 35MC3	3.58 MHz–4.2 MHz	(3)	(3)	2.2	3.4	On-chip C SMD Type

NOTES:

1. Please specify normal oscillator frequency.
2. On-chip C: 30pF built in.
3. On-chip C: 38pF built in.

Table 13-5. Subsystem Clock Oscillator Characteristics

(T_A = -40 °C to +85 °C, V_{DD} = 2.2 V to 3.4 V)

Oscillator	Clock Configuration	Parameter	Test Condition	Min	Typ	Max	Units
Crystal Oscillator		Oscillation frequency ⁽¹⁾	–	32	32.768	35	kHz
		Stabilization time ⁽²⁾	V _{DD} = 2.2 V to 3.4 V	–	1.0	3	s
External Clock		XT _{in} input frequency ⁽¹⁾	–	32	–	100	kHz
		XT _{in} input high and low level width (t _{XTL} , t _{XTH})	–	5	–	15	μs

NOTES:

1. Oscillation frequency and XT_{in} input frequency data are for oscillator characteristics only.
2. Stabilization time is the interval required for oscillating stabilization after a power-on occurs.

Table 13-6. Input/Output Capacitance

(T_A = 25 °C, V_{DD} = 0 V)

Parameter	Symbol	Condition	Min	Typ	Max	Units
Input Capacitance	C _{IN}	f = 1 MHz; Unmeasured pins are returned to V _{SS}	–	–	15	pF
Output Capacitance	C _{OUT}		–	–	15	pF
I/O Capacitance	C _{IO}		–	–	15	pF

Table 13-7. Voltage Doubler Output

(T_A = -40 °C to +85 °C, V_{DD} = 2.2 V to 3.4 V)

Parameter	Symbol	Condition	Min	Typ	Max	Units
Voltage Doubler Output	V _{bias}	V _{DD} = 2.2 V to 3.4 V	–	2 V _{DD}	–	V

Table 13-8. A.C. Electrical Characteristics

(T_A = -40 °C to +85 °C, V_{DD} = 2.2 V to 3.4 V)

Parameter	Symbol	Conditions	Min	Typ	Max	Units
Instruction Cycle Time (note)	t _{CY}	V _{DD} = 2.2 V to 3.4 V	0.95	–	64	μs
		With subsystem clock (fxt)	114	122	125	
Interrupt Input High, Low Width	f _{INTH} , f _{INTL}	INT0–INT2, INT4 K0–K3	10	–	–	
RESET Input Low Width	t _{RSL}	Input	10	–	–	

NOTE: Unless otherwise specified, Instruction Cycle Time condition values assume a main system clock (f_x) source.

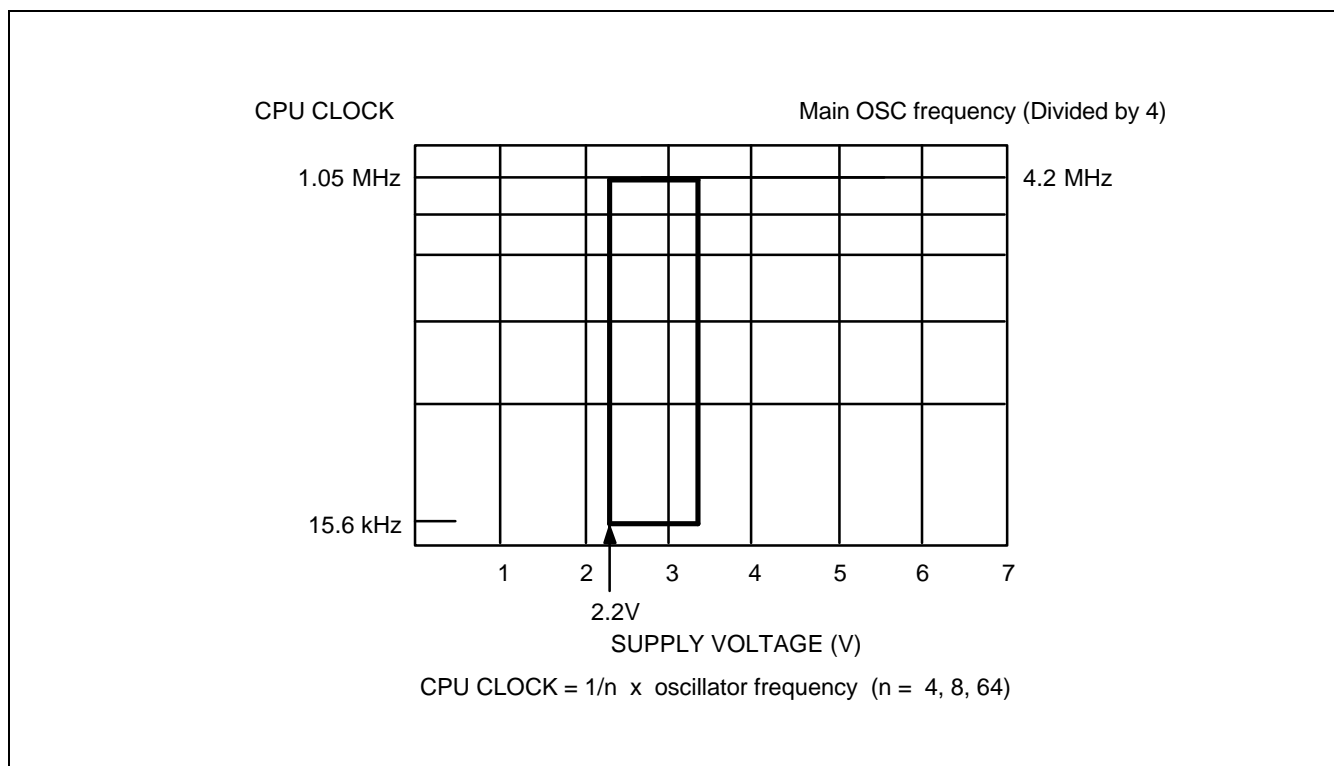


Figure 13-1. Standard Operating Voltage Range

Table 13-9. RAM Data Retention Supply Voltage in Stop Mode

($T_A = -40\text{ }^\circ\text{C}$ to $+85\text{ }^\circ\text{C}$)

Parameter	Symbol	Conditions	Min	Typ	Max	Unit
Data retention supply voltage	V_{DDDR}	–	2.2	–	3.4	V
Data retention supply current	I_{DDDR}	$V_{DDDR} = 2.2\text{ V}$	–	0.1	10	μA
Release signal set time	t_{SREL}	–	0	–	–	μs
Oscillator stabilization wait time (1)	t_{WAIT}	Released by RESET	–	$2^{17} / f_x$	–	ms
		Released by interrupt	–	(2)	–	

NOTES:

1. During oscillator stabilization wait time, all CPU operations must be stopped to avoid instability during oscillator start-up.
2. Use the basic timer mode register (BMOD) interval timer to delay execution of CPU instructions during the wait time.

TIMING WAVEFORMS

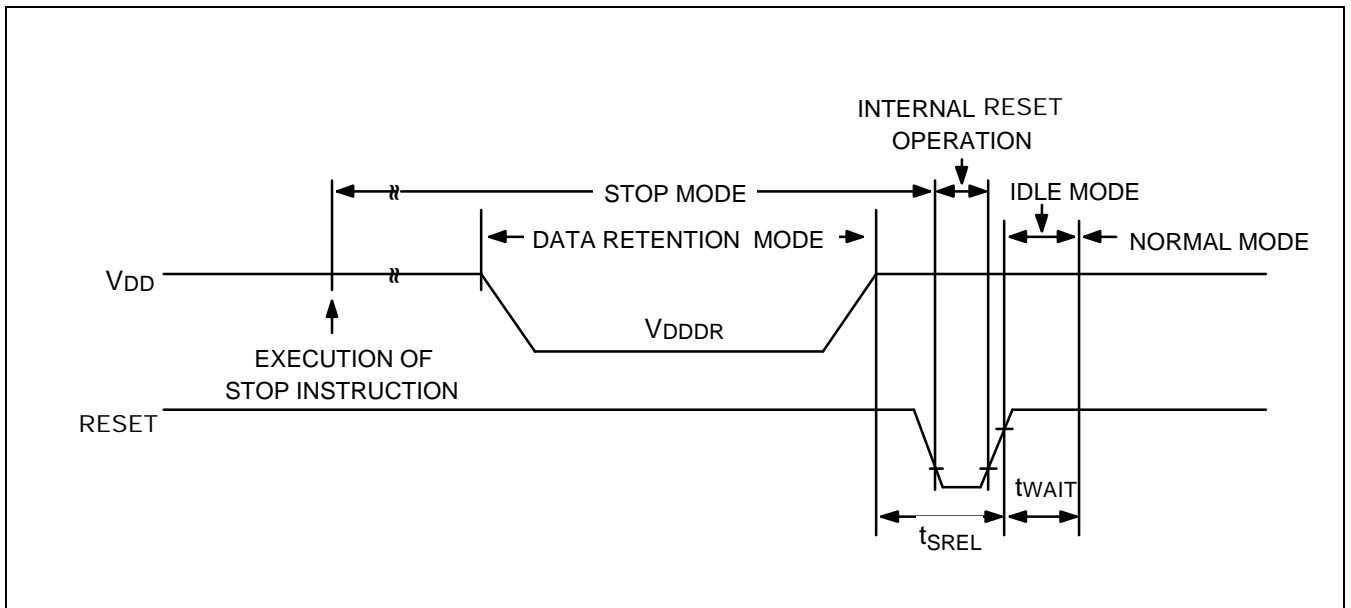


Figure 13-2. Stop Mode Release Timing When Initiated by RESET

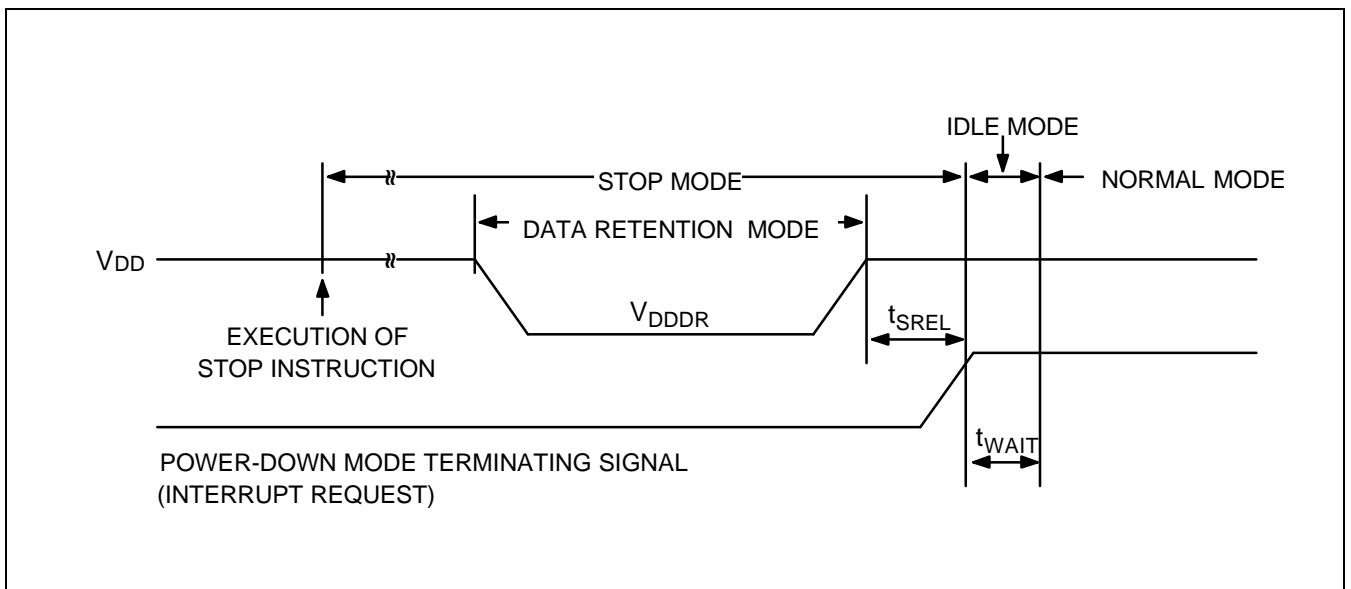


Figure 13-3. Stop Mode Release Timing When Initiated by Interrupt Request

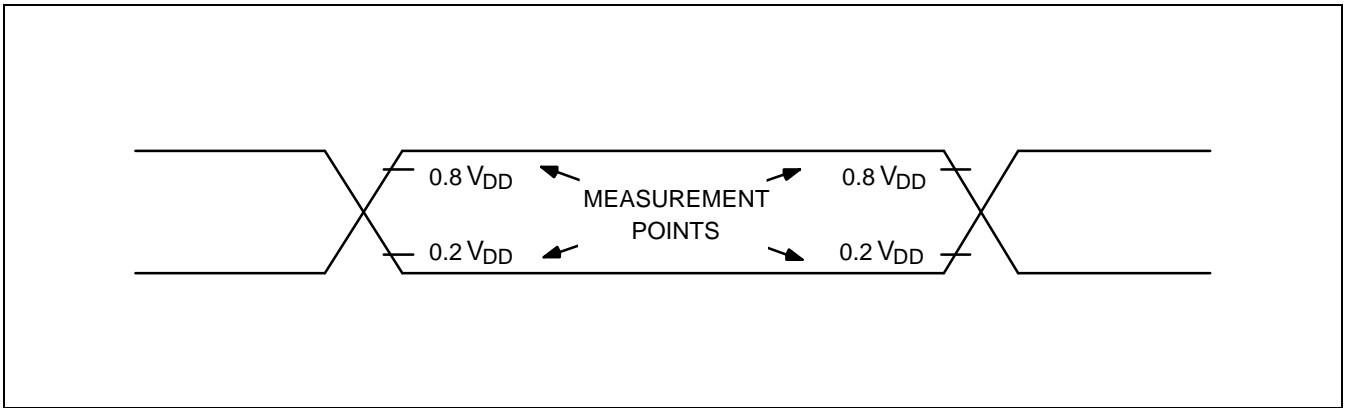


Figure 13-4. A.C. Timing Measurement Points (Except for X_{in} and XT_{in})

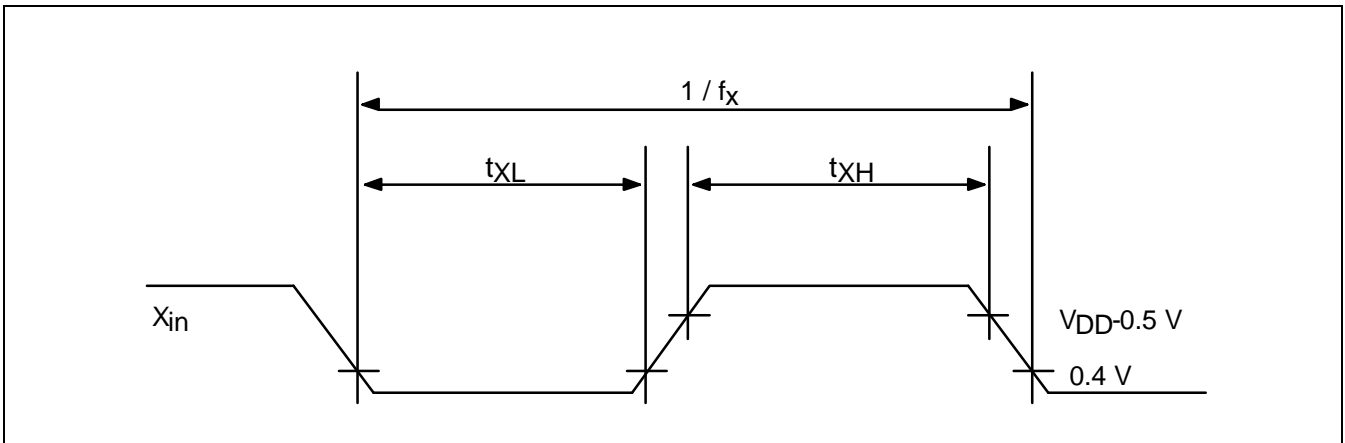


Figure 13-5. Clock Timing Measurement at X_{in}

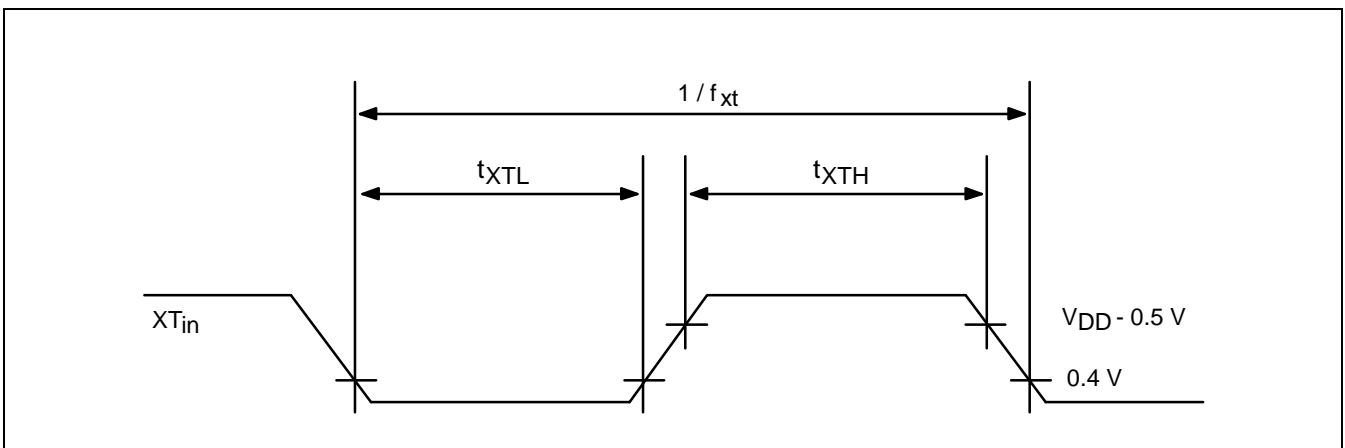


Figure 13-6. Clock Timing Measurement at XT_{in}

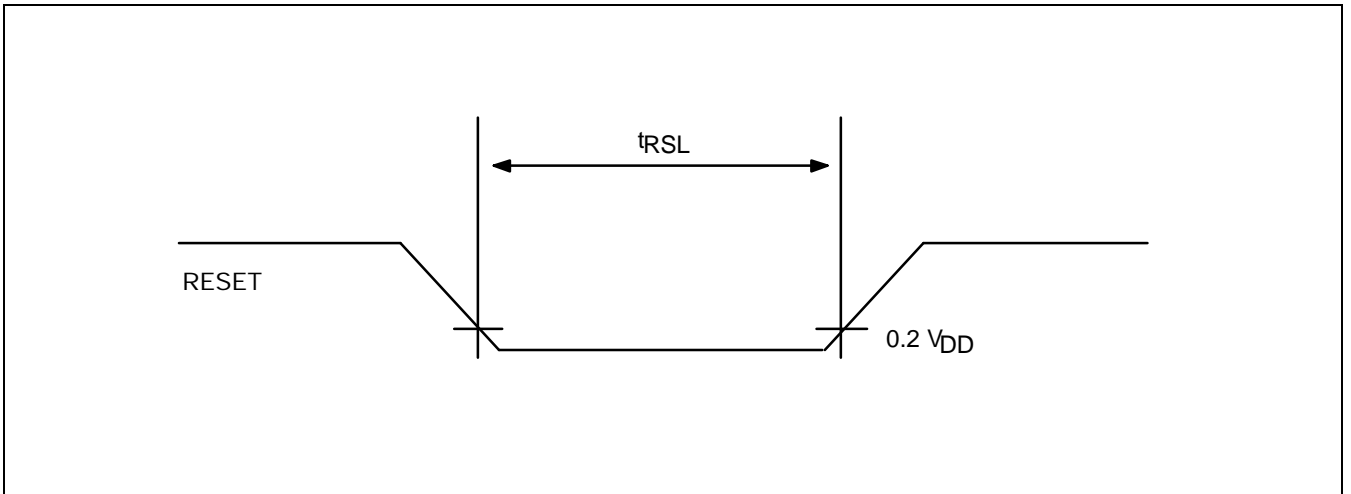


Figure 13-7. Input Timing for RESET Signal

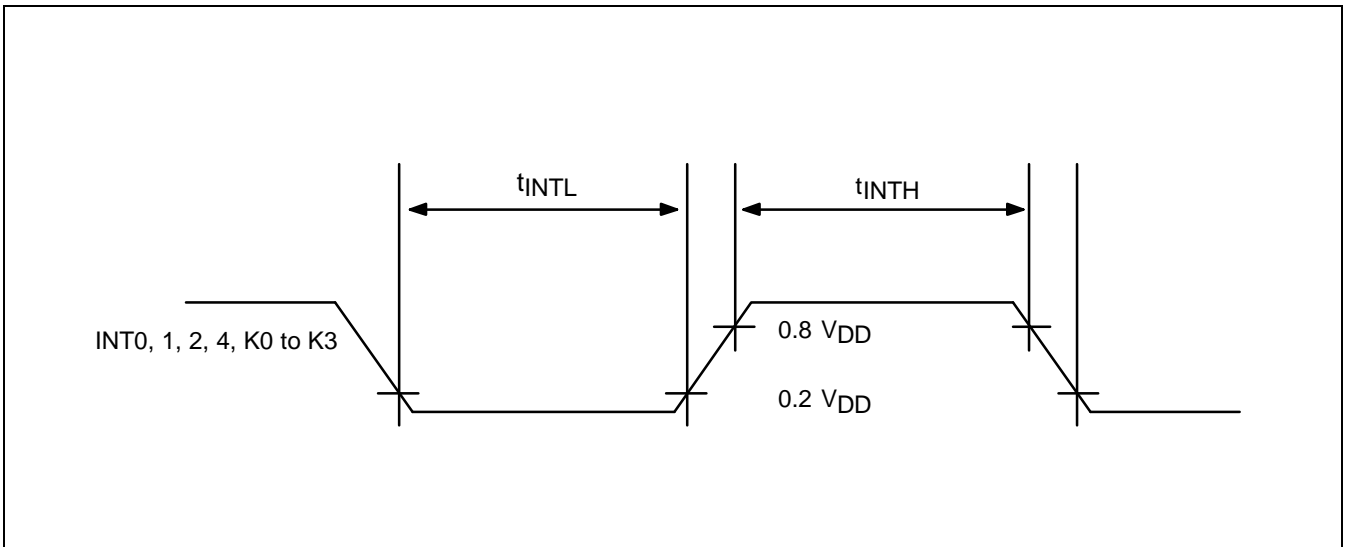


Figure 13-8. Input Timing for External Interrupts

NOTES

CHARACTERISTIC CURVES

NOTE

The characteristic values shown in the following graphs are based on actual test measurements.

They do not, however, represent guaranteed operating values.

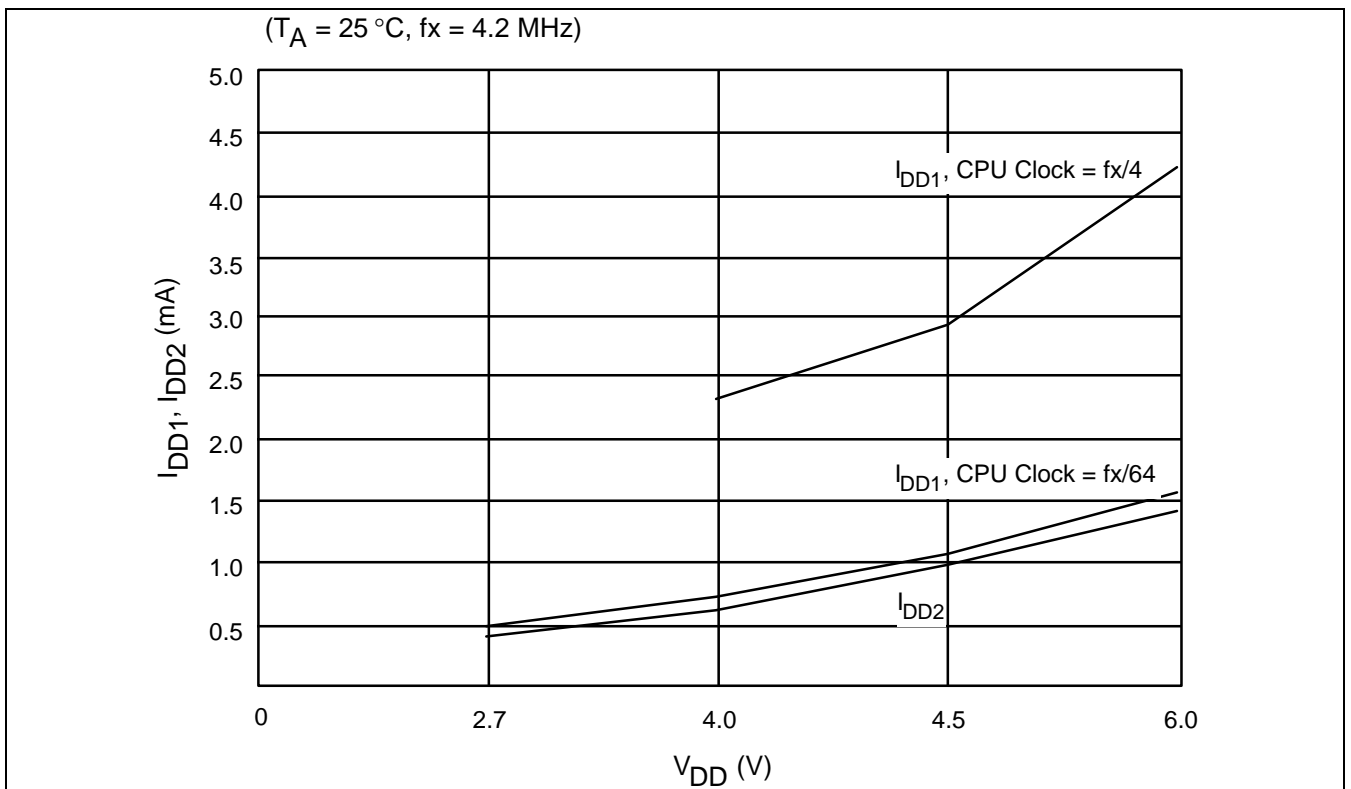
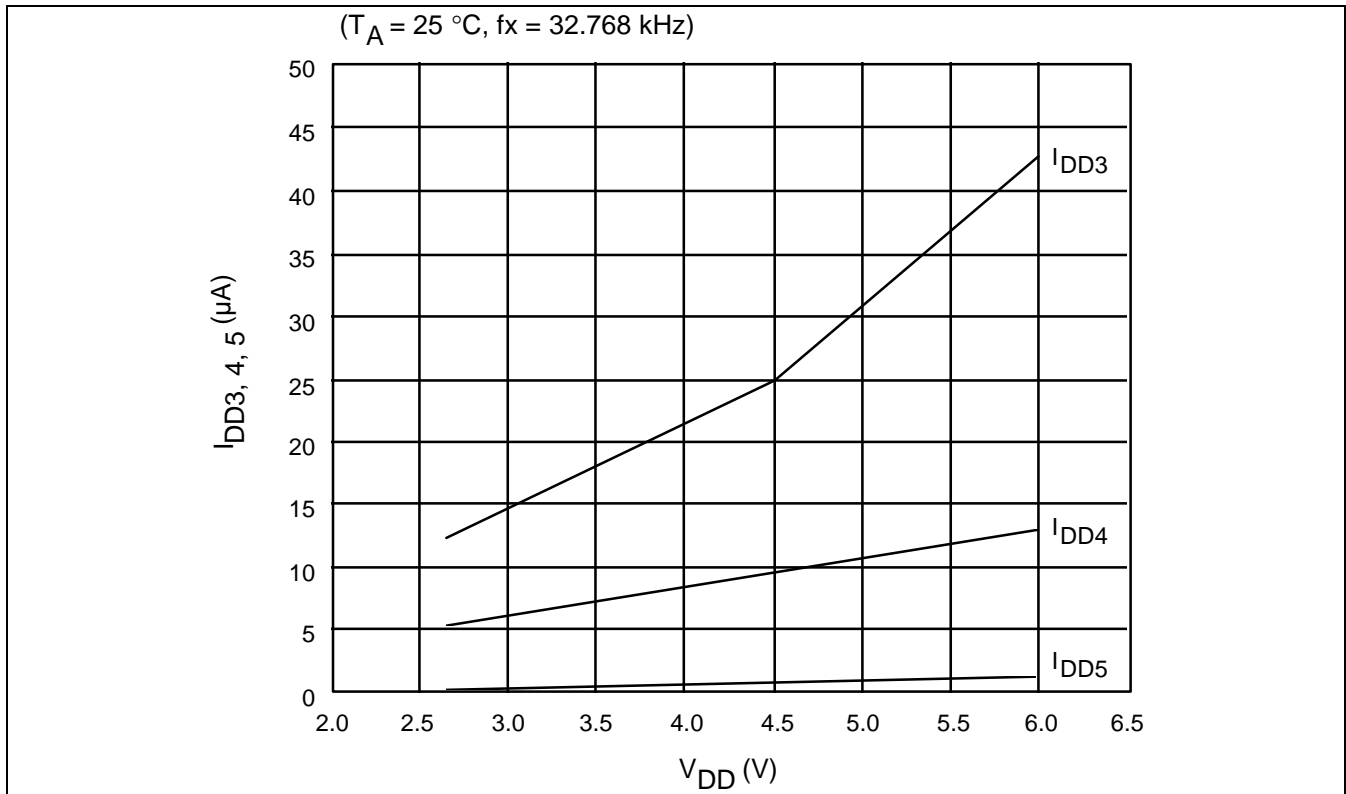


Figure 13-11. I_{DD1} , I_{DD2} VS. V_{DD}

Figure 13-12. I_{DD3} , I_{DD4} , I_{DD5} VS. V_{DD}

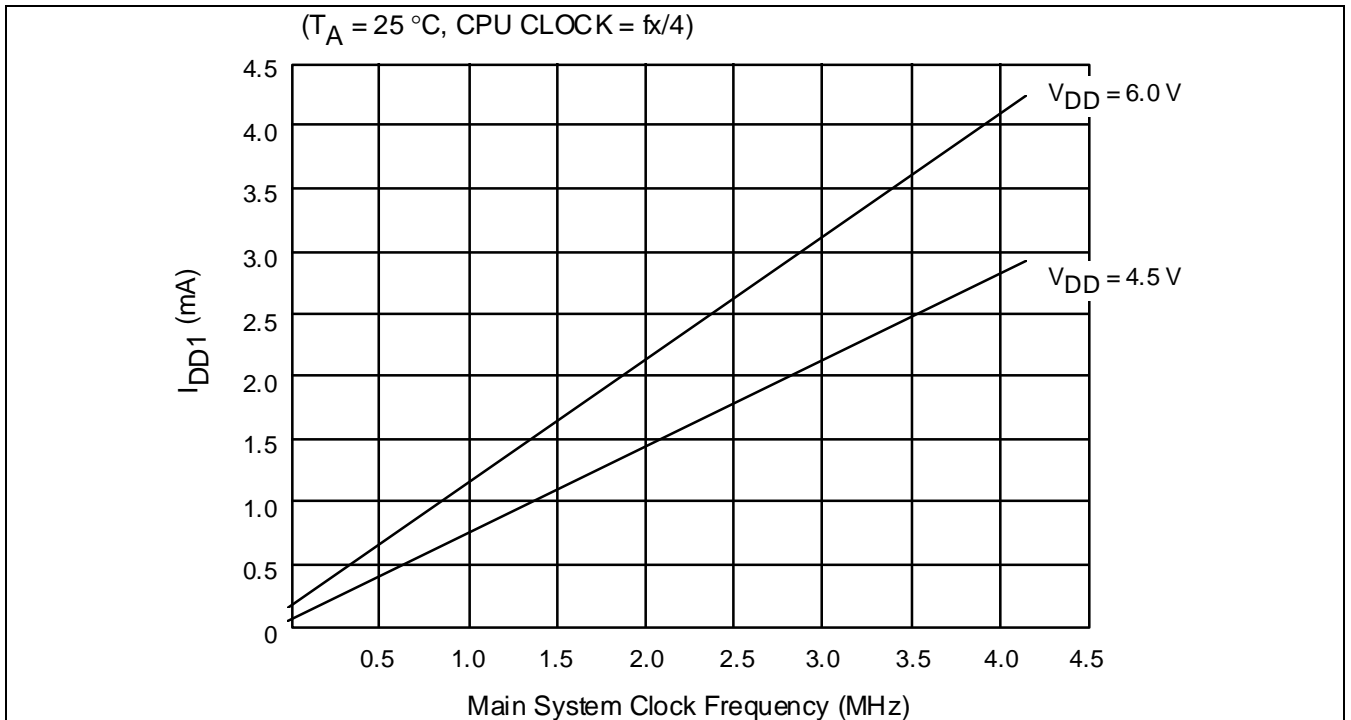


Figure 13-13. I_{DD1} VS. Main System Clock Frequency

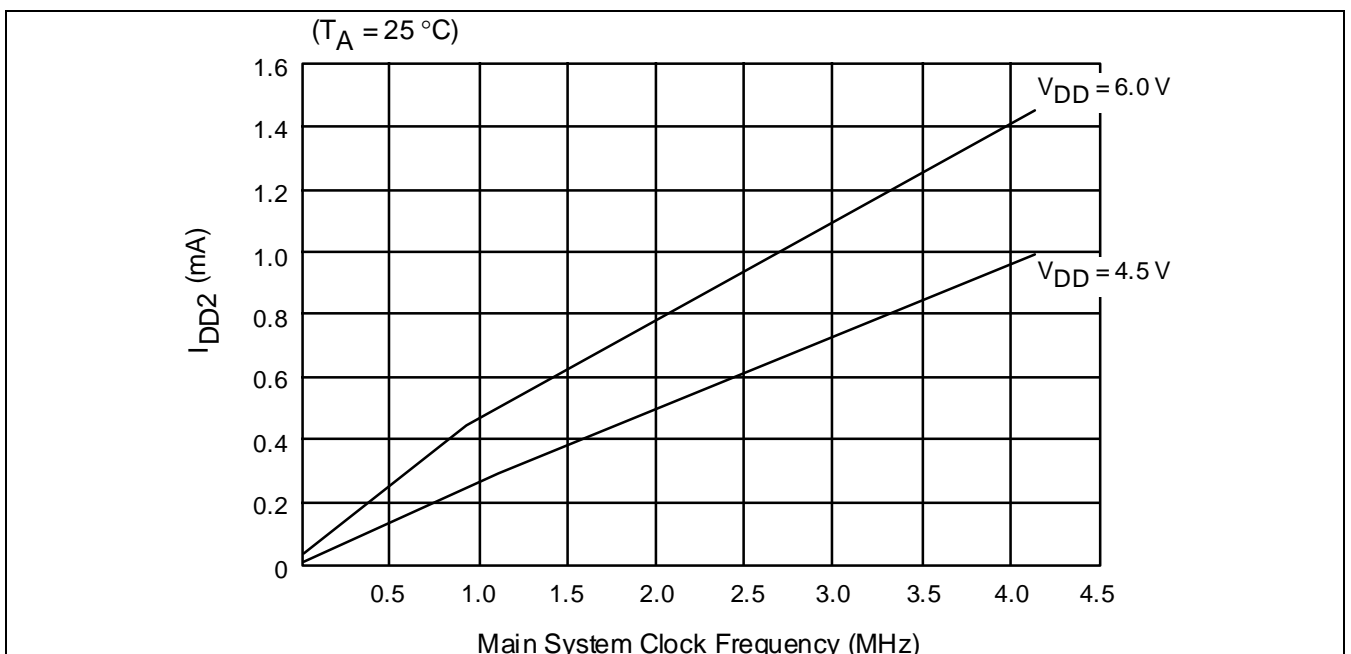
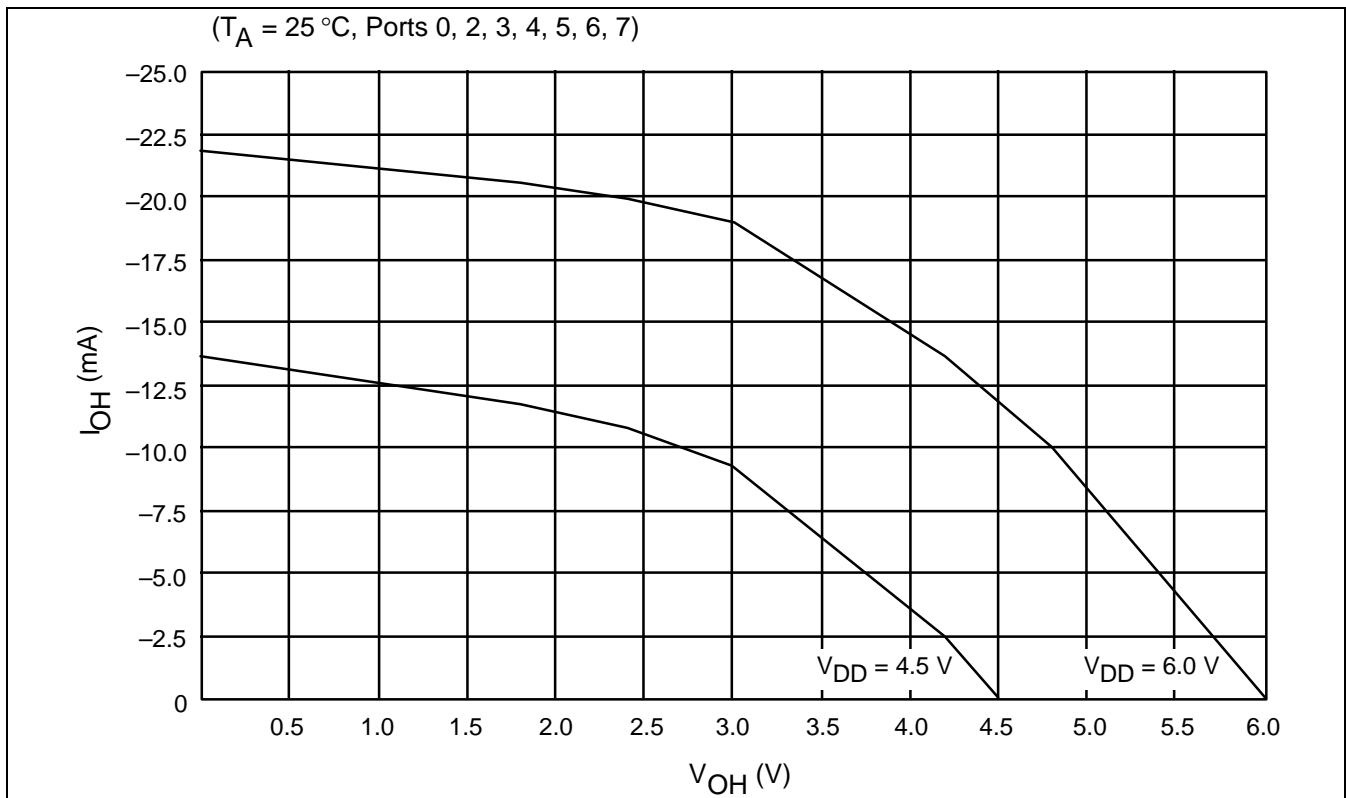


Figure 13-13. I_{DD2} VS. Main System Clock Frequency

Figure 13-15. I_{OH} VS. V_{OH} (P0, 2, 3, 4, 5, 6, 7)

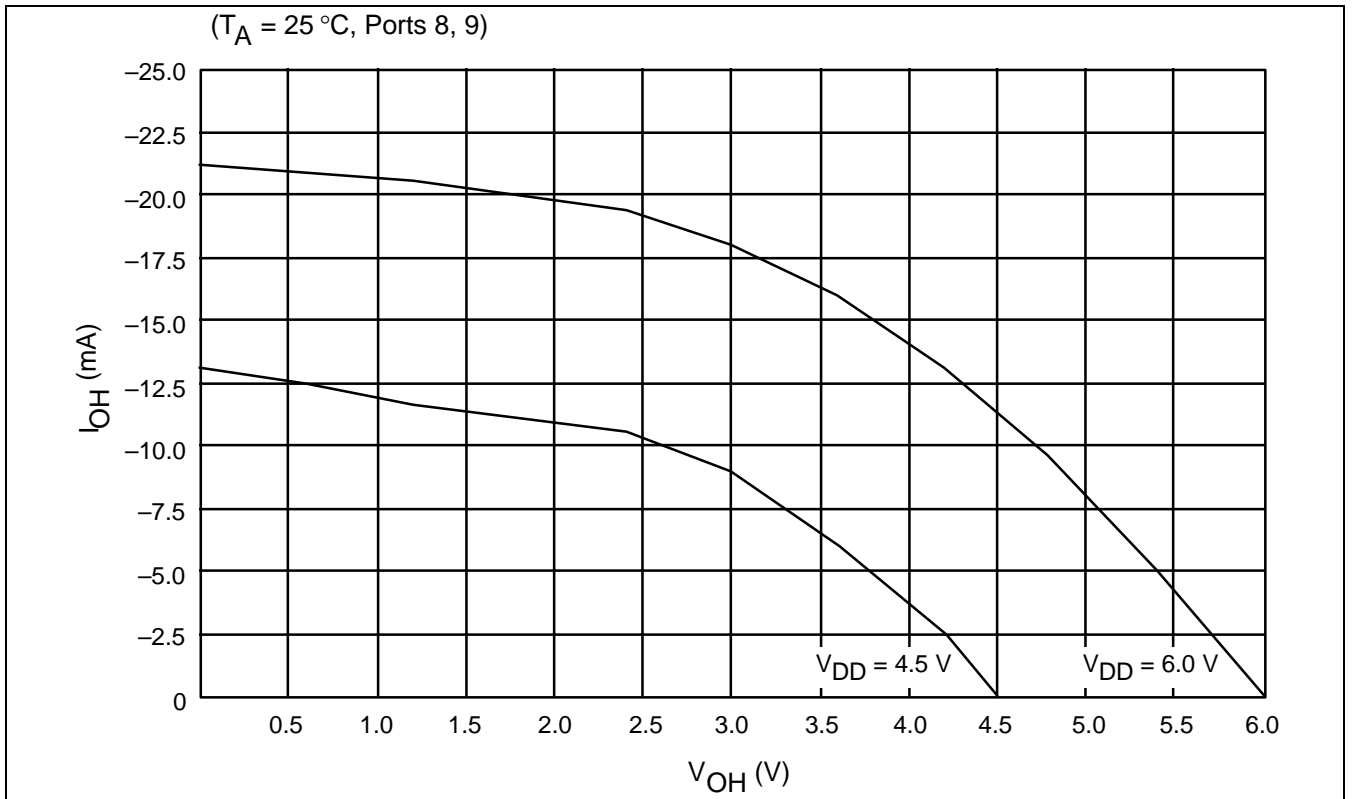
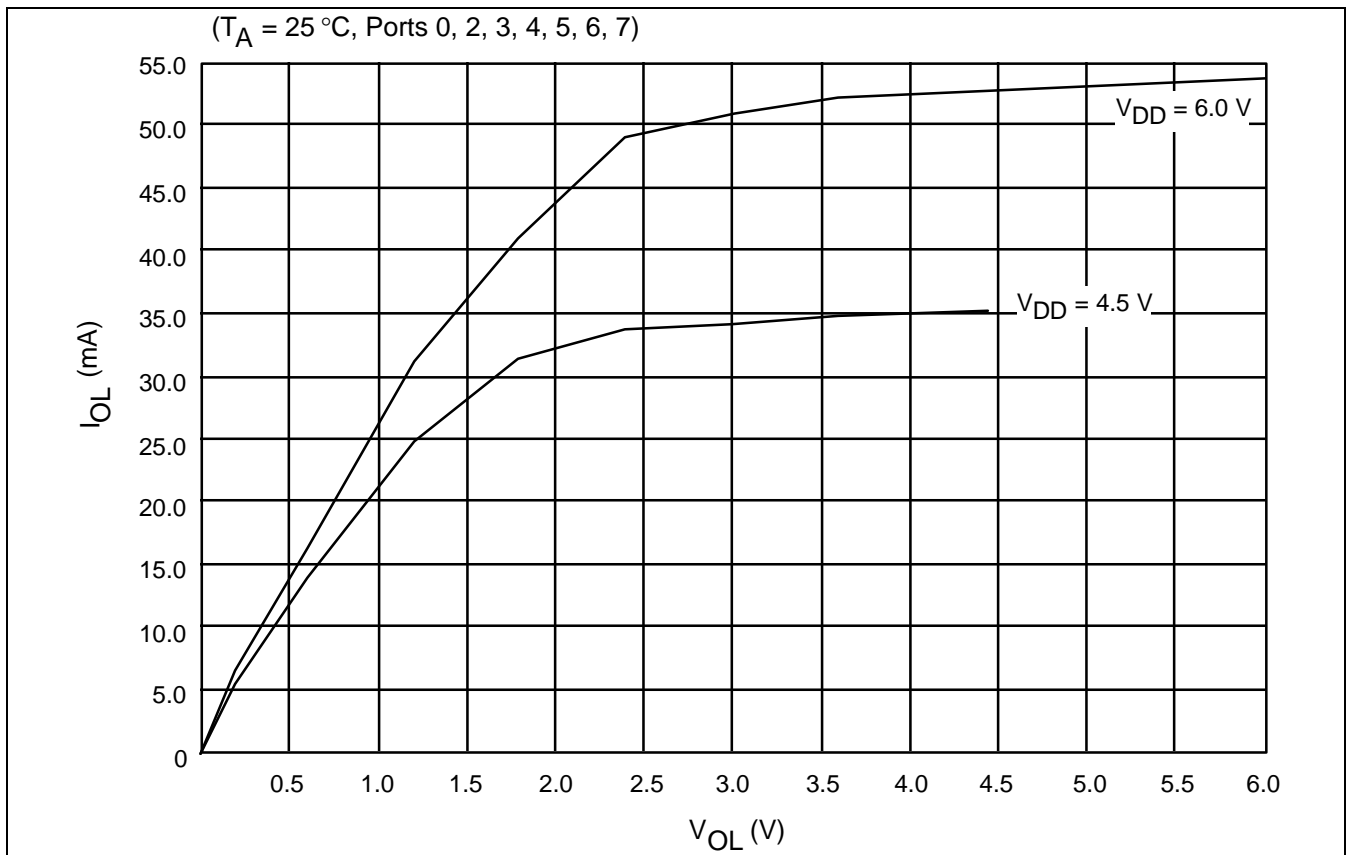


Figure 13-16. I_{OH} VS. V_{OH} (P8, 9)

Figure 13-17. I_{OL} VS. V_{OL} (P0, 2, 3, 4, 5, 6, 7)

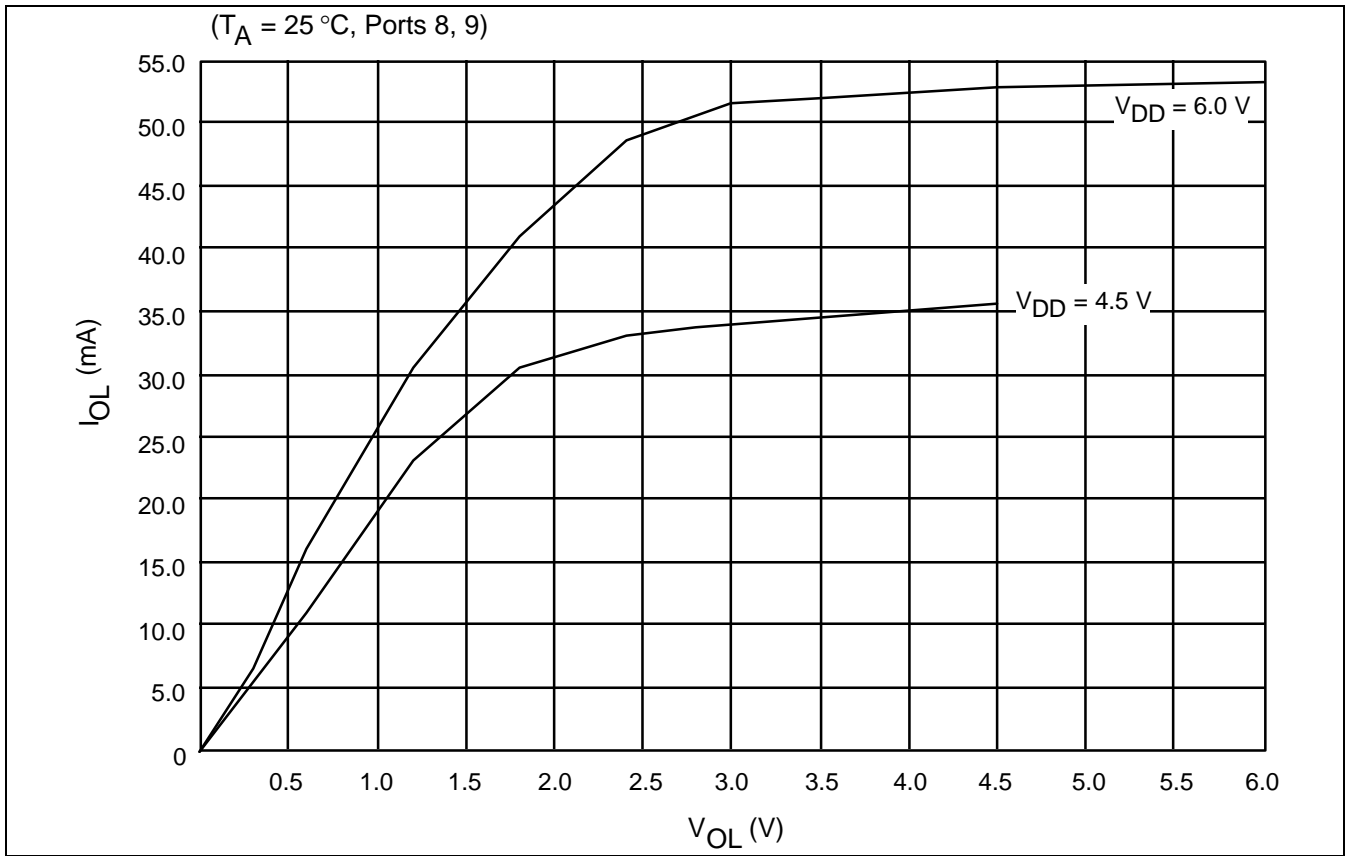


Figure 13-18. I_{OL} VS. V_{OL} (P8, 9)

14 MECHANICAL DATA

OVERVIEW

The S3C7295/P7295 is available in a 80-QFP-1420 package.

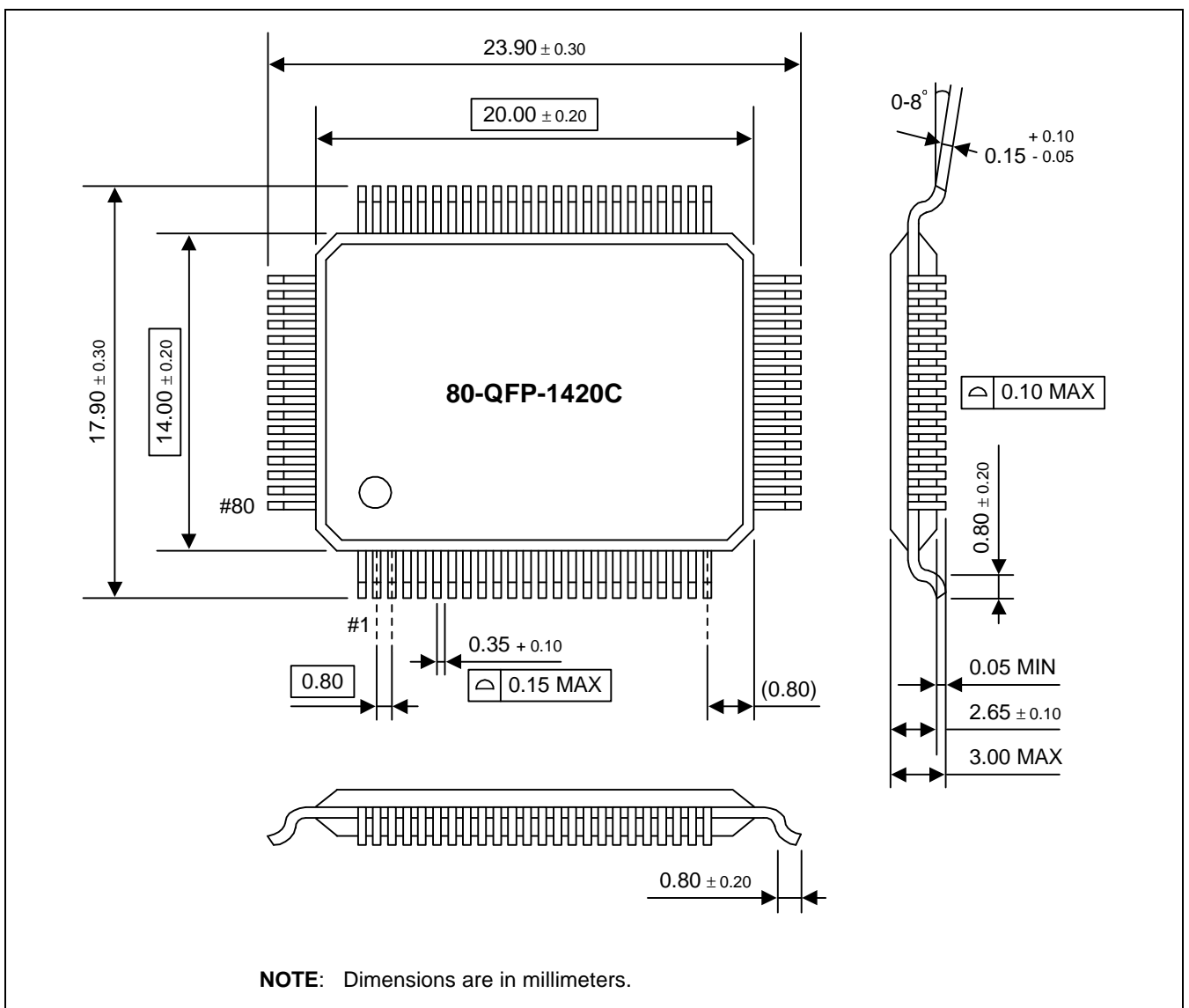


Figure 14-1. 80-QFP-1420C Package Dimensions

15

S3P7295 OTP

OVERVIEW

The S3P7295 single-chip CMOS microcontroller is the OTP (One Time Programmable) version of the S3C7295 microcontroller. It has an on-chip OTP ROM instead of masked ROM. The EPROM is accessed by serial data format.

The S3P7295 is fully compatible with the S3C7295, both in function and in pin configuration. Because of its simple programming requirements, the S3P7295 is ideal for use as an evaluation chip for the S3C7295.

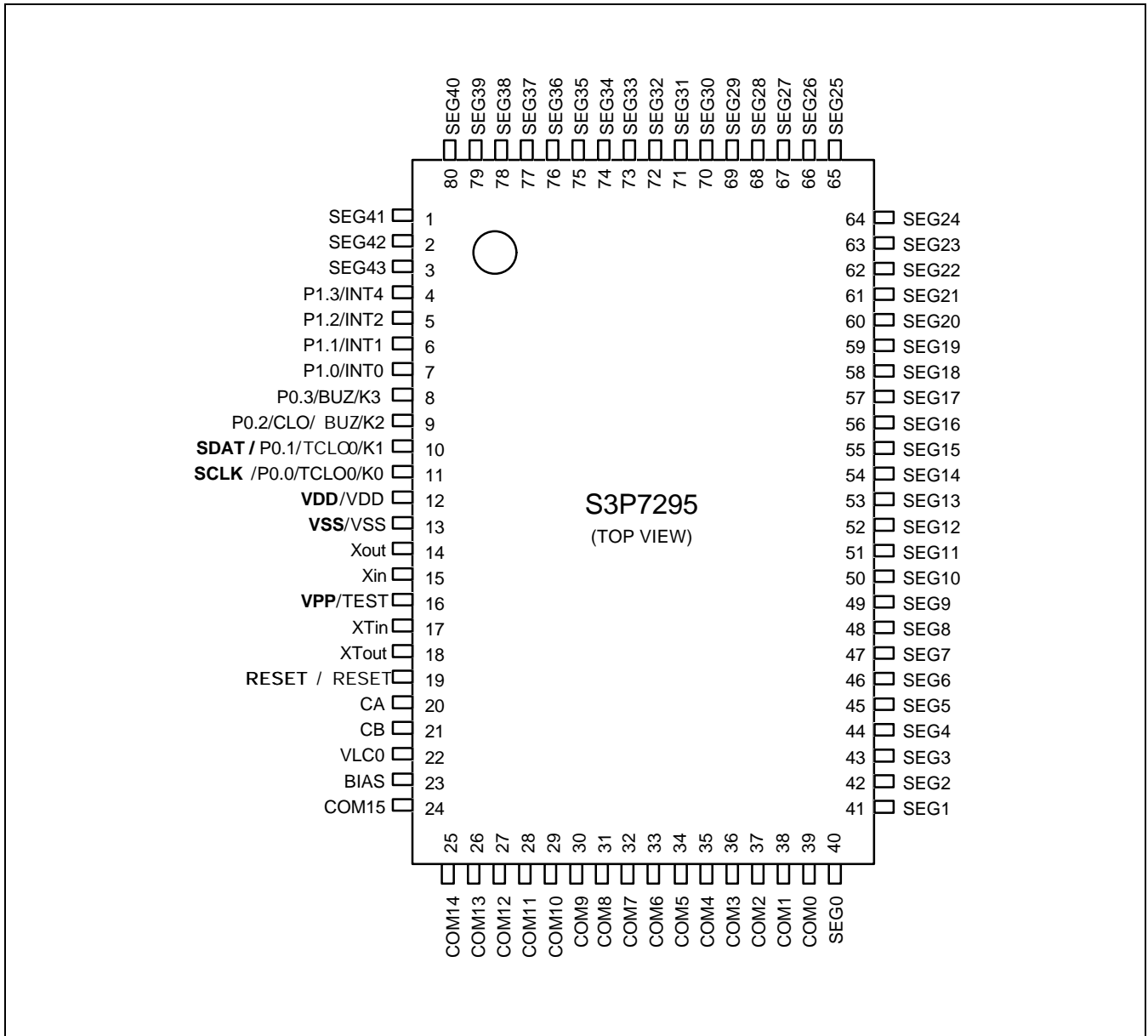


Figure 15-1. S3P7295 Pin Assignments (80-QFP Package)

Table 15-1. Descriptions of Pins Used to Read/Write the EPROM

Main Chip Pin Name	During Programming			
	Pin Name	Pin No.	I/O	Function
P0.1	SDAT	10	I/O	Serial data pin. Output port when reading and input port when writing. Can be assigned as a Input/push-pull output port.
P0.0	SCLK	11	I/O	Serial clock pin. Input only pin.
TEST	V _{PP} (TEST)	16	I	Power supply pin for EPROM cell writing (indicates that OTP enters into the writing mode). When 12.5 V is applied, OTP is in writing mode and when 5 V is applied, OTP is in reading mode. (Option)
RESET	RESET	19	I	Chip initialization
V _{DD} /V _{SS}	V _{DD} /V _{SS}	12/13	I	Logic power supply pin. VDD should be tied to +5 V during programming.

Table 15-2. Comparison of S3P7295 and S3C7295 Features

Characteristic	S3P7295	S3C7295
Program Memory	16 Kbyte EPROM	16 Kbyte mask ROM
Operating Voltage (V _{DD})	2.2 V to 3.4 V	2.2 V to 3.4 V
OTP Programming Mode	V _{DD} = 5 V, V _{PP} (TEST)=12.5V	
Pin Configuration	80 QFP	80 QFP
EPROM Programmability	User Program 1 time	Programmed at the factory

OPERATING MODE CHARACTERISTICS

When 12.5 V is supplied to the V_{PP}(TEST) pin of the S3P7295, the EPROM programming mode is entered. The operating mode (read, write, or read protection) is selected according to the input signals to the pins listed in Table 15-3 below.

Table 15-3. Operating Mode Selection Criteria

V _{DD}	V _{PP} (TEST)	REG/MEM	Address (A15-A0)	R/W	Mode
5 V	5 V	0	0000H	1	EPROM read
	12.5 V	0	0000H	0	EPROM program
	12.5 V	0	0000H	1	EPROM verify
	12.5 V	1	0E3FH	0	EPROM read protection

NOTE: "0" means Low level; "1" means High level.

Table 15-4. D.C. Electrical Characteristics

($T_A = -40\text{ }^\circ\text{C}$ to $+85\text{ }^\circ\text{C}$, $V_{DD} = 2.2\text{ V}$ to 3.4 V)

Parameter	Symbol	Conditions	Min	Typ	Max	Units	
Supply Current (1)	IDD1	$V_{DD} = 3\text{ V} \pm 10\%$ 4.19 MHz (PCON=3H) crystal oscillator $C1 = C2 = 22\text{ pF}$	-	1.3	3.0	mA	
	IDD2	Idle mode; $V_{DD} = 3\text{ V} \pm 10\%$ 4.19 MHz (PCON=3H) crystal oscillator $C1 = C2 = 22\text{ pF}$		0.4	1.0		
Supply Current (2)	IDD3 (2)	$V_{DD} = 3\text{ V} \pm 10\%$ 32 kHz crystal oscillator	-	15	30	μA	
	IDD4 (2)	Idle mode; $V_{DD} = 3\text{ V} \pm 10\%$ 32 kHz crystal oscillator		5	15		
	IDD5	Stop mode; $V_{DD} = 3\text{ V} \pm 10\%$		SCMOD=0000B, XTIn=0V	0.5		3
		Stop mode; $V_{DD} = 3\text{ V} \pm 10\%$		SCMOD=0100B	0.2		2

NOTES:

1. Data includes power consumption for subsystem clock oscillation.
2. When the system clock control register, SCMOD, is set to 1001B, main system clock oscillation stops and the subsystem clock is used.
3. Current in the following circuits are not included; on-chip pull-up resistors, internal LCD voltage dividing resistors, voltage doubler, and output port drive currents.

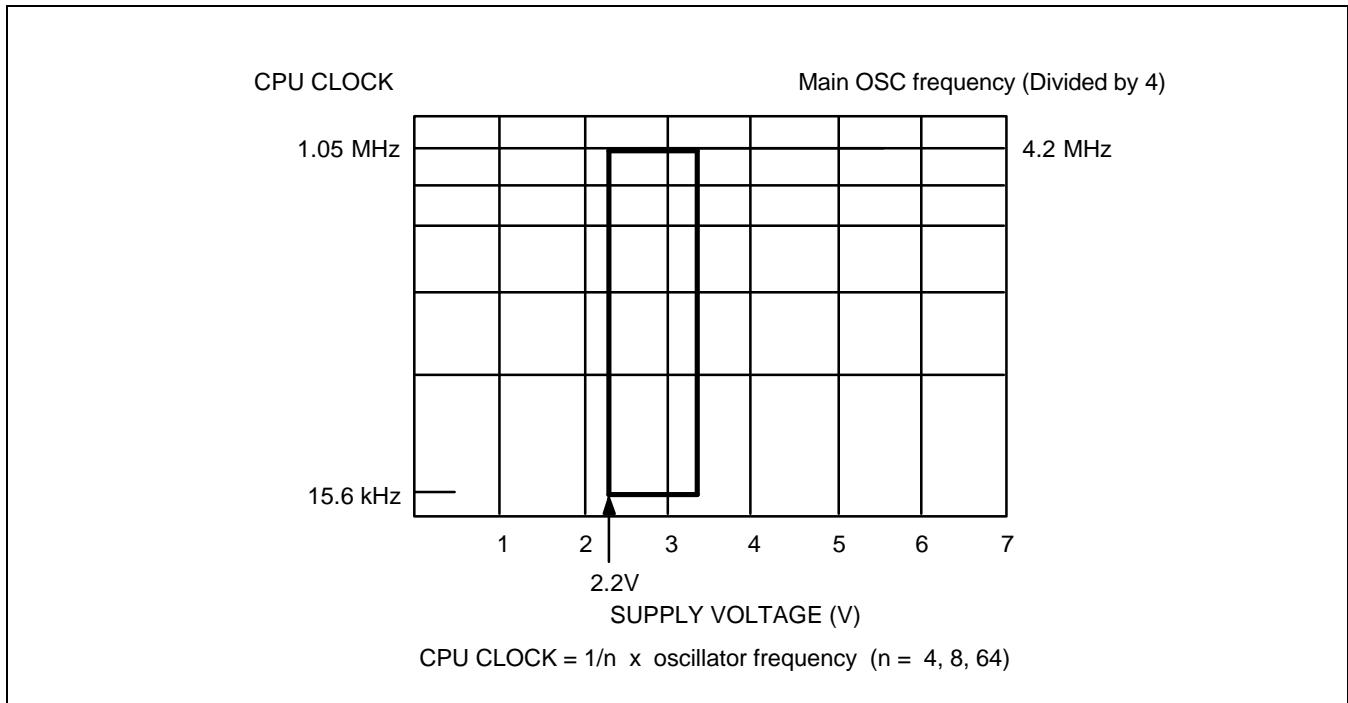


Figure 15-2. Standard Operating Voltage Range