

Technical Data Sheet

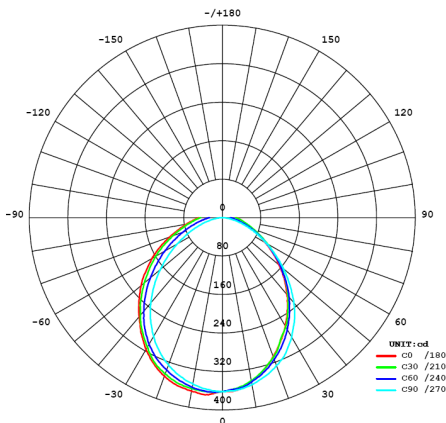
SL-Cobra T5 Tube



Features

- Light source: Everlight SMD LED
- No heat, NO UV or IR light radiation
- Full range of white colors available
- Ra>75 for white color
- Custom optimized heat fins nature convention
- Long Lifetime >35000 hours(L₇₀)
- G5 socket Compatible
- Power consumption up to 10W, 15W, 20W for lengths 600 mm, 900 mm, 1200 mm of Cobra separately.

Characteristics Intensity Distribution Curve



Typical Applications

- Indoor Lighting
- Architectural Lighting
- Flood Lighting
- Mood Lighting
- Agricultural Lighting
- T5 Luminaire Replacement

Product Specification

Parameter	Description
Optical lens	PC optical lens
Housing	Anodizing Aluminum
Pin Type	2 copper pins, G5 Standard Size
Operation Temperature	-20°C~+40°C
Storage Temperature	-40°C~+70°C
Power Input	48 VDC Input

Coding of part number:

SL-Cobra/ T5 / 048DC/ C/ P10/ HF/ D40
 1 2 3 4 5 6 7

1. Product series

SL-Cobra: LED Tube

2. Diameter of the Tube

T5: 16mm

3. Input Voltage

048DC: 48 VDC input

4. LED Type

C: Everlight SMD LED series

5. Power Consumption

P10: 10 Watt (for 600 mm cobra)
 P15: 15 Watt (for 900 mm cobra)
 P20: 20 Watt (for 1200 mm cobra)

6. Lens Type

HF: Heavily Frosted
 LF: Lightly Frosted

7. Color Temperature

D30: 2670K~3050K
 D40: 3800K~4500K
 D50: 5000K~5650K
 D60: 5650K~6300K

Technical Data Sheet

SL-Cobra T5 Tube

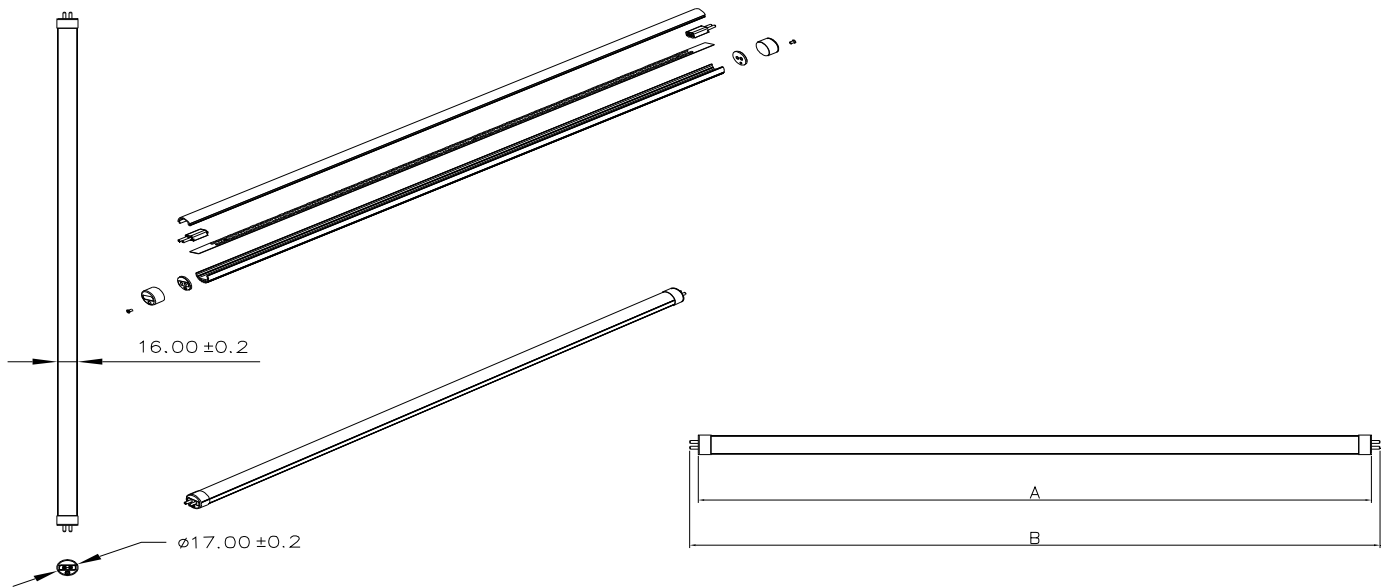
Luminosity Output

According to CIE publication: NO. 84 "The measurement of luminous flux." Luminous intensity distribution was measured by Goniophotometer system.

Lumen Output (Lm)*	Lightly Frosted (LF)				Heavily Frosted (HF)			
	3000K	4000K	5000K	6000K	3000K	4000K	5000K	6000K
SL-Cobra/T5/48DC/C/P10	640	760	800	800	480	570	600	600
SL-Cobra/T5/48DC/C/P15	900	1100	1200	1200	700	850	900	900
SL-Cobra/T5/48DC/C/P20	1200	1500	1600	1600	950	1100	1200	1200

* The above values are rounded and are for reference only.

Product Dimensions



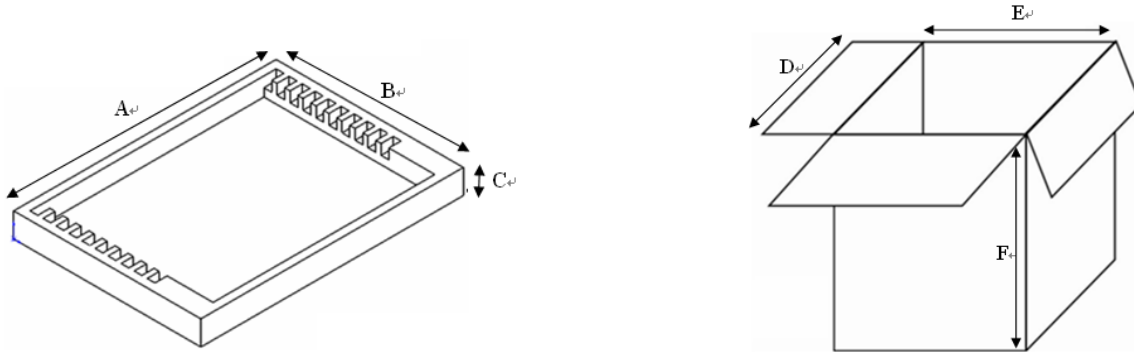
Model	A(mm)	B(mm)
T5/048DC/C/P10	549.0	563.2
T5/048DC/C/P15	849.0	863.2
T5/048DC/C/P20	1149.0	1163.2

- Notes: 1) Dimensions are in millimeters
 2) Standard tolerance is +/-0.5 mm unless stated
 3) Lighting module compatible for G5 pin type

Technical Data Sheet

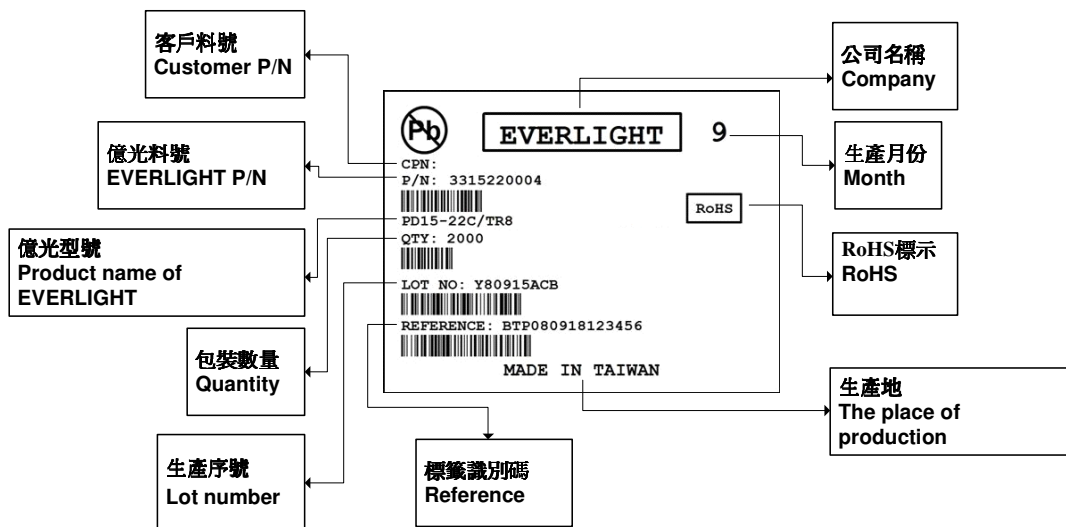
SL-Cobra T5 Tube

Packaging Dimension



Note (mm)	SL-Cobra/.../ P10 ...	SL-Cobra/.../ P15 ...	SL-Cobra/.../ P20 ...
A	600	900	1200
B	295	295	295
C	41	41	41
D	610	920	1210
E	305	305	305
F	252	252	252
Tubes per Carton	50	50	50
Total Weight (Kg)	7	10	12

Label Explanation

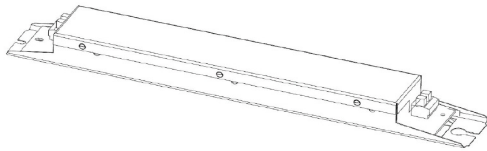


Technical Data Sheet

SL-Cobra T5 Tube

Accessories

- Power Supply



P/N	Introduction	Mechanical (mm)	Input Voltage (V)	Output Voltage (V)	Efficiency (%)
ADP-CV480240-BO1	AC to DC power transfer device	300x29x18	Normal:100~240Vac Max:90~264Vac	+48V +/-5%	80% ± 3% @ MAX load
ADP-CV480480-BO1		300x29x18			85% ± 3% @ MAX load
ADP-CV480960-BO1		318x45x28			90% ± 3% @ MAX load
ADP-CV481440-BO1		318x45x28			90% ± 3% @ MAX load

P/N	Amp Spec.	PSU For Different no. Of Cobras
ADP-CV480240-BO1	0.24	P10x1
ADP-CV480480-BO1	0.48	P10x2, P15x1, P20x1
ADP-CV480960-BO1	0.96	P10x3, P10x4, P20x2, P20x4*
ADP-CV481440-BO1	1.44	P20x3

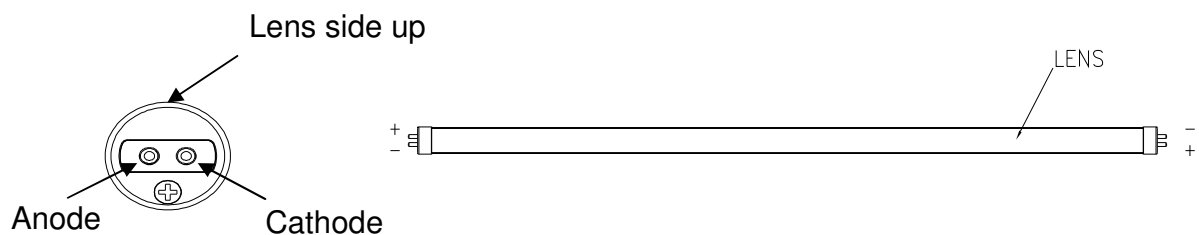
* 4 pcs of P20 tubes should be connected with 2 pcs of ADP-CV480960-B01 power supplies

Technical Data Sheet**SL-Cobra T5 Tube****Application Notes**

The Cobra T5 tube series is not a direct replacement for florescent T5 lamps but can be used in many practical applications. Everlight utilized optical, electrical, and thermal technologies to develop and drive our solid state lighting devices. Please note the following specifications for comprehensive use of product:

1. G5 Socket Compatible:

The electrical polarity is defined as the diagram below. 48 VDC input must be provided on the both side of the tube in order to light on whole tube.

**2. Thermal Dissipation:**

- The better thermal dissipation it is, the better life time & light output it has.
- It is strongly advised to keep the temperature of the heat sink of this LED tube under the 70°C. Sufficient ventilation of the luminaire is crucial to Cobra T5 tube.