

# Pulse Transformer

Flammability: Materials used in the production of these units meet requirements of UL94-VO and IEC 695-2-2 needle flame test.

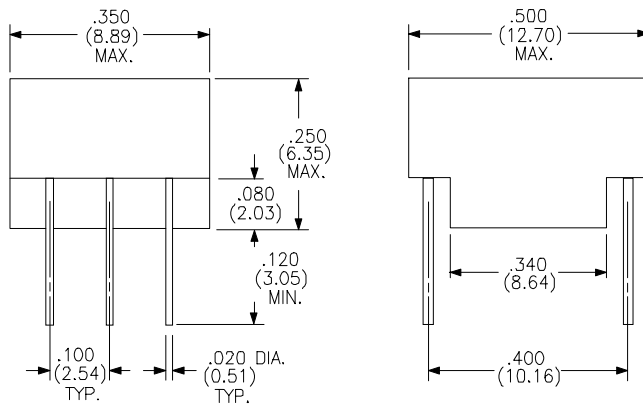
Parts shipped in anti-static tubes. 50 pieces per tube

Turns Ratio ( $\pm 5\%$ ) 40 : 1 : 1

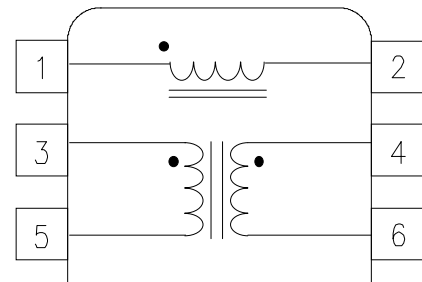
Electrical Specifications @ 25°C

PARAMETER	MIN.	MAX.	UNITS
Open Circuit Inductance 20mV, @ 10.0 KHz (Pins 1-2)	19		mH
Leakage Inductance 20mV, @ 100.0 KHz (Pins 1-2 short Pins 3, 4, 5, 6)		500	$\mu$ H
Interwinding Capacitance ( $C_{WWW}$ ) 20 mV, @ 100.0 KHz (Pins 1-2 to 4-5)		8	pF
Primary DC Resistance (Pins 1-2)		3.0	ohms
Secondary DC Resistance (3-5 or 4-6)		0.10	ohms
Isolation (HI-POT)	1.5 Kv		$V_{RMS}$

## PHYSICAL DIMENSIONS inches (mm)



## SCHEMATIC DIAGRAM



**Primary Pins 1-2**

Rhombus P/N: **T-705**

Cust. P/N:

Name:

Date: **1/19/99**

Sheet: 1 of 1