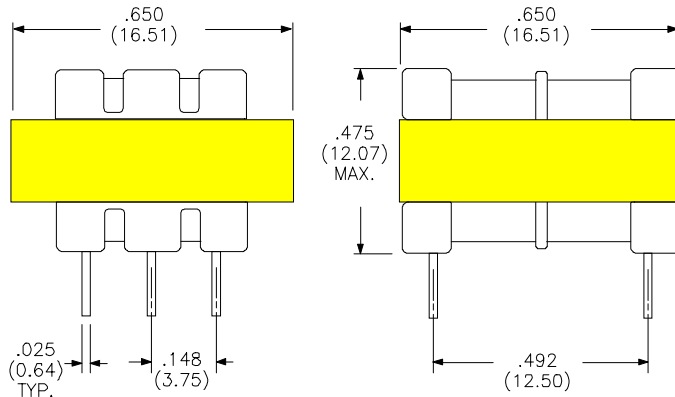
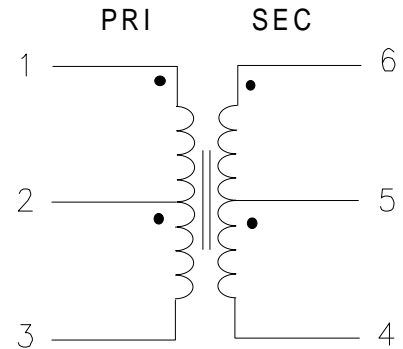


PARAMETER		UNITS
Primary / Secondary Impedance	600/600	Ω
Turns Ratio*	1CT: 1CT	
Longitudinal Balance 200 - 4000 Hz	60 min.	dB
DC Resistance*	37	Ω Max.
Frequency Response 300 - 3000Hz	± 1	dB
Insertion Loss	2.0 min. @ 1kHz	dB
Isolation (HI-POT)	1500	V _{RMS}
Insulation Resistance @ 100 V	5000 min.	M Ω
Primary DC	None	
Inductance Tested @ 300 Hz & 1.8 V	1.4	H
Return Loss	20 min @ 1kHz	dB
Total Harmonic Distortion @ 450 Hz, Level @Load -9dBm	-80	dB

T-759

SCHEMATIC DIAGRAM



Physical Dimensions
in inches (mm)

***NOTE:**
Windings are symmetrical and unit may be inserted in circuit either way.

RHOMBUS INDUSTRIES INC. FSCM NO. 16714

RHOMBUS P/N: T-759

CUST P/N:

NAME:

DATE: 5/01/01

SHEET: 1 OF 1