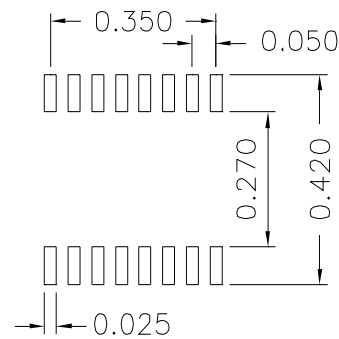
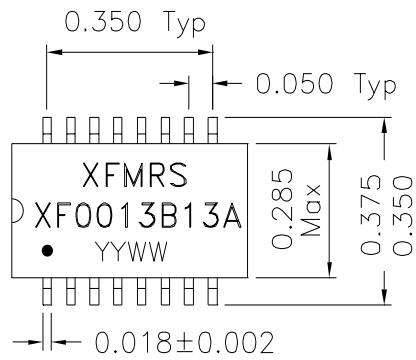
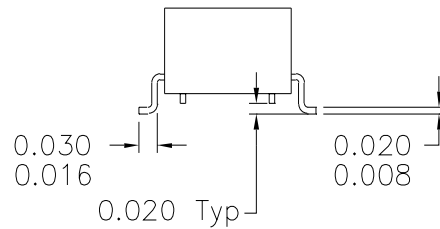
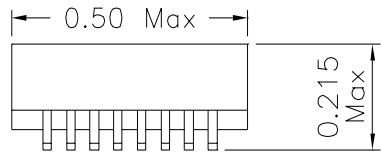
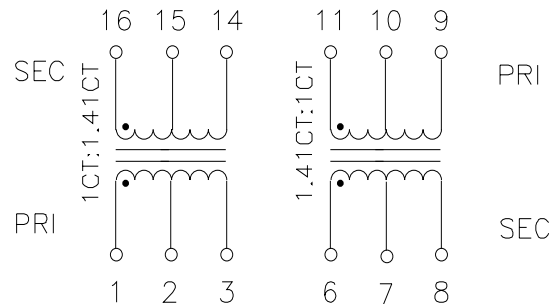


1. Dimensions:



SUGGESTED FOOTPRINT

2. Schematic:



3. Electrical Specifications: @25°C

Isolation Voltage: 1500 Vrms

Turns Ratio: (1-2-3):(16-15-14)=1CT:1.41CT ±3%
 (11-10-9):(6-7-8)=1CT:1.41CT ±3%

PRI OCL: 1.2mH MIN. @100KHz 50mV

Cw/w: 30pF MAX. @100KHz 50mV (PRI/SEC)

PRI LL: 0.6uH MAX. @100KHz 50mV (SEC Shorted)

PRI DC Resistance: 0.7 Ohms MAX.

SEC DC Resistance: 0.9 Ohms MAX.

DOC. REV: A/1

XFMRS Inc	Title: TRANSFORMER	
	UNLESS OTHERWISE SPECIFIED TOLERANCES: .xxx ±0.010 Dimensions in Inch	P/N: XF0013B13A REV. A
	DWN.	李清儿 Feb-23-99
	CHK.	孙悦 Feb-23-99
SCALE 2.5:1 SHT 1 OF 1	APP.	Joe Huff Feb-23-99