

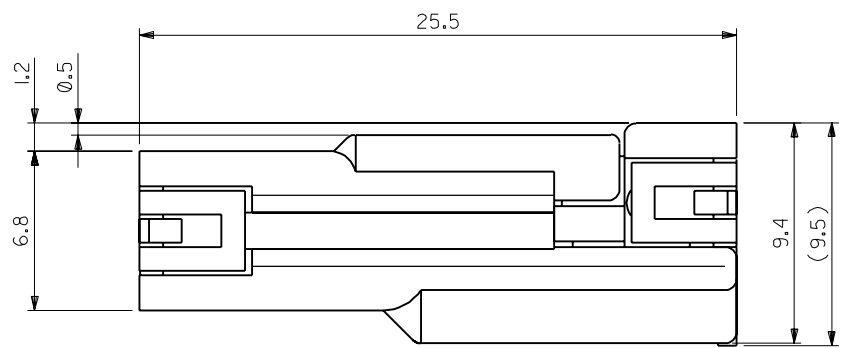
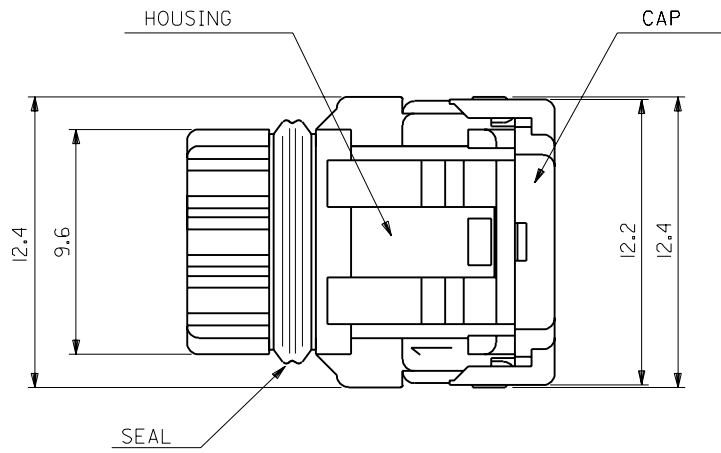
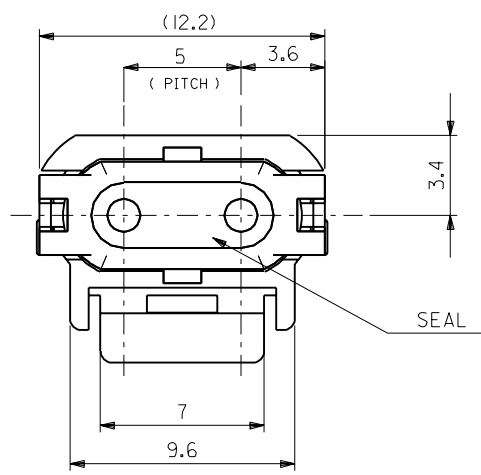
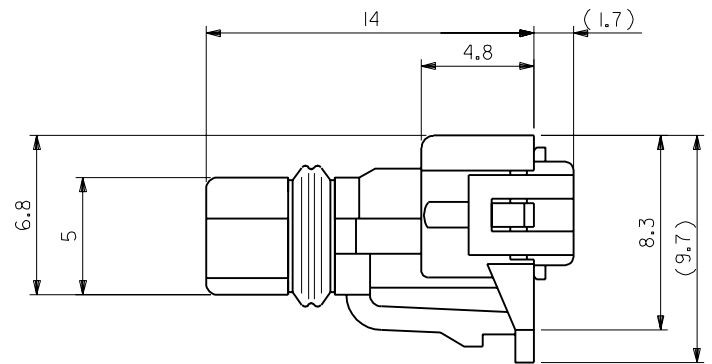
嵌合状態図
FULLY MATED CONDITION

NOTE

- 適合ターミナル: 50039-8*00
APPLICABLE TERMINAL : 50039-8*00
- 材料
MATERIAL
キャップ: ポリエステル (ガラス15%含有)
CAP: POLYESTER(15% GF)
ハウジング: ポリエステル (ガラス15%含有)
HOUSING: POLYESTER(15% GF)
シール: シリコンゴム
SEAL: SILICONE RUBBER
- 嵌合相手: 52116-02**
MATE WITH: 52116-02**
- 表の色はハウジング色を表す。
HOUSING COLOR IS SHOWN IN CHART
- ELV及びRoHS適合品
ELV AND RoHS COMPLIANT

AVSS0.3, AWG#20-22	白 WHITE	52117-0243
AVS0.3, AWG#20-22	赤 RED	52117-0242
AVS0.3, AWG#20-22	黒 BLACK	52117-0241
AVS0.3, AWG#20-22	白 WHITE	52117-0240
適用電線範囲 APPLICABLE WIRE RANGE	色 COLOR	ENG. NO.

REVISED & REDRAWN EC NO: JTR2009-0017 DRWN: T. IIDA01 2008/07/23 CHKD: TAITO 2008/07/23 APPR: AKANESHIGE 2008/07/23	GENERAL TOLERANCES (UNLESS SPECIFIED)		DIMENSION STYLE MM ONLY	SCALE 5:1	DESIGN UNITS METRIC	THIRD ANGLE PROJECTION	
	10 UNDER	±0.2	DRAWN BY Y. ASHIZAWA	DATE 1988/7/8	TITLE 2.5 SPLASH PROOF CONN. REC. HSG ASSY W/POSITIVE LOCK		
	10 OVER 30 UNDER	±0.25	CHECKED BY M. SAKANO	DATE 1988/7/8	MOLEX INCORPORATED		
	30 OVER	±0.3	APPROVED BY M. ENOMOTO	DATE 1988/7/8	DOCUMENT NO. SD-52117-02**	SHEET NO. 1 OF 1	
	ANGULAR ±3°		MATERIAL NO. SEE CHART	THIS DRAWING CONTAINS INFORMATION THAT IS PROPRIETARY TO MOLEX INCORPORATED AND SHOULD NOT BE USED WITHOUT WRITTEN PERMISSION			
	DRAFT WHERE APPLICABLE MUST REMAIN WITHIN DIMENSIONS						



FULLY MATED CONDITION

AVS0.3, AWG#20-22	RED	52117-0242
AVS0.3, AWG#20-22	BLACK	52117-0241
AVS0.3, AWG#20-22	WHITE	52117-0240
WIRE RANGE	COLOR	ENG. NO.

- NOTES**
- ACCEPTS CRIMP TERMINAL:50039-8*00
 - MATE'L:
 - CAP ;POLYESTER(15%G.F.)
 - HOUSING;POLYESTER(15%G.F.)
 - SEAL ;SILICONE
 - MATES WITH:52116-02**
 - COLOR IN THE CHART INDICATES HOUSING COLOR

角度 ANGLE	±3°				
30以上 OVER	+0.3	A	REVISED (J90218)	1.0	3/17/89
10以上 30未滿 UNDER	+0.25	0	RELEASED (J80600)	1.0	7/8/88
10未滿 UNDER	+0.2	記号 LTR	変更内容 REVISION RECORD	DR. CHK.	日付 DATE
一般公差 GENERAL TOLERANCES		REVISE ONLY ON CAD SYSTEM			

材料 MATERIAL	SEE NOTES
仕上げ FINISH	//
適用電線範囲 WIRE RANGE	SEE CHART
被覆外径 INS. RANGE	φ 1.8-1.9
DRAWN BY 7/8/88	CHK'D BY M.SAKANO
Y.ASHIZAWA	
APP'D BY M.ENOMOTO	尺 度 SCALE 5-1

MOLEX-JAPAN CO.,LTD. 日本モレックス株式会社	
EDP. NO.	//
ENG. NO.	SD-52117-02**
TITLE 名称	2.5 SPLASH PROOF CONN. REC. HS'G ASS'Y W/POSITIVE LOCK
REV	A