

10 9 8 7 6 5 4 3 2 1

F

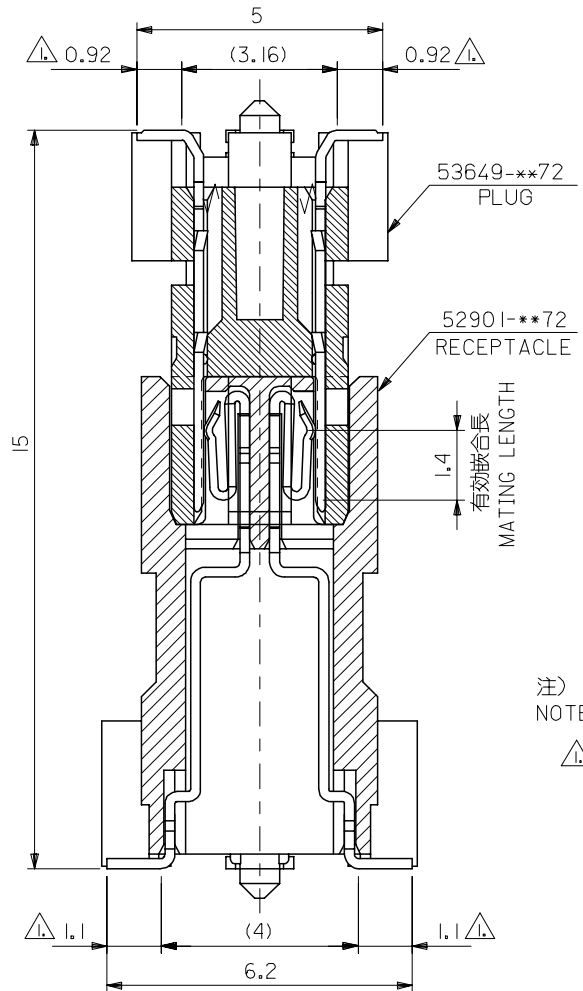
E

D

C

B

A



注)  
NOTE)

△ 基板接地長さ  
FLAT AREA

RELEASED EC NO: J2005-3798 DRW: KENSUZUKI 2005/06/20 CHK: D: NUKITA 2005/06/20 APPR: NUKITA 2005/06/23	GENERAL TOLERANCES (UNLESS SPECIFIED)		DIMENSION STYLE MM ONLY		SCALE 10:1	DESIGN UNITS METRIC	THIRD ANGLE PROJECTION	
	10 UNDER	± 0.2	DRAWN BY KENSUZUKI	DATE 2005/06/20	TITLE 0.635 PITCH B TO B CONN. 52901/53649 SERIES MATING CROSS SECTION			
	10 OVER 30 UNDER	± 0.25	CHECKED BY NUKITA	DATE 2005/06/20				
	30 OVER	± 0.3	APPROVED BY NUKITA	DATE 2005/06/20	MOLEX INCORPORATED SEE DRAWING SD-52901-015			
	ANGULAR	± 3 °	MATERIAL NO.					
0	DRAFT WHERE APPLICABLE MUST REMAIN WITHIN DIMENSIONS		SIZE A3		THIS DRAWING CONTAINS INFORMATION THAT IS PROPRIETARY TO MOLEX INCORPORATED AND SHOULD NOT BE USED WITHOUT WRITTEN PERMISSION			

9

8

7

6

5

4

3

2

10 9 8 7 6 5 4 3 2 1

F

E

D

C

B

A

F

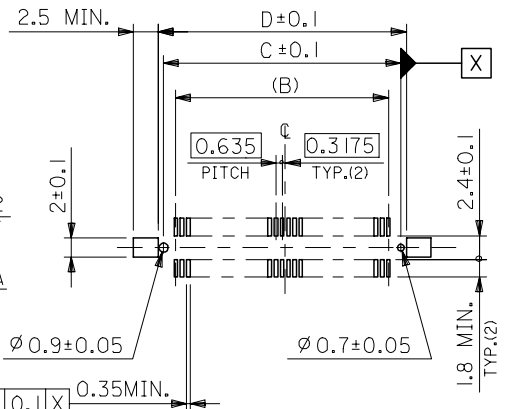
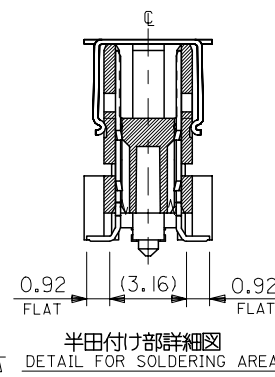
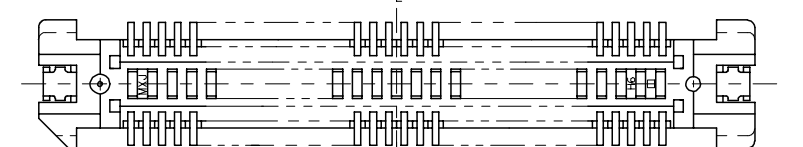
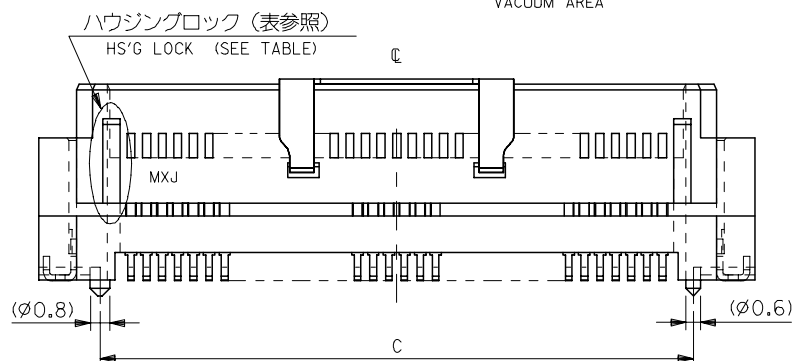
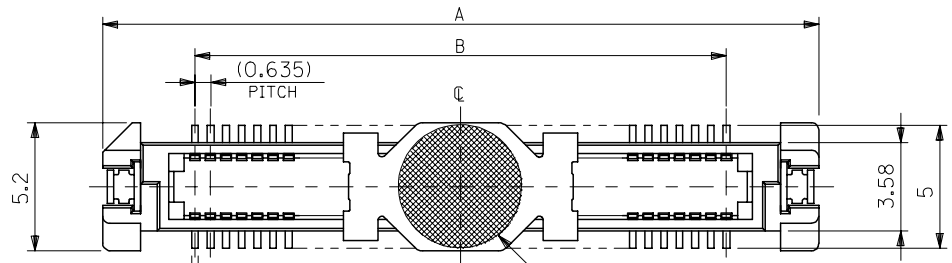
E

D

C

B

A



推奨基板寸法  
RECOMMENDED PCB PATTERN LAYOUT  
(SCALE:2-1)

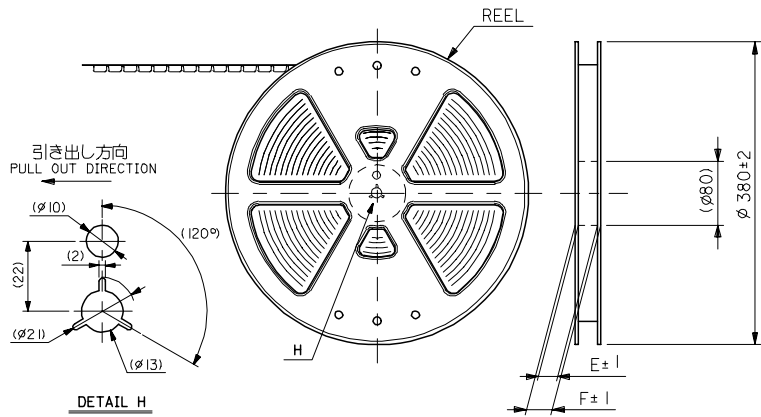
注) NOTES

- 材質 MATERIAL  
ハウジング: ガラス入りPPS、茶色、UL 94V-0  
HOUSING: G.F.PPS, BROWN, UL94V-0  
ターミナル: 銅合金 (t=0.2)  
TERMINAL: COPPER ALLOY  
吸着カバー: ステンレス (t=0.2)  
VACUUM COVER: STAINLESS STEEL
- メッキ仕様 PLATING  
接点部: 金メッキ 0.25μmMIN.  
CONTACT AREA: GOLD 0.25μmMIN.  
半田付け部: 錫メッキ 1.0μmMIN.  
SOLDER TAIL AREA: TIN 1.0μmMIN.  
下地メッキ: ニッケルメッキ 1.5μmMIN.  
UNDER-PLATING: NICKEL 1.5μmMIN.
- テールのバラツキ寸法 TAIL COPLANARITY  
テール平坦度は、0.1MAX. とする。  
TAILS COPLANARITY TO BE 0.1MAX.

4. 本製品は 53649-\*\*\*2 の鉛フリー品である。  
THIS PRODUCT IS LEAD FREE OF 53649-\*\*\*2

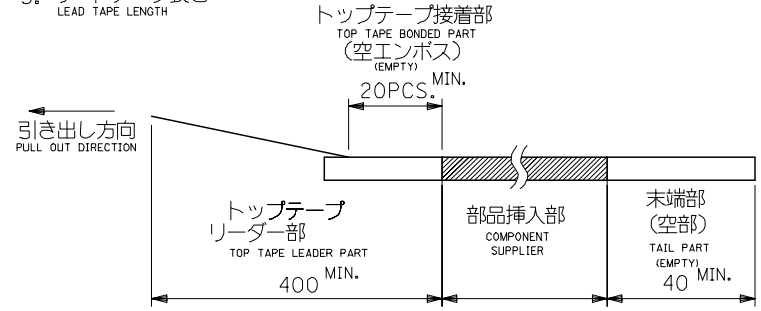
無し NO	66.47	65.37	62.865	70.37	—#	53649-2075	53649-2072	200	—	
	60.12	59.02	56.515	64.02	—#	-1875	-1872	180	—	
	53.77	52.67	50.165	57.67	—#	-1675	-1672	160	—	
	47.42	46.32	43.815	51.32	—#	-1475	-1472	140	○	
	41.07	39.97	37.465	44.97	—#	-1275	-1272	120	—	
	34.72	33.62	31.115	38.62	53649-1074	-1075	-1072	100	○	
	31.55	30.45	27.94	35.45	-0974	-0975	-0972	90	—	
	28.37	27.27	24.765	32.27	-0874	-0875	-0872	80	○	
	25.2	24.1	21.59	29.1	-0774	-0775	-0772	70	—	
	24.56	23.46	20.955	28.46	-6874	-6875	-6872	68	—	
有り YES	22.02	20.92	18.415	25.92	-0674	-0675	-0672	60	○	
	18.85	17.75	15.24	22.75	-0574	-0575	-0572	50	—	
	15.67	14.57	12.065	19.57	-0474	-0475	-0472	40	○	
	12.5	11.4	8.89	16.4	-0374	-0375	-0372	30	○	
	9.32	8.22	5.715	13.22	53649-0274	53649-0275	53649-0272	20	—	
	53649-***72									
	MODEL NO.	ハウジング HS'G LOCK	D	C	B	A	エンボス梱包 EMBOSSED PACKAGING	スティック梱包 STICK PACKAGING	製品番号 MATERIAL NO.	種数 CKT. NO.

REVISED EC NO: J2006-0828 DR: NHAJIMA 2005/09/09 CHK: DN, UKITA 2005/09/12 APPR: NUKITA 2005/09/15	GENERAL TOLERANCES (UNLESS SPECIFIED)		DIMENSION STYLE MM ONLY		SCALE ---		DESIGN UNITS METRIC		THIRD ANGLE PROJECTION	
	10 UNDER	±0.2	DRAWN BY M. NABEI		DATE '04/02/25		TITLE 0.635 B/B CONN. PLUG HS'G COVER ASS'Y -LEAD FREE-			
	10 OVER 30 UNDER	±0.25	CHECKED BY K. TOJO		DATE '04/02/25		MOLEX INCORPORATED			
	30 OVER	±0.3	APPROVED BY M. SASAO		DATE '04/02/25					
	ANGULAR ±3 °		DRAFT WHERE APPLICABLE MUST REMAIN WITHIN DIMENSIONS		MATERIAL NO. SEE CHART		DOCUMENT NO. SD-53649-004		SHEET NO. 1 OF 1	
THIS DRAWING CONTAINS INFORMATION THAT IS PROPRIETARY TO MOLEX INCORPORATED AND SHOULD NOT BE USED WITHOUT WRITTEN PERMISSION										

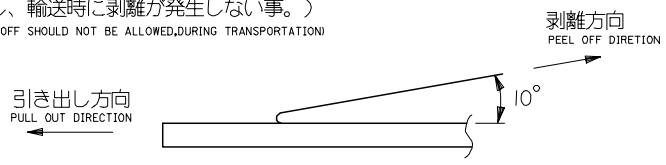


注)  
NOTES

- 製品番号 53649-\*\*\*72 の詳細寸法については、SD-53649-004 を参照下さい。  
IN THE PACKAGE , PART NO.53649-\*\*\*72 DETAILED DIMENSIONS , SEE SD-53649-004
- 梱包数量 : 760 個/リール  
NUMBER OF CONNECTORS : 760 PCS/REEL
- リードテープ長さ  
LEAD TAPE LENGTH



- トップテープの剥離強度 (剥離方向は下図参照)  
PEELING OFF FORCE OF TOP TAPE (PEELING DIRECTION AS SHOWN IN FOLLOWING FIG.)  
0. 1~1. 3N {10~130gf}  
尚、本規格値は、出荷時に適用。  
THIS REQUIREMENT SHOULD BE APPLIED AT SHIPMENT  
(但し、輸送時に剥離が発生しない事。)  
(PEEL OFF SHOULD NOT BE ALLOWED,DURING TRANSPORTATION)

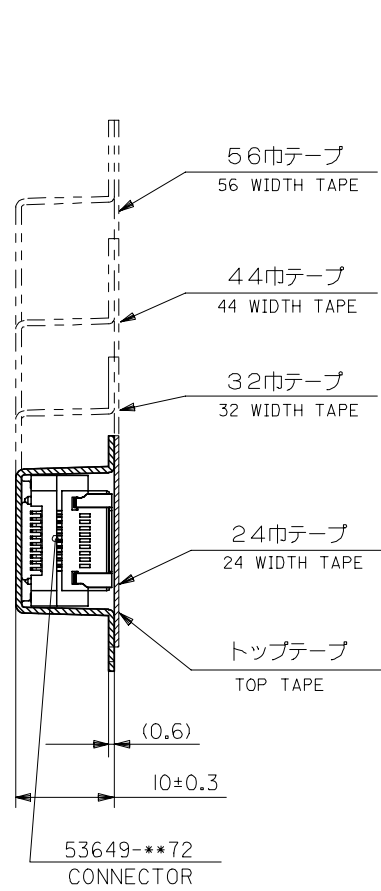


- 材料  
MATERIAL  
キャリアテープ : ポリプロピレン (PP)  
CARRIER TAPE : POLYPROPYLENE (PP)  
トップテープ : PET, PE, PEF  
TOP TAPE : PET, PE, PEF  
リール : 紙  
REEL : CARD BOARD
- 本製品は 53649-\*\*\*4 の鉛フリー品である。  
THIS PRODUCT IS LEAD FREE OF 53649-\*\*\*4

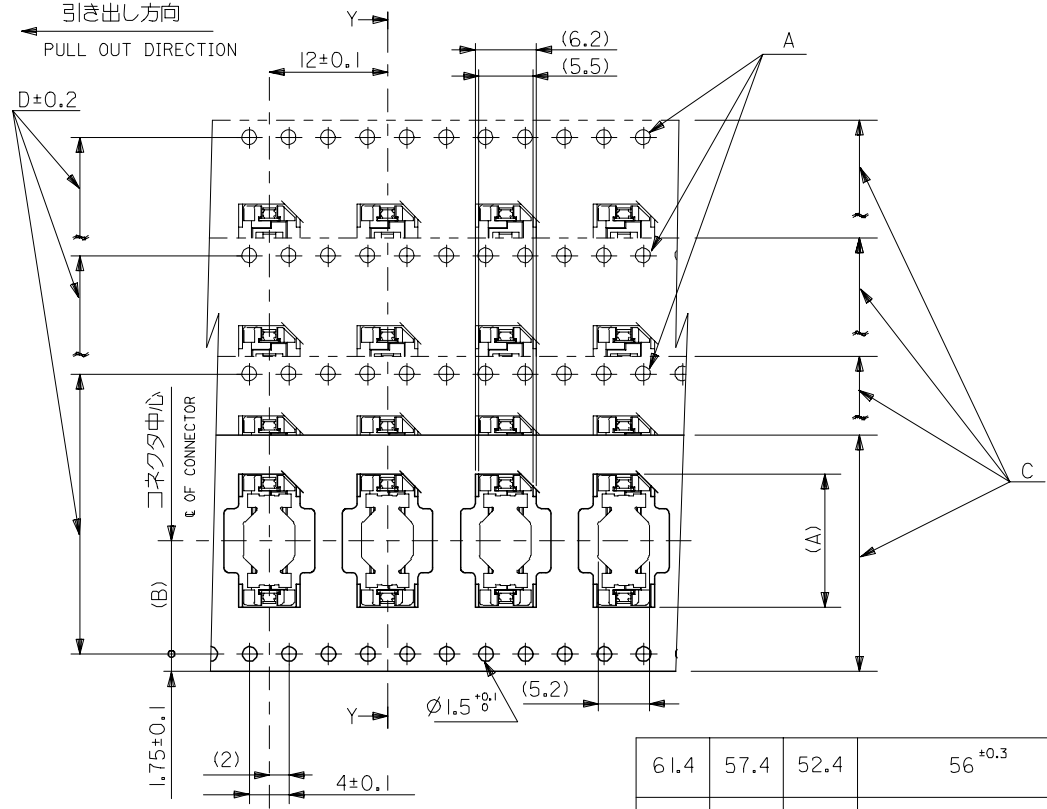
REVISED EC NO: J2006-0828 DRAWN BY: DR.W.H.YAJIMA 2005/09/09 CHK'DN: UKITA 2005/09/12 APPR: NUKITA 2005/09/15	GENERAL TOLERANCES (UNLESS SPECIFIED)		DIMENSION STYLE MM ONLY		SCALE ---	DESIGN UNITS METRIC	THIRD ANGLE PROJECTION	
	10 UNDER	± ---	DRAWN BY M. NABE I	DATE '04/02/25	TITLE EMBOSSD TAPE PACKAGE FOR 53649-***72 -LEAD FREE-			
	10 OVER 30 UNDER	± ---	CHECKED BY K. TOJO	DATE '04/02/25				
	30 OVER	± ---	APPROVED BY M. SASAO	DATE '04/2/25	MOLEX MOLEX INCORPORATED			
	ANGULAR	± --- °	MATERIAL NO.		DOCUMENT NO.		SHEET NO.	
DRAFT WHERE APPLICABLE MUST REMAIN WITHIN DIMENSIONS		SEE SHEET 2 OF 2		SD-53649-005		1 OF 2		
SIZE A3 THIS DRAWING CONTAINS INFORMATION THAT IS PROPRIETARY TO MOLEX INCORPORATED AND SHOULD NOT BE USED WITHOUT WRITTEN PERMISSION								

10 9 8 7 6 5 4 3 2 1

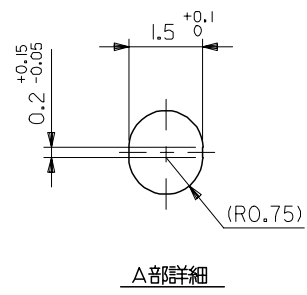
F E D C B A



断面 Y-Y  
SECTION Y-Y



累積ピッチ : 40±0.2  
ACCUMULATIVE  
PITCH : 40±0.2



61.4	57.4	52.4	56 <sup>+0.3</sup>	26.2	38.9	53649-1074	100	○
					35.8	-0974	90	—
					32.6	-0874	80	○
					29.4	-0774	70	—
49.4	45.4	40.4	44 <sup>+0.3</sup>	20.2	28.8	-6874	68	—
					26.2	-0674	60	○
					23.1	-0574	50	—
					19.9	-0407	40	○
					16.7	-0374	30	○
					13.5	53649-0274	20	—

REVISED EC NO: J2006-0828 DR: N. HAJI MA 2005/09/09 CHK: D. N. UKITA 2005/09/12 APPR: NUKITA 2005/09/15	GENERAL TOLERANCES (UNLESS SPECIFIED)		DIMENSION STYLE MM ONLY		SCALE ---	DESIGN UNITS METRIC	THIRD ANGLE PROJECTION		
	10 UNDER ± ---	10 OVER 30 UNDER ± ---	DRAWN BY M. NABE I	DATE '04/02/25	TITLE EMBOSSED TAPE PACKAGE FOR 53649-**72 -LEAD FREE-				
	30 OVER ± ---	ANGULAR ± --- °	CHECKED BY K. TOJO	DATE '04/02/25	MOLEX INCORPORATED				
	DRAFT WHERE APPLICABLE MUST REMAIN WITHIN DIMENSIONS		APPROVED BY M. SASAO	DATE '04/02/25	MATERIAL NO. SEE CHART	DOCUMENT NO. SD-53649-005	SHEET NO. 2 OF 2		