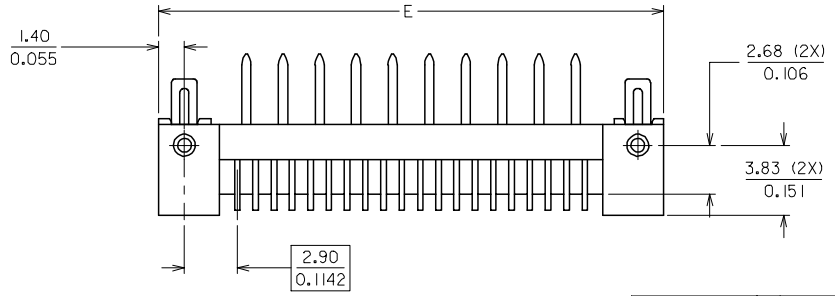
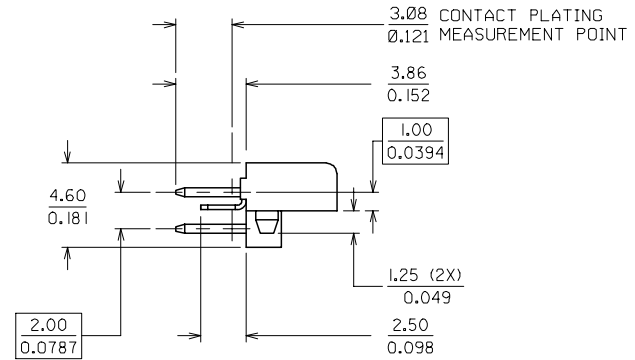
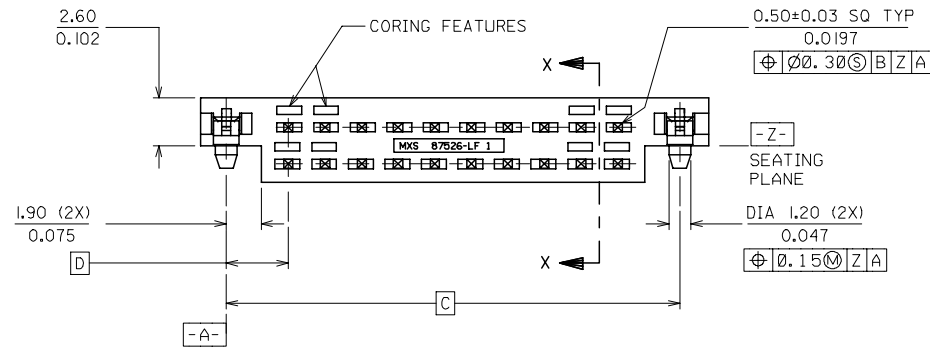
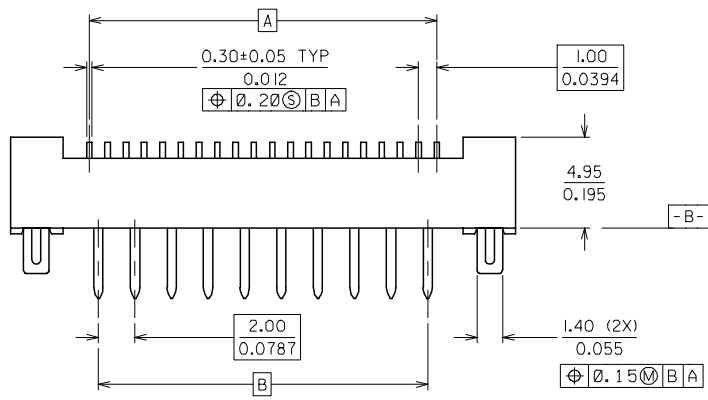


10 9 8 7 6 5 4 3 2 1

| PART NO. | CKT SIZE | A | B | C | D | E | PACKAGING |
|------------|----------|---------|---------|---------|---------|---------|-----------|
| 87526-6220 | 20 | 19.00 | 18.00 | 24.80 | 3.40 | 27.60 | T/REEL |
| 87526-6320 | | (0.748) | (0.709) | (0.976) | (0.134) | (1.087) | TUBE |



- NOTES:
- PRODUCT SPEC.: PS-87526-0001 APPLIES.
 - COPLANARITY OF SOLDER TAILS AND FITTING NAILS ARE TO BE MEASURED BY RESTING THE PART ON A FLAT GAGED SURFACE
 - MATERIALS:
 - HOUSING - LCP, GLASS FILLED, UL94 V-0, COLOR: BLACK
 - TERMINALS - PHOS BRONZE WITH PLATING 0.38um MIN GOLD ON MATING END
 - FITTING NAILS - BRASS WITH PLATING 1.90um MIN TIN AND 1.30um NICKEL UNDERPLATE
 - CKT 20 SHOWN FOR REFERENCE ONLY
 - SECONDARY DIMENSIONS FOR REFERENCE ONLY

| | | |
|-------------------|-------------|------------|
| OBS TIN/LEAD P/N | DRWN:MLONG | 2006/04/06 |
| EC NO: S2006-0884 | CHKD:SHFONG | 2006/04/07 |
| APPR:KCLING | 2006/04/07 | |

| REV | DESCRIPTION |
|-----|-------------|
| D | |

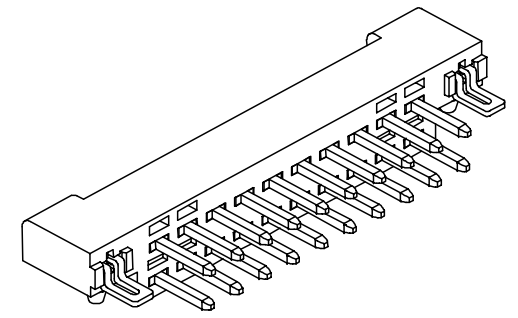
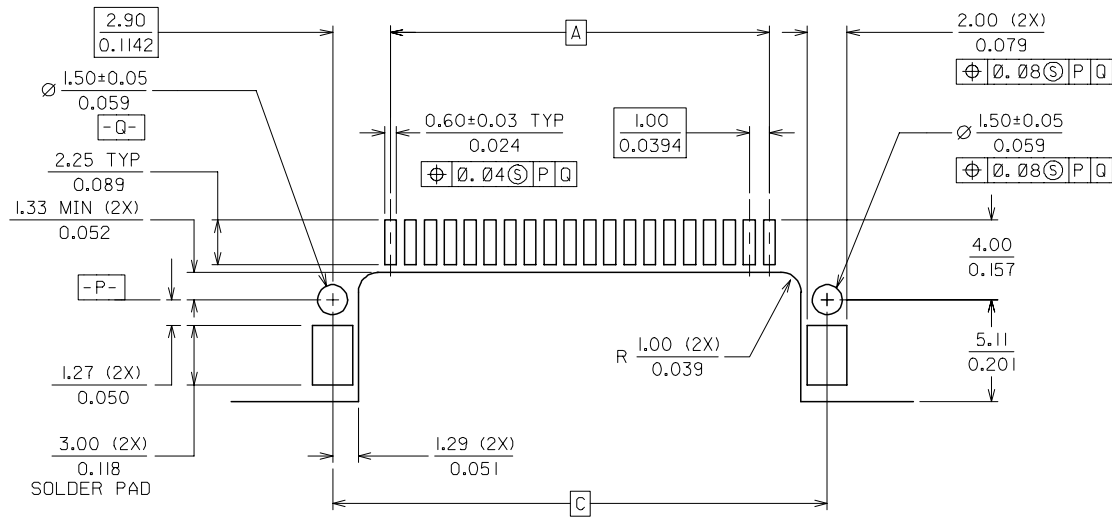
| QUALITY SYMBOLS | GENERAL TOLERANCES (UNLESS SPECIFIED) |
|-----------------|--|
| ▽=0 | mm |
| ▽=0 | INCH |
| | 4 PLACES ± --- ± --- |
| | 3 PLACES ± --- ± --- |
| | 2 PLACES ± 0.13 ± --- |
| | 1 PLACE ± --- ± --- |
| | ANGULAR ± 3 ° |
| | DRAFT WHERE APPLICABLE MUST REMAIN WITHIN DIMENSIONS |

| DIMENSION STYLE | | SCALE | DESIGN UNITS | THIRD ANGLE PROJECTION |
|-----------------|------------|--|--------------|------------------------|
| MM ONLY | | NTS | METRIC | |
| DRAWN BY | DATE | TITLE | | |
| JL IM | 1995/08/29 | MGRID, I/O HEADER | | |
| CHECKED BY | DATE | 4.60MM HT. (2.60MM ABOVE PCB) WITH FITTING NAILS | | |
| GMS | 1998/01/14 | MOLEX INCORPORATED | | |
| APPROVED BY | DATE | MATERIAL NO. | | |
| PTH0 | 1998/01/14 | DOCUMENT NO. | | |
| SEE TABLE | | SD-87526-6000 | | |
| SIZE A3 | | SHEET NO. 1 OF 3 | | |

| | |
|---|--|
| THIS DRAWING CONTAINS INFORMATION THAT IS PROPRIETARY TO MOLEX INCORPORATED AND SHOULD NOT BE USED WITHOUT WRITTEN PERMISSION | |
|---|--|

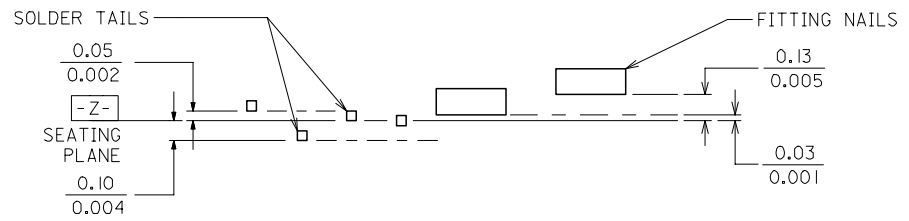
9 8 7 6 5 4 3 2 1

10 9 8 7 6 5 4 3 2 1

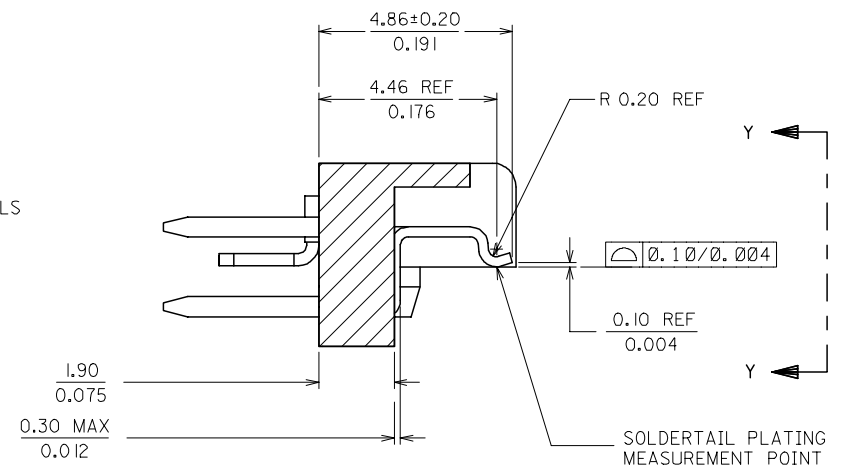


ISO VIEW
20 CKT SHOWN FOR REFERENCE ONLY
(NOT TO SCALE)

RECOMMENDED PCB LAYOUT



VIEW Z-Z
COPLANARITY CONTROL
(FOR ILLUSTRATION ONLY)



SECTION X-X

| | | | | | | | | | | | |
|---|--|-------------------------------|---|-------|----------------------------|---------------------|------------------------|---|--|--|--|
| OBS TIN/LEAD P/N EC NO: S2006-0884 DRWN:MLONG CHKD:SHFONG APPR:KCLING | 2006/04/06 2006/04/07 2006/04/07 | QUALITY SYMBOLS ▽=0 △=0 | GENERAL TOLERANCES (UNLESS SPECIFIED) | | DIMENSION STYLE MM ONLY | SCALE NTS | DESIGN UNITS METRIC | THIRD ANGLE PROJECTION | | | |
| | | | | mm | INCH | DRAWN BY JL IM | DATE 1995/08/29 | MGRID, I/O HEADER 4.60MM HT. (2.60MM ABOVE PCB) WITH FITTING NAILS | | | |
| | | | 4 PLACES | ± --- | ± --- | CHECKED BY GMS | DATE 1998/01/14 | | | | |
| | | | 3 PLACES | ± --- | ± --- | APPROVED BY PTH0 | DATE 1998/01/14 | MOLEX INCORPORATED | | | |
| | | | ANGULAR ± 3 ° | | MATERIAL NO. | DOCUMENT NO. | SHEET NO. | | | | |
| | | | DRAFT WHERE APPLICABLE MUST REMAIN WITHIN DIMENSIONS | | SEE TABLE | SD-87526-6000 | 2 OF 3 | | | | |
| | | | THIS DRAWING CONTAINS INFORMATION THAT IS PROPRIETARY TO MOLEX INCORPORATED AND SHOULD NOT BE USED WITHOUT WRITTEN PERMISSION | | | | | | | | |

9 8 7 6 5 4 3 2 1

10 9 8 7 6 5 4 3 2 1

F

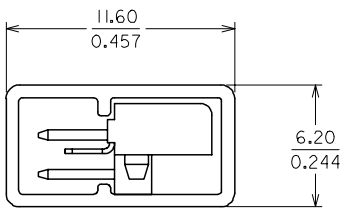
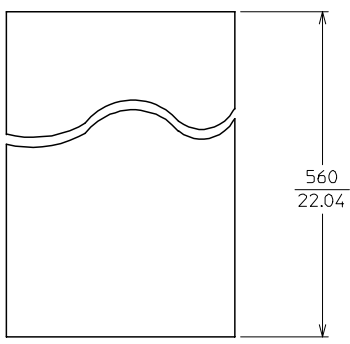
E

D

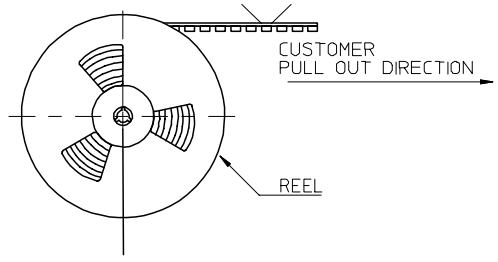
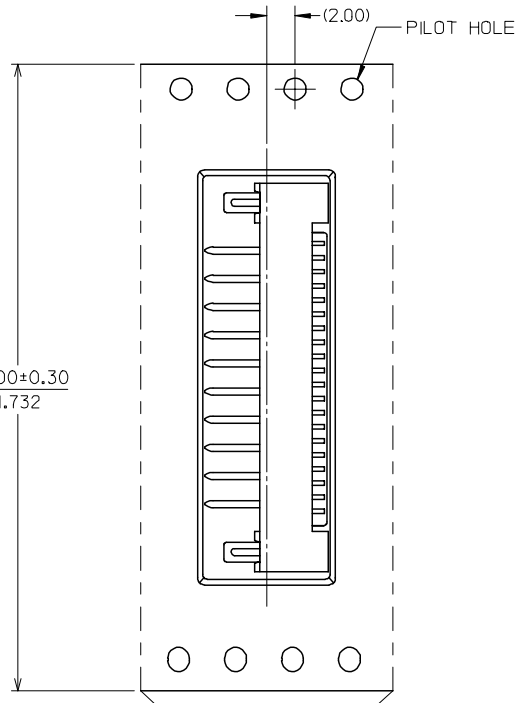
C

B

A

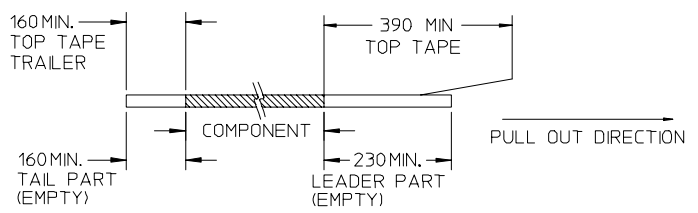


TUBE ORIENTATION
(19 PCS/TUBE)

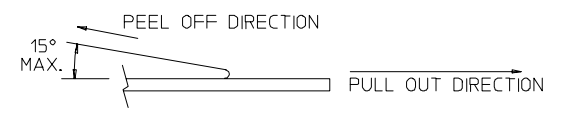


NOTES:

1. LEADER AND TRAILER TAPE



2. PEELING OFF FORCE OF THE TOP TAPE: 20-80gf.
(PEELING DIRECTION AS SHOWN IN FOLLOWING FIGURE)



3. PACKAGING STANDARD IS AS PER EIA-481.

4. TAPE & REEL QUANTITY = 1000PCS/REEL

| | | |
|------------------|-------------------|-------------|
| OBS TIN/LEAD P/N | EC NO: S2006-0884 | 2006/04/06 |
| | DRWN:MLONG | 2006/04/07 |
| | CHKD:SHFONG | 2006/04/07 |
| | APPR:KCLING | 2006/04/07 |
| D | REV | DESCRIPTION |

| | |
|-----------------|------|
| QUALITY SYMBOLS | ▽=0 |
| | ▽C=0 |

| | | |
|--|-----------------|-------|
| GENERAL TOLERANCES (UNLESS SPECIFIED) | DIMENSION STYLE | |
| | MM ONLY | |
| | mm | INCH |
| 4 PLACES | ± --- | ± --- |
| 3 PLACES | ± --- | ± --- |
| 2 PLACES | ± 0.13 | ± --- |
| 1 PLACE | ± --- | ± --- |
| ANGULAR ± 3 ° | | |
| DRAFT WHERE APPLICABLE MUST REMAIN WITHIN DIMENSIONS | | |

| | | |
|--------------|---------------|---|
| DRAWN BY | DATE | TITLE |
| JL IM | 1995/08/29 | MGRID, I/O HEADER 4.60MM HT. (2.60MM ABOVE PCB) WITH FITTING NAILS |
| CHECKED BY | DATE | |
| GMS | 1998/01/14 | MOLEX INCORPORATED |
| APPROVED BY | DATE | |
| PTH0 | 1998/01/14 | |
| MATERIAL NO. | DOCUMENT NO. | SHEET NO. |
| SEE TABLE | SD-87526-6000 | 3 OF 3 |

| | | |
|---|--------------|------------------------|
| SCALE | DESIGN UNITS | THIRD ANGLE PROJECTION |
| NTS | METRIC | |
| THIS DRAWING CONTAINS INFORMATION THAT IS PROPRIETARY TO MOLEX INCORPORATED AND SHOULD NOT BE USED WITHOUT WRITTEN PERMISSION | | |

9 8 7 6 5 4 3 2 1