

TOKEN RING MAGNETICS

Impedance Matching and Isolation Transformers

LM00600

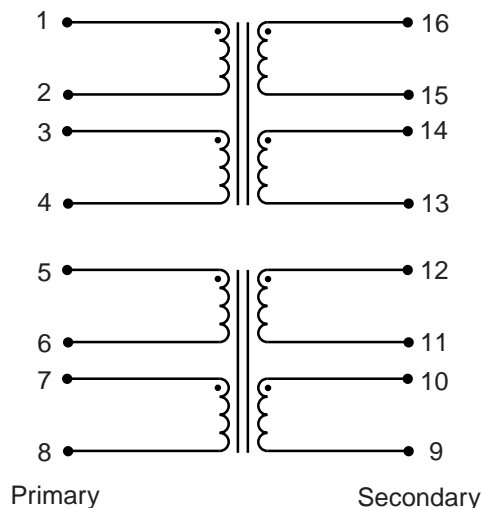
- Designed to meet IEEE 802.5 Token Ring standards
- Rated to 225° C peak IR reflow temperature
- Operating temperature 0° to 70° C
- Impedance matching or isolation transformer application
- STP/UTP compatible impedances
- Integrated transformers and common mode chokes

ELECTRICAL SPECIFICATIONS AT 25° C

Part Number	Turns Ratio	OCL μH min	Coupling Capacitance pF max	Leakage Inductance μH max	DCR Ω max		Hipot Vrms min
					Pri	Sec	
A553-1506-6E	1 : 1 : 0.816 : 0.816	100	10	0.10	0.20	0.20	2000
A553-5006-KE	1 : 1 : 2 : 2	125 ±30%	10	0.10	0.20	0.40	2000
S553-1506-6F	1 : 1 : 0.816 : 0.816	100	10	0.20	0.20	0.20	2000
S553-5006-JF	1 : 1 : 1 : 1	125 ±30%	15	0.10	0.20	0.20	2000
S553-5006-KF	1 : 1 : 2 : 2	125 ±30%	10	0.10	0.20	0.40	1000
S553-5999-40	1CT : 1CT	616	30	0.50	0.70	1.0	500
S556-5999-01	2CT : 1	616	---	0.70	0.70	0.55	1500

SCHEMATICS

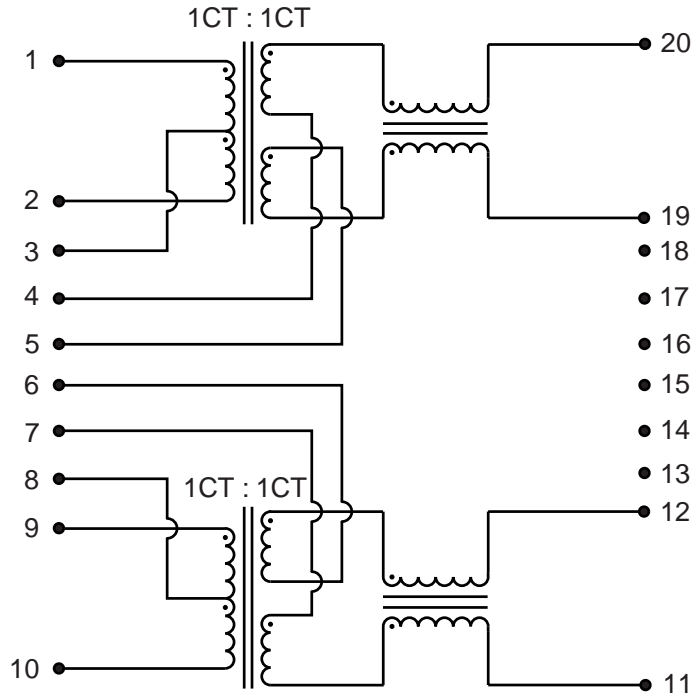
A553-1506-6E
A553-5006-KE
S553-1506-6F
S553-5006-JF
S553-5006-KF



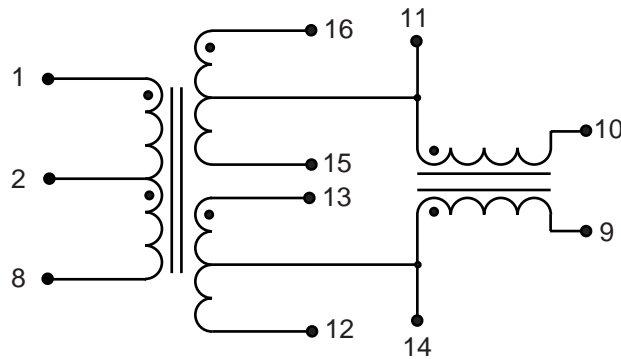
TOKEN RING MAGNETICS Impedance Matching and Isolation Transformers

SCHEMATICS

S553-5999-40



S556-5999-01



2CT : 1 (1-8 : 16-15)
2CT : 1 (1-8 : 13-12)

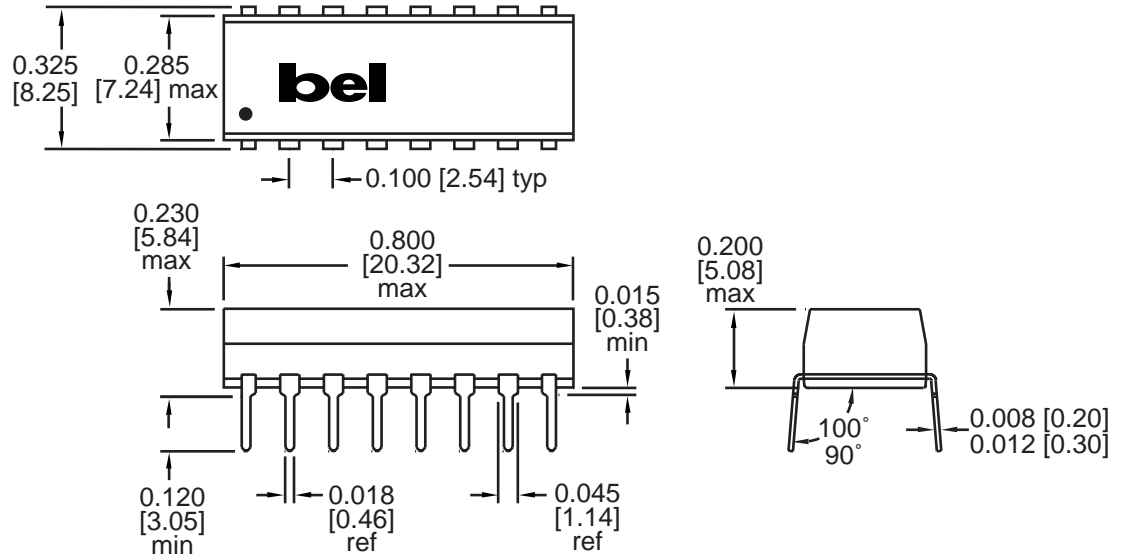
TOKEN RING MAGNETICS

Impedance Matching and Isolation Transformers

LM00600

MECHANICALS

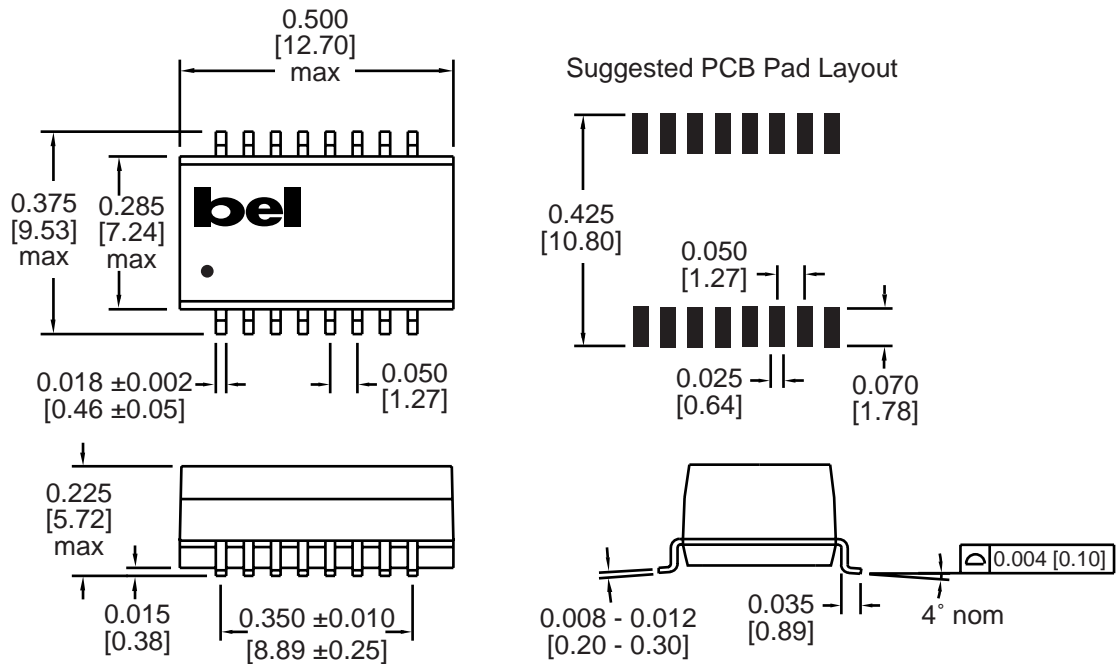
A553-1506-6E
A553-5006-KE



Dimensions are in inches [millimeters].

Standard dimension tolerance is ± 0.005 [0.13] unless otherwise noted.

S553-1506-6F
S553-5006-JF
S553-5006-KF
S556-5999-01

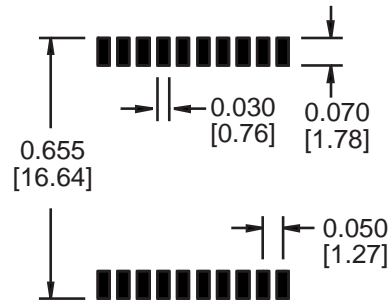
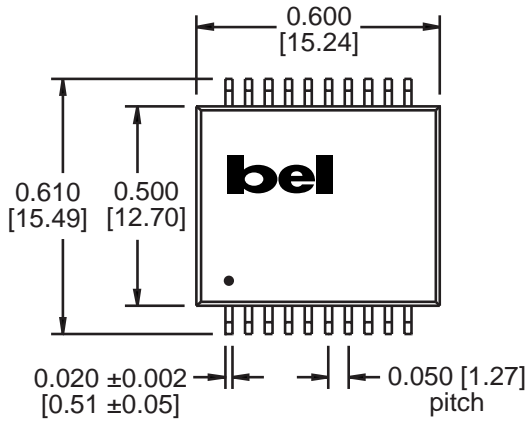


Dimensions are in inches [millimeters].

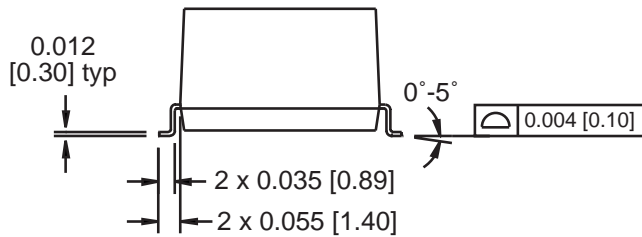
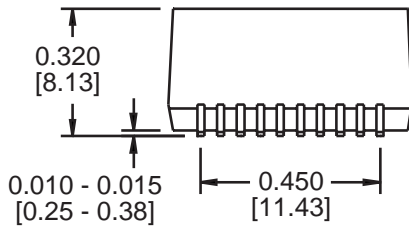
Standard dimension tolerance is ± 0.005 [0.13] unless otherwise noted.

MECHANICALS

S553-5999-40



Suggested PCB Pad Layout



Dimensions are in inches [millimeters].
Standard dimension tolerance is ± 0.005 [0.13] unless otherwise noted.

CORPORATE

Bel Fuse Inc.
198 Van Vorst Street
Jersey City, NJ 07302
Tel 201-432-0463
Fax 201-432-9542
www.belfuse.com

FAR EAST

Bel Fuse Ltd.
8F / 8 Luk Hop Street
San Po Kong
Kowloon, Hong Kong
Tel 852-2328-5515
Fax 852-2352-3706
www.belfuse.com

EUROPE

Bel Fuse Europe Ltd.
Preston Technology Management Centre
Marsh Lane, Suite F23, Preston
Lancashire, PR1 8UD, U.K.
Tel 44-1772-556601
Fax 44-1772-888366
www.belfuse.com