

M62490FP

Electric Volume Control with Tone Controller for 4-Speaker Applications

REJ03F0213-0200

Rev.2.00

Sep 14, 2006

Description

- Developed for car audio
- Uses it for analog small signal handling of stage before power amplifier
- Use to Home audio system, television are thought about other than car audio system

Features

- Built-in zero cross detector prevents click noise
- Differential Amplifier
- Loudness
- Tone Control Bass/Mid/Treble
- Master Volume/Fader Volume
- Serial Data Control

Recommended Operating Conditions

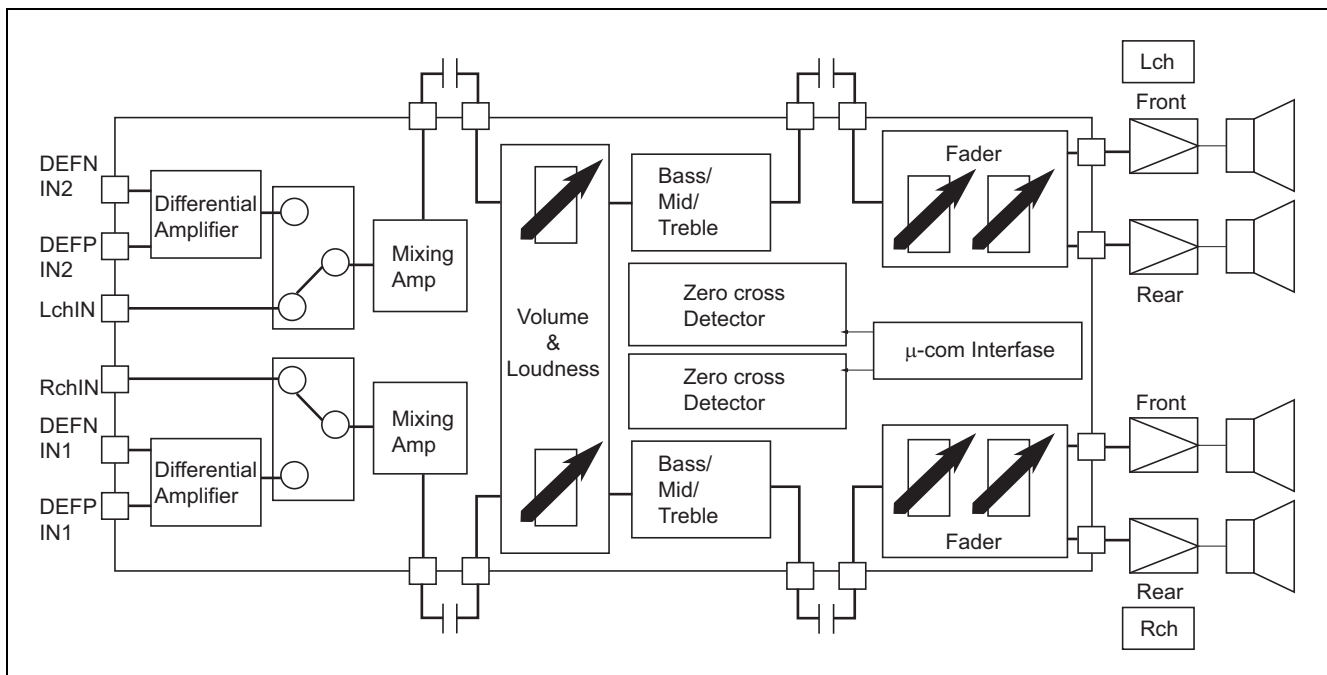
Supply voltage range: $V_{CC} = 6$ to 9 V

$V_{DD} = 4$ to 6 V

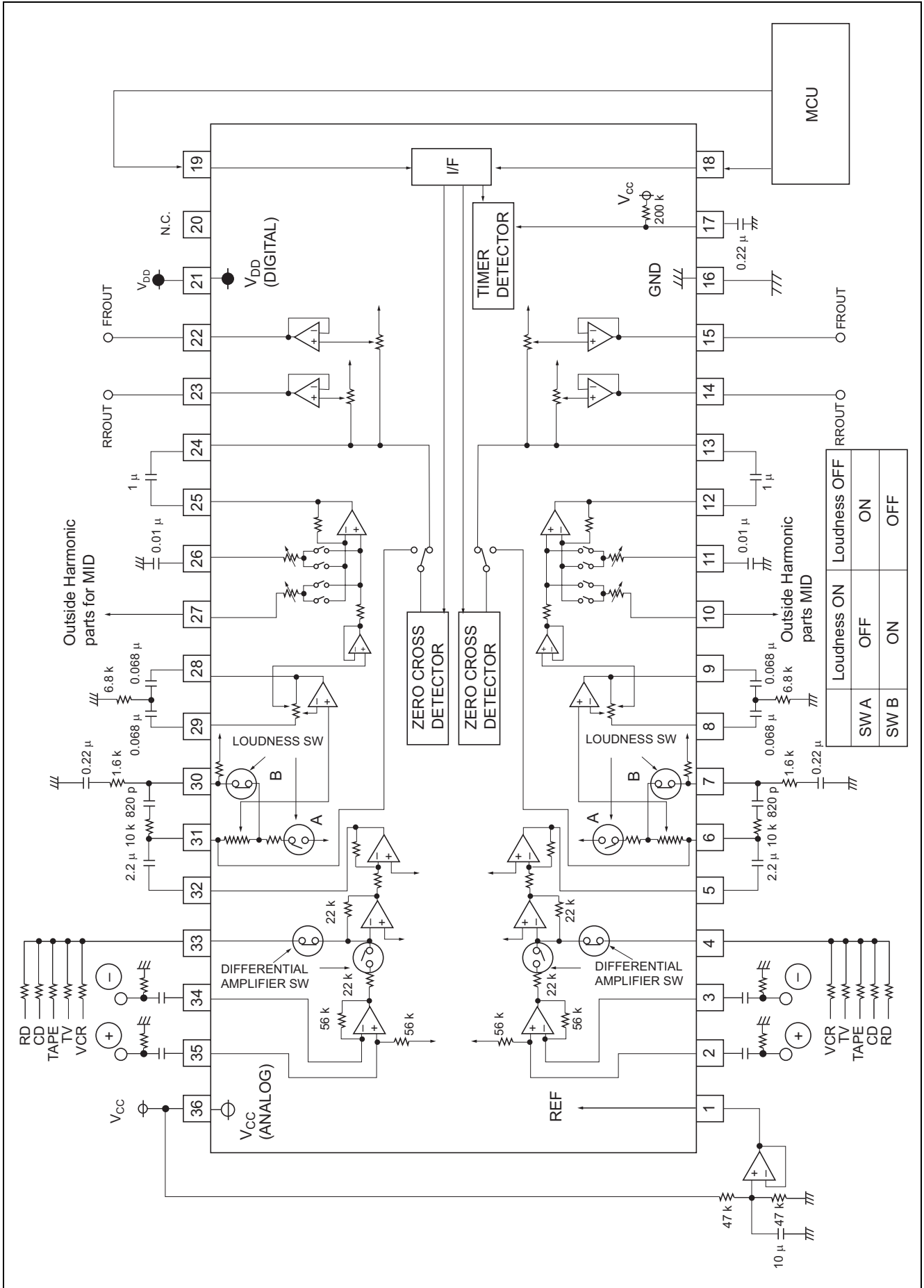
Rated supply voltage: $V_{CC} = 8$ V

$V_{DD} = 5$ V

Block Diagram



Pin Configuration and Application Example

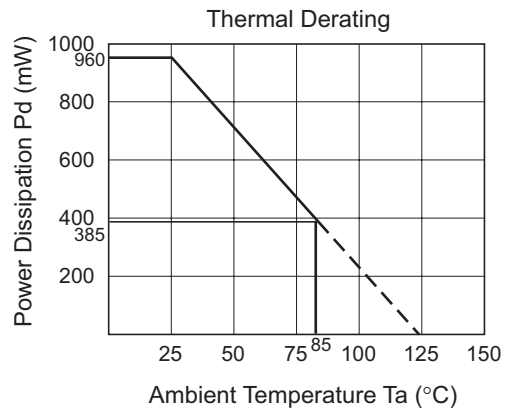


Pin Description

Pin No.	Symbol	Function
1	REF	IC signal ground. Apply 1/2 V _{CC}
2	DEFP IN1	Differential amplifier input +
3	DEFN IN1	Differential amplifier input –
4	MIX IN1	Mixing amplifier input –
5	MIX OUT1	Mixing amplifier input +
6	VOL IN1	Input pin of the volume block
7	LOUD IN1	Pin for setting the frequency characteristics of the loudness block
8	BASSA1	Pin for setting the frequency characteristics of the tone (Bass) block
9	BASSB1	
10	MID1	R-ladder terminal of tone (Mid)
11	TRE1	R-ladder terminal of tone (Treble)
12	TONE OUT1	Output pin of the tone block
13	FADER IN1	Input pin of the fader volume
14	REAR OUT1	Output pin of the fader volume (Rear)
15	FRONT OUT1	Output pin of the fader volume (Front)
16	GND	Ground
17	TIM1	Timer setting terminal The relationship between outside parts C and setting time is $T = 13.8 \times 10^4 \cdot C$ (s).
18	DATA	Input pin of the control data This pin inputs data in synchronization with CLOCK
19	CLOCK	Clock input pin for serial data transfer
20	N.C.	Non Connection
21	V _{DD}	Digital power supply pin, normally +5 V
22	FRONT OUT2	Output pin of the fader volume (Front)
23	REAR OUT2	Output pin of the fader volume (Rear)
24	FADER IN2	Input pin of the fader volume
25	TONE OUT2	Output pin of the tone block
26	TRE2	R-ladder terminal of tone (Treble)
27	MID2	R-ladder terminal of tone (Mid)
28	BASSB2	Pin for setting the frequency characteristics of the tone (Bass) block
29	BASSA2	
30	LOUD IN2	Pin for setting the frequency characteristics of the loudness block
31	VOL IN2	Input pin of the volume block
32	MIX OUT2	Mixing amplifier output
33	MIX IN2	Mixing amplifier input
34	DEFN IN2	Differential amplifier input –
35	DEFP IN2	Differential amplifier input +
36	V _{CC}	Analog power supply pin

Absolute Maximum Ratings

Item	Symbol	Ratings	Unit	Conditions
Supply voltage	V_{CC}, V_{DD}	10, 7	V	
Power dissipation	P_d	990	mW	$T_a \leq 25^\circ\text{C}$
Thermal derating ratio	K_θ	9.9	mW/°C	$T_a \geq 25^\circ\text{C}$
Operating temperature	T_{opr}	-30 to 85	°C	
Storage temperature	T_{stg}	-55 to 125	°C	

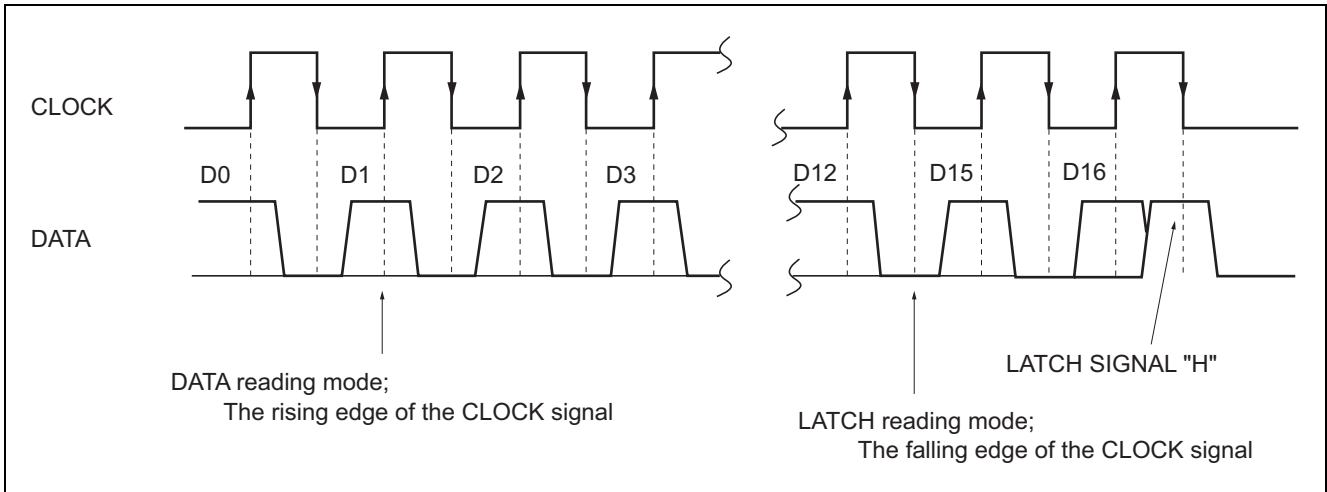


Electrical Characteristics

T_a = 25°C, V_{CC} = 8 V, V_{DD} = 5 V, VOL/FADER = 0 dB, TONE/FLAT, Loudness OFF unless otherwise noted

Item	Symbol	Limits			Unit	Test Conditions
		Min	Typ	Max		
Circuit current	I _{CC}	—	20	35	mA	No input signal
Pass gain	G _v	-3.5	0	3.5	dB	Outside resistor 22 kΩ of pin 4, 33 Outside resistor 56 kΩ of pin 2, 3, 34, 35
Maximum attenuation	A _{TT} (VOL)	-32.5	-30	-27.5	dB	V _i = 1 V _{rms} , f = 1 kHz ATT (VOL) = -30 dB
Attenuation error	ΔA _{TT} (VOL)	-2.5	0	2.5	dB	ATT (VOL) = 0 dB
Maximum input voltage	V _{IM}	1.8	2.2	—	V _{rms}	f = 1 kHz, BW: 400 Hz to 30 kHz THD = 1%
Bass boost	G (Bass) B	13	16	19	dB	f = 100 Hz
Bass cut	G (Bass) C	-15	-12	-9	dB	f = 100 Hz
MID boost	G (MID) B	9	12	15	dB	f = 1 kHz (Outside harmonic amplifier)
MID cut	G (MID) C	-15	-12	-9	dB	f = 1 kHz (Outside harmonic amplifier)
Treble boost	G (Tre) B	9	12	15	dB	f = 10 kHz
Treble cut	G (Tre) C	-15	-12	-9	dB	f = 10 kHz
Maximum attenuation	A _{TT} (FED)	—	-90	-80	dB	V _i = 1 V _{rms} , f = 1 kHz ATT (FED) = -∞ dB
Maximum output voltage	V _{OM}	1.8	2.2	—	V _{rms}	f = 1 kHz, BW: 400 Hz to 30 kHz THD = 1%
Output noise voltage	V _{no1}	—	10	18	μV _{rms}	R _g = 0, DIN-AUDIO
	V _{no2}	—	3	8		ATT (VOL) = -30 dB ATT (FED) = -∞ dB R _g = 0, DIN-AUDIO
Total harmonic distortion	THD	—	0.03	0.05	%	f = 1 kHz, V _o = 0.5 V _{rms} BW: 400 Hz to 30 kHz
Channel separation	CS	—	-90	-80	dB	f = 1 kHz
Cross talk of differential amplifier SW	CT	—	-75	-65	dB	f = 1 kHz
Voltage gain of loudness	G (LOUD) L	7.0	11.0	15.0	dB	Loudness ON f = 100 Hz, ATT (VOL) = -30 dB
	G (LOUD) H	3.5	6.5	9.5		Loudness ON f = 10 kHz, ATT (VOL) = -30 dB

Relationship between Data and Clock



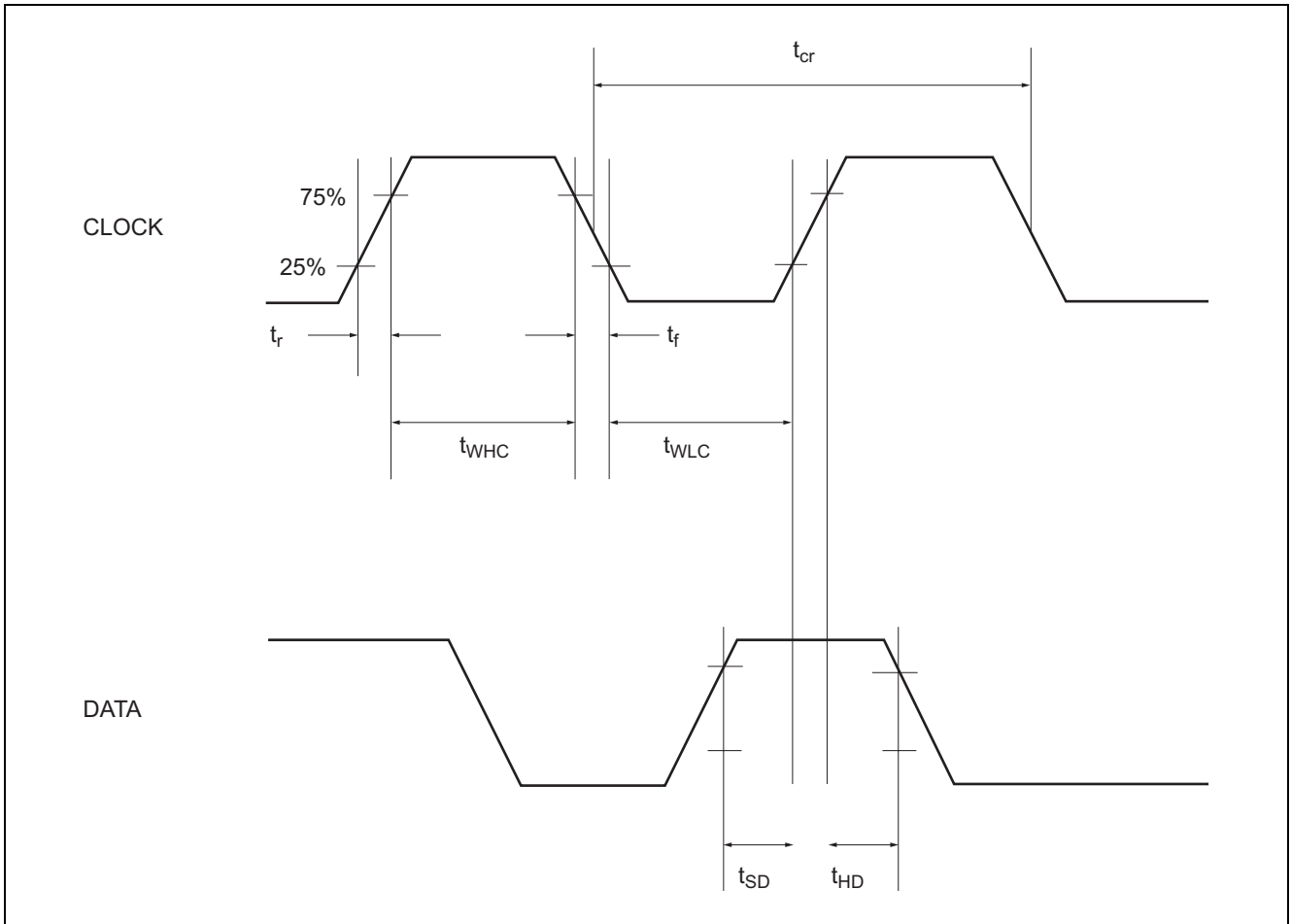
Digital Circuit DC Characteristics

Item	Symbol	Limits			Unit	Test Conditions	
		Min	Typ	Max			
"L" level input voltage	V_{IL}	0	~	$0.2 V_{DD}$	V	DATA, CLOCK pins	
"H" level input voltage	V_{IH}	$0.8 V_{DD}$	~	V_{DD}			
"L" level input current	I_{IL}	-10	—	10	μA	$V_I = 0$	DATA, CLOCK pins
"H" level input current	I_{IH}	—	—	10		$V_I = V_{DD}$	

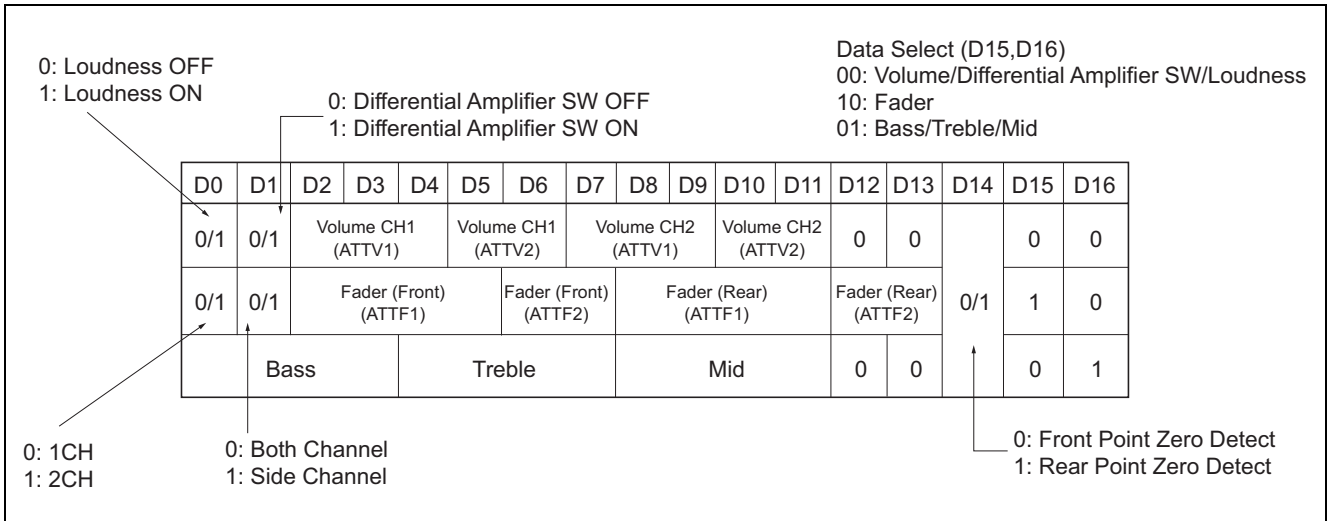
Digital Circuit AC Characteristics

Item	Symbol	Limits			Unit
		Min	Typ	Max	
CLOCK cycle time	t_{cr}	4	—	—	μS
CLOCK pulse width ("H" level)	t_{WHC}	1.6	—	—	
CLOCK pulse width ("L" level)	t_{WLC}	1.6	—	—	
CLOCK rise time	t_r	—	—	0.4	
CLOCK fall time	t_f	—	—	0.4	
DATA setup time	t_{SD}	0.8	—	—	
DATA hold time	t_{HD}	0.8	—	—	

Clock Data Timing



Data Input Format



Volume Code

ATTV1	CH1	D2	D3	D4
	CH2	D7	D8	D9
0 dB		1	0	1
-4 dB		0	0	1
-8 dB		1	1	0
-12 dB		0	1	0
-16 dB		1	0	0
-20 dB		0	0	0
-24 dB		0	1	1
-28 dB		1	1	1

ATTV2	CH1	D5	D6
	CH2	D10	D11
0 dB		1	1
-1 dB		0	1
-2 dB		1	0
-3 dB		0	0

Fader Code

ATTF1	FRONT	D2	D3	D4	D5
	REAR	D8	D9	D10	D11
0 dB		1	0	0	1
-2 dB		0	0	0	1
-4 dB		0	1	0	1
-6 dB		1	1	0	1
-8 dB		1	1	1	0
-10 dB		0	0	1	1
-12 dB		1	0	1	1
-14 dB		0	1	1	1
-16 dB		0	1	1	0
-24 dB		1	0	1	0
-32 dB		0	0	1	0
-40 dB		1	1	0	0
-48 dB		0	1	0	0
-56 dB		1	0	0	0
-∞ dB		0	0	0	0

ATTF2	FRONT	D6	D7
	REAR	D12	D13
0 dB		1	1
-2 dB		0	1
-4 dB		1	0
-6 dB		0	0

(Please keep ATTF2 to 0 dB when you set fader code from 0 dB to -16 dB)

Tone Code

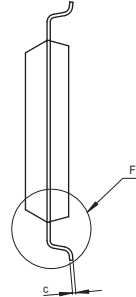
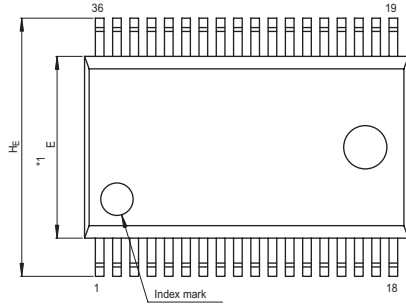
Bass	D0	D1	D2	D3
16 dB	0	0	0	1
14 dB	1	1	1	0
12 dB	0	1	1	0
10 dB	1	0	1	0
8 dB	0	0	1	0
6 dB	1	1	0	0
4 dB	0	1	0	0
2 dB	1	0	0	0
0 dB	0	0	0	0
-2 dB	1	0	0	1
-4 dB	0	1	0	1
-6 dB	1	1	0	1
-8 dB	0	0	1	1
-10 dB	1	0	1	1
-12 dB	0	1	1	1

Treble	D4	D5	D6	D7
12 dB	0	1	1	0
10 dB	1	0	1	0
8 dB	0	0	1	0
6 dB	1	1	0	0
4 dB	0	1	0	0
2 dB	1	0	0	0
0 dB	0	0	0	0
-2 dB	1	0	0	1
-4 dB	0	1	0	1
-6 dB	1	1	0	1
-8 dB	0	0	1	1
-10 dB	1	0	1	1
-12 dB	0	1	1	1

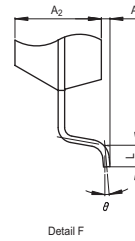
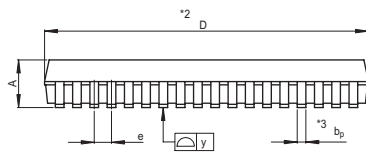
Mid	D8	D9	D10	D11
12 dB	0	1	1	0
10 dB	1	0	1	0
8 dB	0	0	1	0
6 dB	1	1	0	0
4 dB	0	1	0	0
2 dB	1	0	0	0
0 dB	0	0	0	0
-2 dB	1	0	0	1
-4 dB	0	1	0	1
-6 dB	1	1	0	1
-8 dB	0	0	1	1
-10 dB	1	0	1	1
-12 dB	0	1	1	1

Package Dimensions

JEITA Package Code	RENESAS Code	Previous Code	MASS[Typ.]
P-SSOP36-8.4x15-0.80	PRSP0036GA-A	36P2R-A	0.5g



NOTE)
 1. DIMENSIONS **1* AND **2* DO NOT INCLUDE MOLD FLASH.
 2. DIMENSION **3* DOES NOT INCLUDE TRIM OFFSET.



Reference Symbol	Dimension in Millimeters		
	Min	Nom	Max
D	14.8	15.0	15.2
E	8.2	8.4	8.6
A ₂	—	2.0	—
A	—	—	2.4
A ₁	0.05	—	—
b _p	0.35	0.4	0.5
c	0.13	0.15	0.2
θ	0°	—	10°
H _E	11.63	11.93	12.23
e	0.65	0.8	0.95
y	—	—	0.15
L	0.3	0.5	0.7

Keep safety first in your circuit designs!

1. Renesas Technology Corp. puts the maximum effort into making semiconductor products better and more reliable, but there is always the possibility that trouble may occur with them. Trouble with semiconductors may lead to personal injury, fire or property damage.
Remember to give due consideration to safety when making your circuit designs, with appropriate measures such as (i) placement of substitutive, auxiliary circuits, (ii) use of nonflammable material or (iii) prevention against any malfunction or mishap.

Notes regarding these materials

1. These materials are intended as a reference to assist our customers in the selection of the Renesas Technology Corp. product best suited to the customer's application; they do not convey any license under any intellectual property rights, or any other rights, belonging to Renesas Technology Corp. or a third party.
 2. Renesas Technology Corp. assumes no responsibility for any damage, or infringement of any third-party's rights, originating in the use of any product data, diagrams, charts, programs, algorithms, or circuit application examples contained in these materials.
 3. All information contained in these materials, including product data, diagrams, charts, programs and algorithms represents information on products at the time of publication of these materials, and are subject to change by Renesas Technology Corp. without notice due to product improvements or other reasons. It is therefore recommended that customers contact Renesas Technology Corp. or an authorized Renesas Technology Corp. product distributor for the latest product information before purchasing a product listed herein.
The information described here may contain technical inaccuracies or typographical errors.
Renesas Technology Corp. assumes no responsibility for any damage, liability, or other loss rising from these inaccuracies or errors.
Please also pay attention to information published by Renesas Technology Corp. by various means, including the Renesas Technology Corp. Semiconductor home page (<http://www.renesas.com>).
 4. When using any or all of the information contained in these materials, including product data, diagrams, charts, programs, and algorithms, please be sure to evaluate all information as a total system before making a final decision on the applicability of the information and products. Renesas Technology Corp. assumes no responsibility for any damage, liability or other loss resulting from the information contained herein.
 5. Renesas Technology Corp. semiconductors are not designed or manufactured for use in a device or system that is used under circumstances in which human life is potentially at stake. Please contact Renesas Technology Corp. or an authorized Renesas Technology Corp. product distributor when considering the use of a product contained herein for any specific purposes, such as apparatus or systems for transportation, vehicular, medical, aerospace, nuclear, or undersea repeater use.
 6. The prior written approval of Renesas Technology Corp. is necessary to reprint or reproduce in whole or in part these materials.
 7. If these products or technologies are subject to the Japanese export control restrictions, they must be exported under a license from the Japanese government and cannot be imported into a country other than the approved destination.
Any diversion or reexport contrary to the export control laws and regulations of Japan and/or the country of destination is prohibited.
 8. Please contact Renesas Technology Corp. for further details on these materials or the products contained therein.
-



RENESAS SALES OFFICES

<http://www.renesas.com>

Refer to "<http://www.renesas.com/en/network>" for the latest and detailed information.

Renesas Technology America, Inc.

450 Holger Way, San Jose, CA 95134-1368, U.S.A
Tel: <1> (408) 382-7500, Fax: <1> (408) 382-7501

Renesas Technology Europe Limited

Dukes Meadow, Millboard Road, Bourne End, Buckinghamshire, SL8 5FH, U.K.
Tel: <44> (1628) 585-100, Fax: <44> (1628) 585-900

Renesas Technology (Shanghai) Co., Ltd.

Unit 204, 205, AZIACenter, No.1233 Lujiazui Ring Rd, Pudong District, Shanghai, China 200120
Tel: <86> (21) 5877-1818, Fax: <86> (21) 6887-7898

Renesas Technology Hong Kong Ltd.

7th Floor, North Tower, World Finance Centre, Harbour City, 1 Canton Road, Tsimshatsui, Kowloon, Hong Kong
Tel: <852> 2265-6688, Fax: <852> 2730-6071

Renesas Technology Taiwan Co., Ltd.

10th Floor, No.99, Fushing North Road, Taipei, Taiwan
Tel: <886> (2) 2715-2888, Fax: <886> (2) 2713-2999

Renesas Technology Singapore Pte. Ltd.

1 Harbour Front Avenue, #06-10, Keppel Bay Tower, Singapore 098632
Tel: <65> 6213-0200, Fax: <65> 6278-8001

Renesas Technology Korea Co., Ltd.

Kukje Center Bldg. 18th Fl., 191, 2-ka, Hangang-ro, Yongsan-ku, Seoul 140-702, Korea
Tel: <82> (2) 796-3115, Fax: <82> (2) 796-2145

Renesas Technology Malaysia Sdn. Bhd

Unit 906, Block B, Menara Amcorp, Amcorp Trade Centre, No.18, Jalan Persiaran Barat, 46050 Petaling Jaya, Selangor Darul Ehsan, Malaysia
Tel: <603> 7955-9390, Fax: <603> 7955-9510