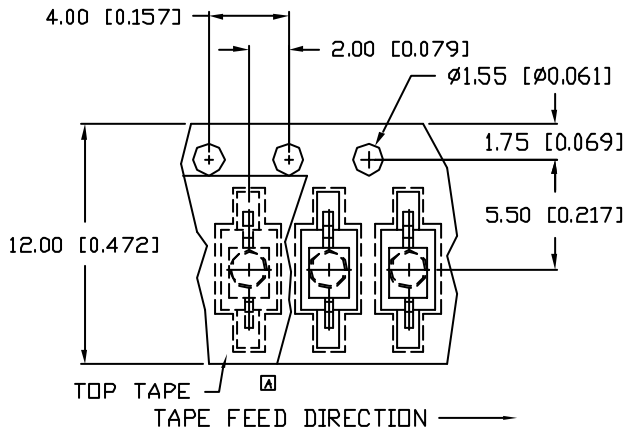
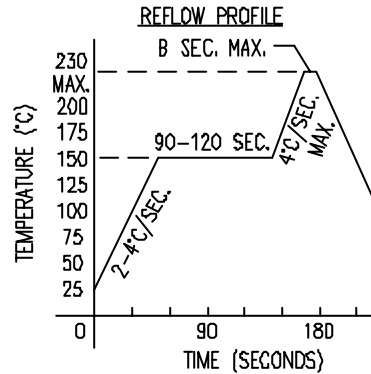
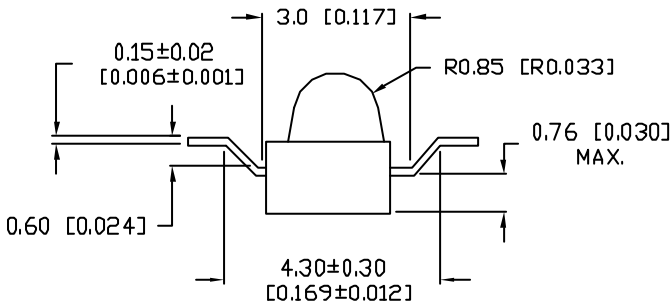
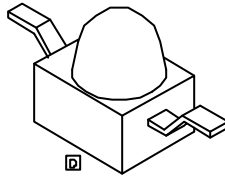
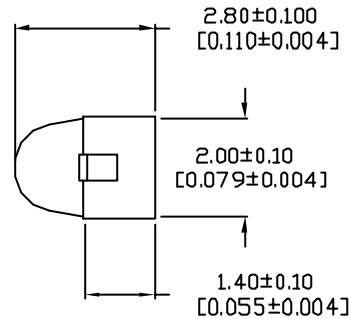
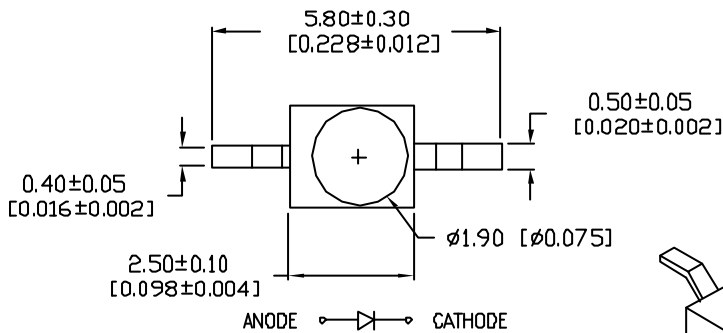
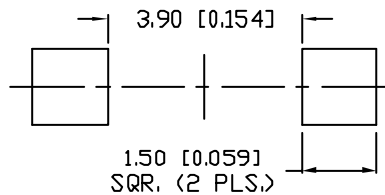


UNCONTROLLED DOCUMENT



RECOMMENDED SOLDER PAD LAYOUT



\*UNLESS OTHERWISE SPECIFIED TOLERANCES PER DECIMAL PRECISION ARE: X=±1 (±0.039), XX=±0.5 (±0.020), XXX=±0.25 (±0.010), XXXX=±0.127 (±0.005). LEAD SIZE=±0.05 (±0.002), LEAD LENGTH=±0.10 (±0.005).

PA  
SSL-LXA

REV.	E.C.N. NUMBER
A	REDRAWN, CHG'D
B	CHG'D SAFE OPE
C	CHG'D. WHERE N
D	E.C.N. #10695. &
E	E.C.N. #10762.

ELECTRO-OPTICAL CHARACTERISTICS

PARAMETER	MIN
PEAK WAVELENGTH	
FORWARD VOLTAGE	
REVERSE VOLTAGE	5.0
AXIAL INTENSITY	
VIEWING ANGLE	
EMITTED COLOR:	GREEN
EPOXY LENS FINISH:	WATER CL

LIMITS OF SAFE OPERATION AT 25°C

PARAMETER	MIN
PEAK FORWARD CURRENT*	
STEADY CURRENT	
POWER DISSIPATION	
DERATE FROM 25°C	
OPERATING, STORAGE TEMP.	
SOLDERING TEMP.	
2.0mm FROM BODY	

\* t<10µS

NOTES:

- 1,000 PIECES
- THE CATHODE TOWARDS THE
- REPLACES F

UNCONT

REV.	PART NUMBER
E	SSL-LXA228GC-TR31

565nm GREEN, AXIAL LED,  
WATER CLEAR LENS, Z BEND, TAPE AND REEL.

CONFIDENTIAL INFORMATION  
THE INFORMATION CONTAINED IN THIS DOCUMENT IS THE PROPERTY OF LUMEX INC. EXCEPT AS SPECIFICALLY AUTHORIZED IN WRITING BY LUMEX INC., THE HOLDER OF THIS DOCUMENT SHALL KEEP ALL INFORMATION CONTAINED HEREIN CONFIDENTIAL AND SHALL PROTECT SAME IN WHOLE OR IN PART FROM DISCLOSURE AND DISSEMINATION TO ALL THIRD PARTIES.

RELIABILITY NOTE  
OUR MANY YEARS OF EXPERIENCE DATA ACCUMULATION INDICATE THAT SOLDER HEAT IS A MAJOR CAUSE OF EARLY AND FUTURE FAILURE. PLEASE PAY ATTENTION TO YOUR SOLDERING PROCESS.



DRAWN BY:	CHECKED:
TM/BC/CT	