



STEVAL-IPE008V1

Energy meter (3-phase) demonstration board based on the STPM01 and STR715FR0

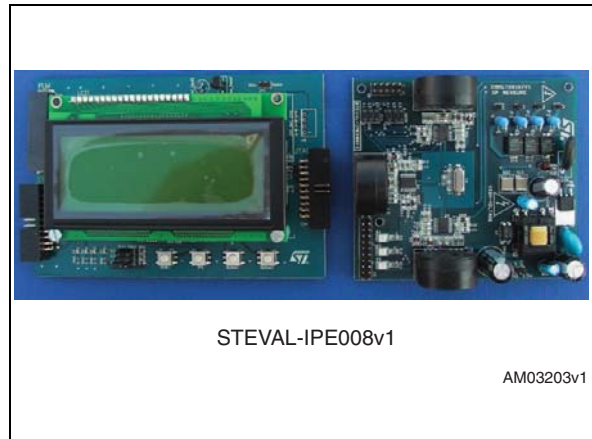
Data Brief

Features

- 3-phase meters
- Multi-chip topology, in which each phase is monitored using a single-phase device
- Common clock network
- Power supply in fly-back topology using a VIPer12ADIP-E

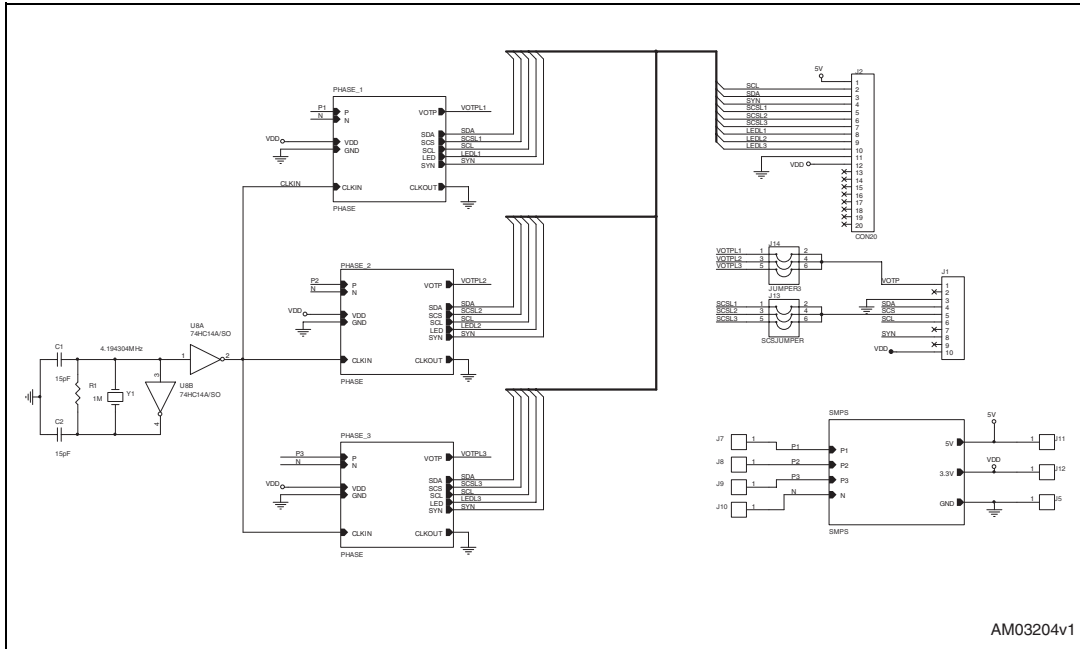
Description

The STEVAL-IPE008V1 demonstration board shows how to design a 3-phase meter using STPM01 as measuring device and a VIPer12ADIP-E as SMPS (switch mode power supply). The STPM01 is a metering ASSP implemented in an advanced 0.35 μm BCD6 technology. It is designed for the effective measurement of active, reactive, apparent energies, V_{RMS} , I_{RMS} , instantaneous voltage and current, and frequency in power line systems that use the current transformer, Rogowski coil and/or shunt principle. This device can be used as a standalone on-board metering device in single-phase energy meter applications or as a peripheral in a microprocessor based single- or 3-phase meter. In a standalone configuration STPM01 outputs a pulse train signal having a frequency proportional to the active power used, while in peripheral mode STPM01 is used in a microprocessor based application. In this case, measured data are read at a fixed interval from the device internal registers by means of SPI interface processed by a microcontroller.



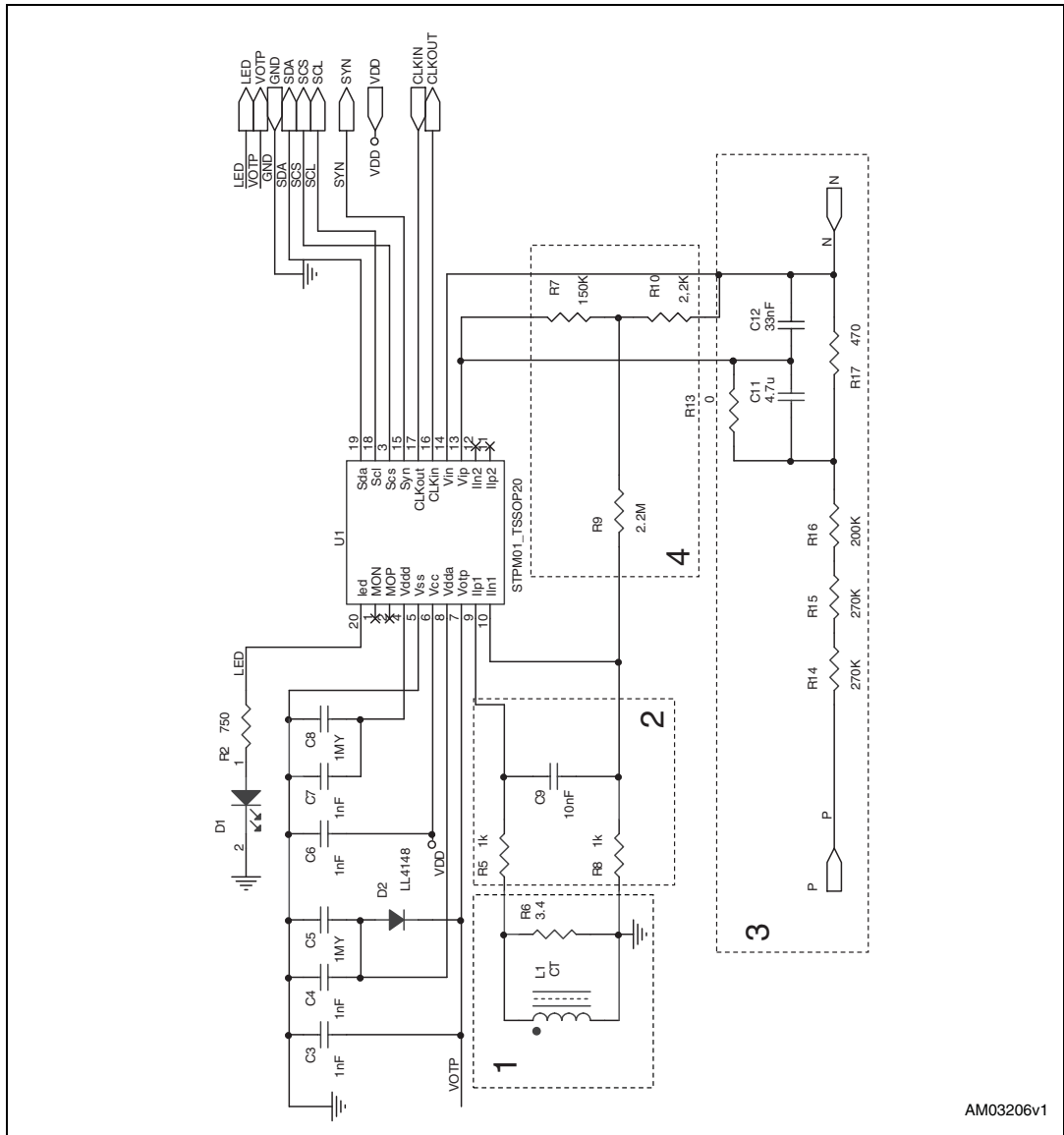
1 Circuit schematics

Figure 1. Top layer circuit schematic



AM03204v1

Figure 3. Phase circuit schematic



AM03206v1

Figure 4. Clock management network schematic

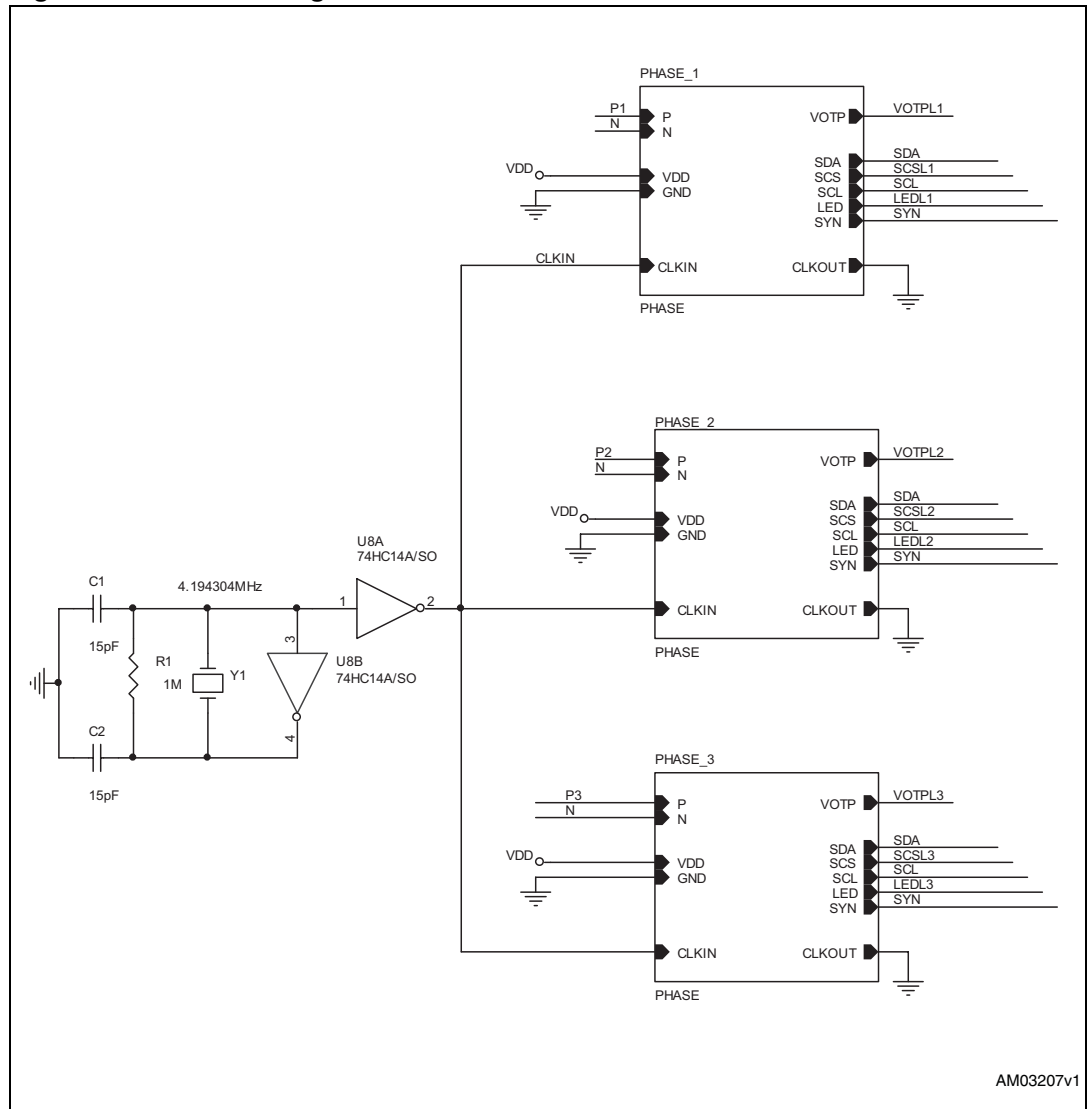
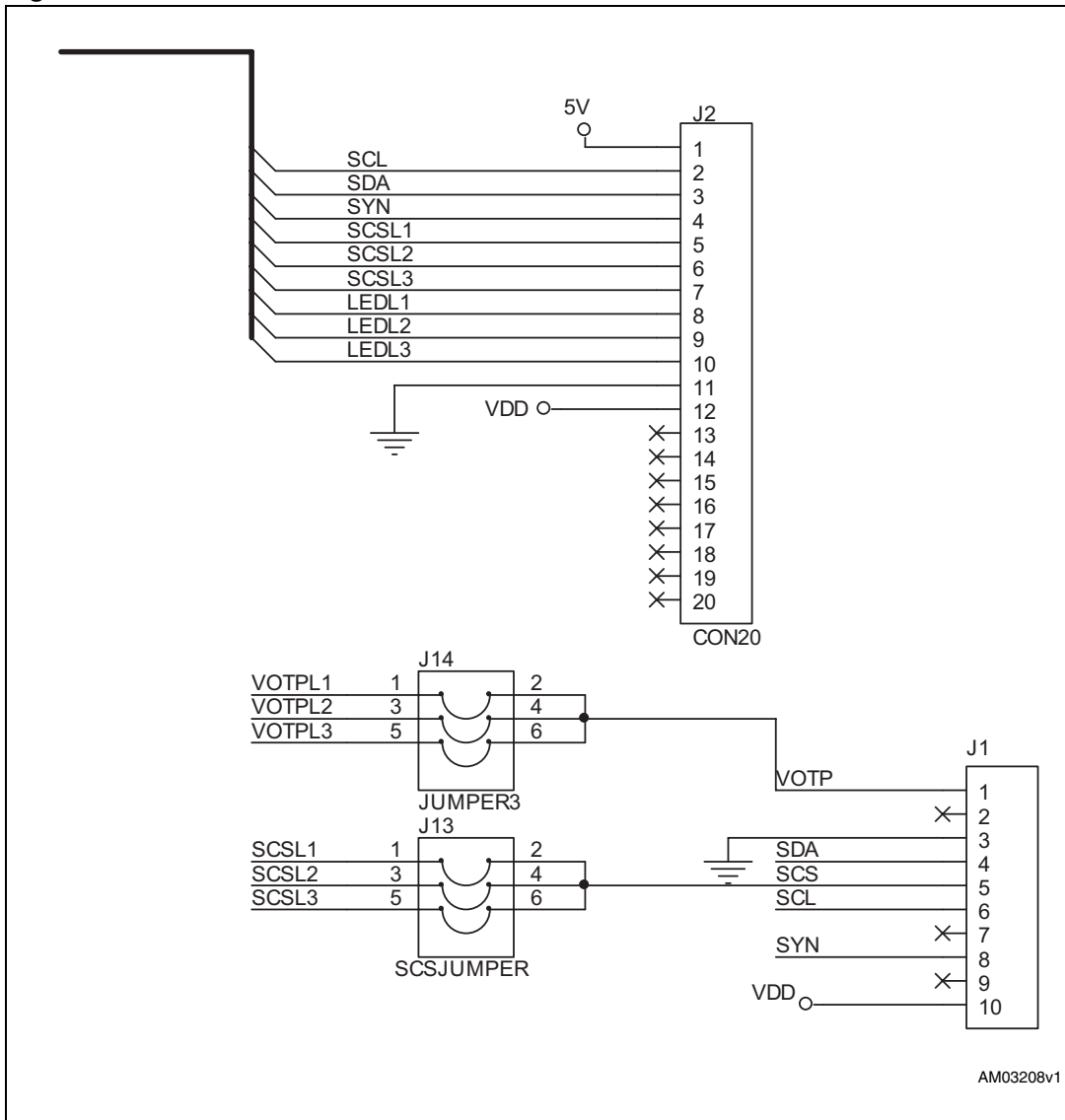


Figure 5. Connectors schematic



2 Revision history

Table 1. Document revision history

Date	Revision	Changes
25-Nov-2008	1	Initial release.

Please Read Carefully:

Information in this document is provided solely in connection with ST products. STMicroelectronics NV and its subsidiaries ("ST") reserve the right to make changes, corrections, modifications or improvements, to this document, and the products and services described herein at any time, without notice.

All ST products are sold pursuant to ST's terms and conditions of sale.

Purchasers are solely responsible for the choice, selection and use of the ST products and services described herein, and ST assumes no liability whatsoever relating to the choice, selection or use of the ST products and services described herein.

No license, express or implied, by estoppel or otherwise, to any intellectual property rights is granted under this document. If any part of this document refers to any third party products or services it shall not be deemed a license grant by ST for the use of such third party products or services, or any intellectual property contained therein or considered as a warranty covering the use in any manner whatsoever of such third party products or services or any intellectual property contained therein.

UNLESS OTHERWISE SET FORTH IN ST'S TERMS AND CONDITIONS OF SALE ST DISCLAIMS ANY EXPRESS OR IMPLIED WARRANTY WITH RESPECT TO THE USE AND/OR SALE OF ST PRODUCTS INCLUDING WITHOUT LIMITATION IMPLIED WARRANTIES OF MERCHANTABILITY, FITNESS FOR A PARTICULAR PURPOSE (AND THEIR EQUIVALENTS UNDER THE LAWS OF ANY JURISDICTION), OR INFRINGEMENT OF ANY PATENT, COPYRIGHT OR OTHER INTELLECTUAL PROPERTY RIGHT.

UNLESS EXPRESSLY APPROVED IN WRITING BY AN AUTHORIZED ST REPRESENTATIVE, ST PRODUCTS ARE NOT RECOMMENDED, AUTHORIZED OR WARRANTED FOR USE IN MILITARY, AIR CRAFT, SPACE, LIFE SAVING, OR LIFE SUSTAINING APPLICATIONS, NOR IN PRODUCTS OR SYSTEMS WHERE FAILURE OR MALFUNCTION MAY RESULT IN PERSONAL INJURY, DEATH, OR SEVERE PROPERTY OR ENVIRONMENTAL DAMAGE. ST PRODUCTS WHICH ARE NOT SPECIFIED AS "AUTOMOTIVE GRADE" MAY ONLY BE USED IN AUTOMOTIVE APPLICATIONS AT USER'S OWN RISK.

Resale of ST products with provisions different from the statements and/or technical features set forth in this document shall immediately void any warranty granted by ST for the ST product or service described herein and shall not create or extend in any manner whatsoever, any liability of ST.

ST and the ST logo are trademarks or registered trademarks of ST in various countries.

Information in this document supersedes and replaces all information previously supplied.

The ST logo is a registered trademark of STMicroelectronics. All other names are the property of their respective owners.

© 2008 STMicroelectronics - All rights reserved

STMicroelectronics group of companies

Australia - Belgium - Brazil - Canada - China - Czech Republic - Finland - France - Germany - Hong Kong - India - Israel - Italy - Japan - Malaysia - Malta - Morocco - Singapore - Spain - Sweden - Switzerland - United Kingdom - United States of America

www.st.com