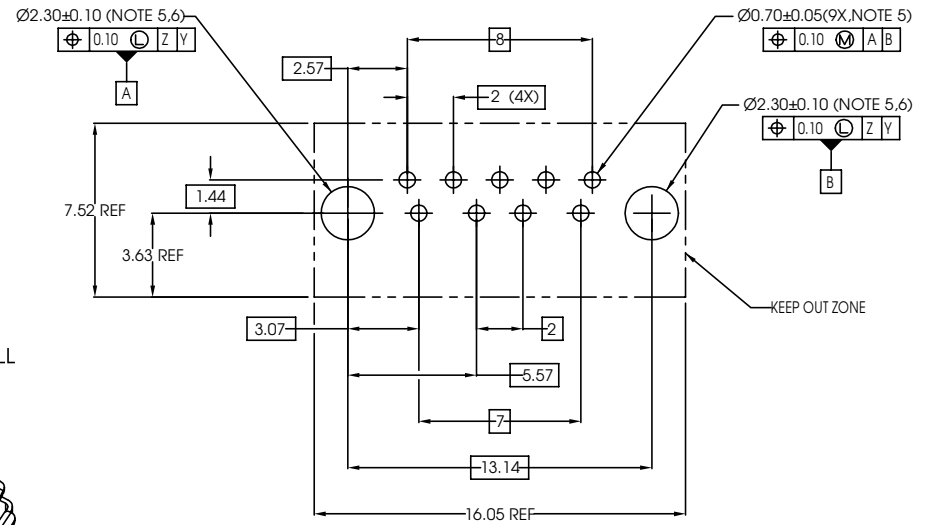
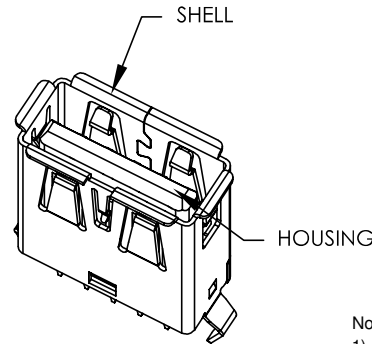
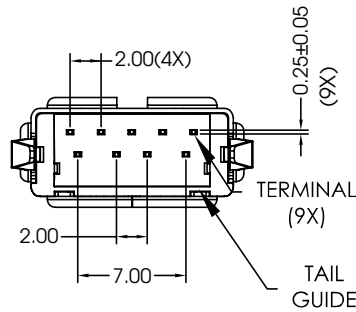
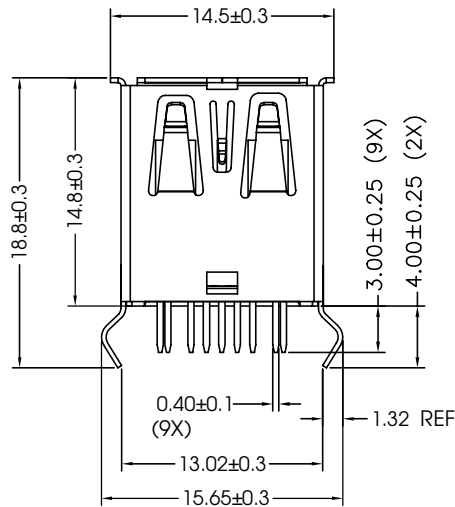
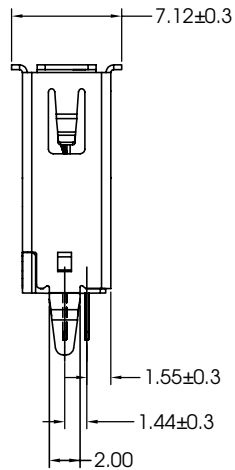
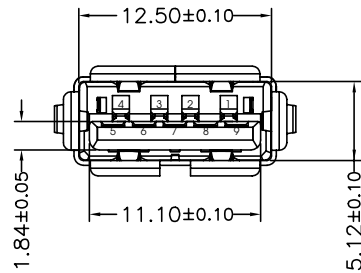




PART NUMBER	Contact Area Plating	DURABILITY (cycles)
10117836-001LF	30u" (0.76um) Min. gold	3500 Min.
10117836-002LF	Gold Flash	1500 Min.



Recommended PCB Layout  
PCB Thickness=1.8±0.1mm

Notes:

- Materials  
Housing & Tail Guide: Glass fiber filled thermoplastic resin, UL94 V-0 rated, color blue.  
Terminals: Copper Alloy, 50u"(1.27um) Min. Ni underplated over all.  
Contact area: see table  
Tail area: 80u"(2.0um) Min. Matte Tin plated.  
Shell: Copper Alloy, 50u"(1.27um) Min. Ni plated over all.
- Product specification refer to FCI GS-12-0928.
- Package specification refer to GS-14-2157 (Tray package style).
- This product will withstand exposure to 260 °C peak temp. for 10 seconds in a wave soldering application with recommended thick circuit board.
- Product meets European Union Directives and other country regulations as described in FCI GS-22-008.
- Recommended PCB hole is finished plating through hole (PTH) size.
- Datum Z,Y and basic dimensions were constructed by customer.

mat'l. code	surface ASME Y14.5 ✓ tolerances unless otherwise specified	tolerance ASME Y14.5	projection MM	product family USB 3.0
ltr ecn nodr date	AZH 07/17/2012	angle X.±0.30 X.X±0.25 X.XX±0.20	scale	title USB 3.0 Standard-A Receptacle Vertical Type Soldering to Board Termination
dr	BEER FU 032111			dwg no
enr	BEER FU 032111			sheet 1 of 1
chr	BEER FU 032111			10117836
app	BEER FU 032111			A4
sheet index	revision A sheet 1			type CUSTOMER Drawing