

FEATURES AND SPECIFICATIONS

Features and Benefits

- Carries 3 more amperes per circuit than 5566 series headers
- Headers available with mounting pegs for increased board retention
- Single row configuration saves board space

Reference Information

Product Specification: PSX-44476-0001
 Packaging: Tray or bag
 UL File No.: E29179
 CSA File No.: LR19980
 TUV License No.: R75142
 Mates With: [5557](#) single row housing
 Designed In: Millimeters

Electrical

Voltage: 600V
 Current: (Used with 16 AWG)

Circuits	2-3	4-6	7-10	12-24
Amperes-Jr.	9	8	7	6
Amperes-HCS	12	11	10	9

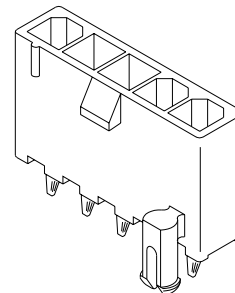
Contact Resistance: 10mΩ max.
 Dielectric Withstanding Voltage: 1500V
 Insulation Resistance: 1000 MΩ min.

Mechanical

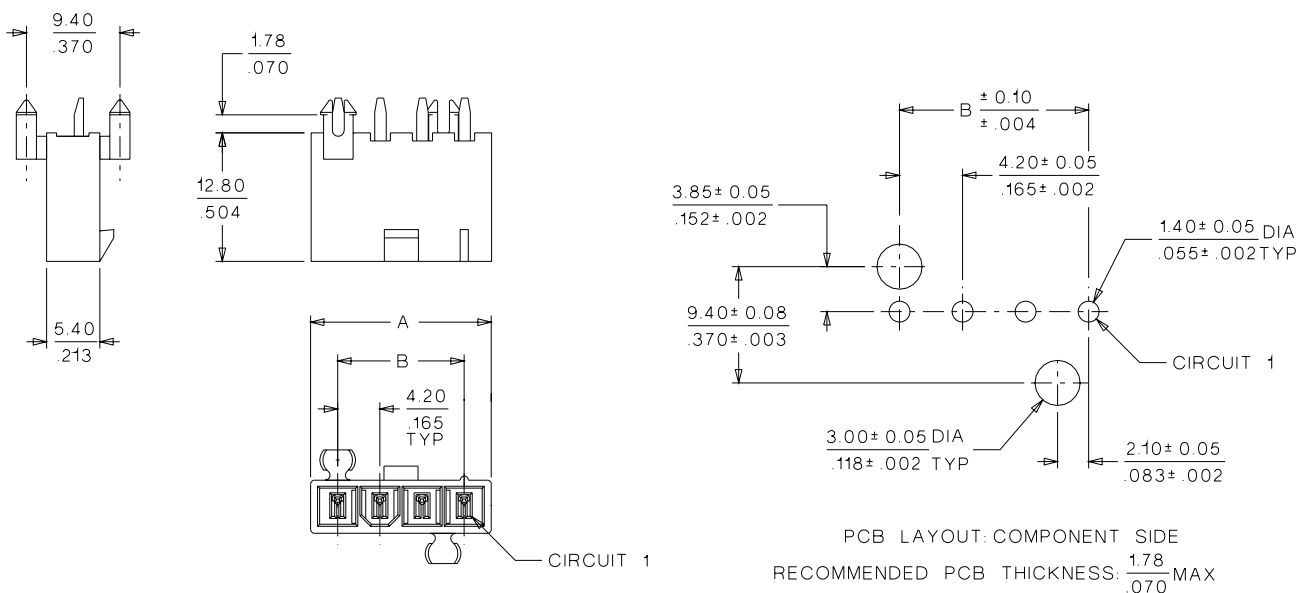
Insertion Force to PCB: 5.0kg max.
 Mating Force: 0.7kg (1.54 lb) max.
 Unmating Force: 0.35kg (0.7 lb) min.
 Normal Force: 200g min.
 Durability: 30 cycles

Physical

Housing: 6/6 nylon, UL 94V-2 or UL 94V-0
 Contact: High Copper Alloy
 Plating: Tin
 Operating Temperature: -40 to +105°C


**4.20mm (.165") Pitch
 Mini-Fit, HCS™
 Header**
44472**Single Row, Vertical
 With Pegs**

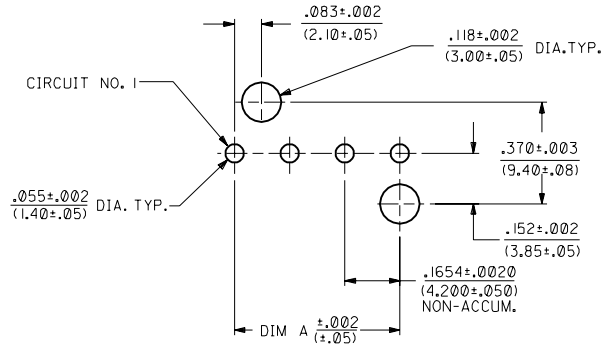
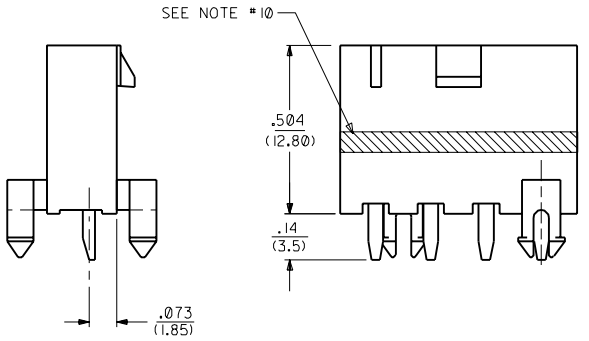
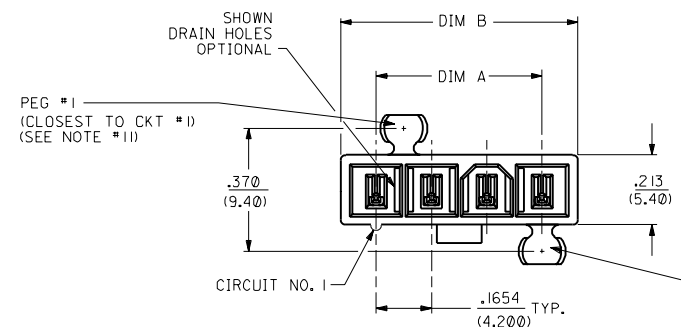
CATALOG DRAWING (FOR REFERENCE ONLY)



ORDERING INFORMATION AND DIMENSIONS

Circuits	With Drain Holes			
	Order No.		Dimension	
	94V-2	94V-0	A	B
3	44472-0313	44472-0314	13.80 (.543)	8.40 (.331)
4	44472-0401		18.00 (.709)	12.60 (.496)
5		44472-0502	22.20 (.874)	16.80 (.661)

Circuits	Without Drain Holes			
	Order No.		Dimension	
	94V-2	94V-0	A	B
3	44472-0311	44472-0312	13.80 (.543)	8.40 (.331)
4			18.00 (.709)	12.60 (.496)
5		44472-0504	22.20 (.874)	16.80 (.661)



RECOMMENDED HOLE LAYOUT FOR
 .070/(1.78) MAX. THICK P. C. BOARD
 (SEE NOTE 4)

NOTES:

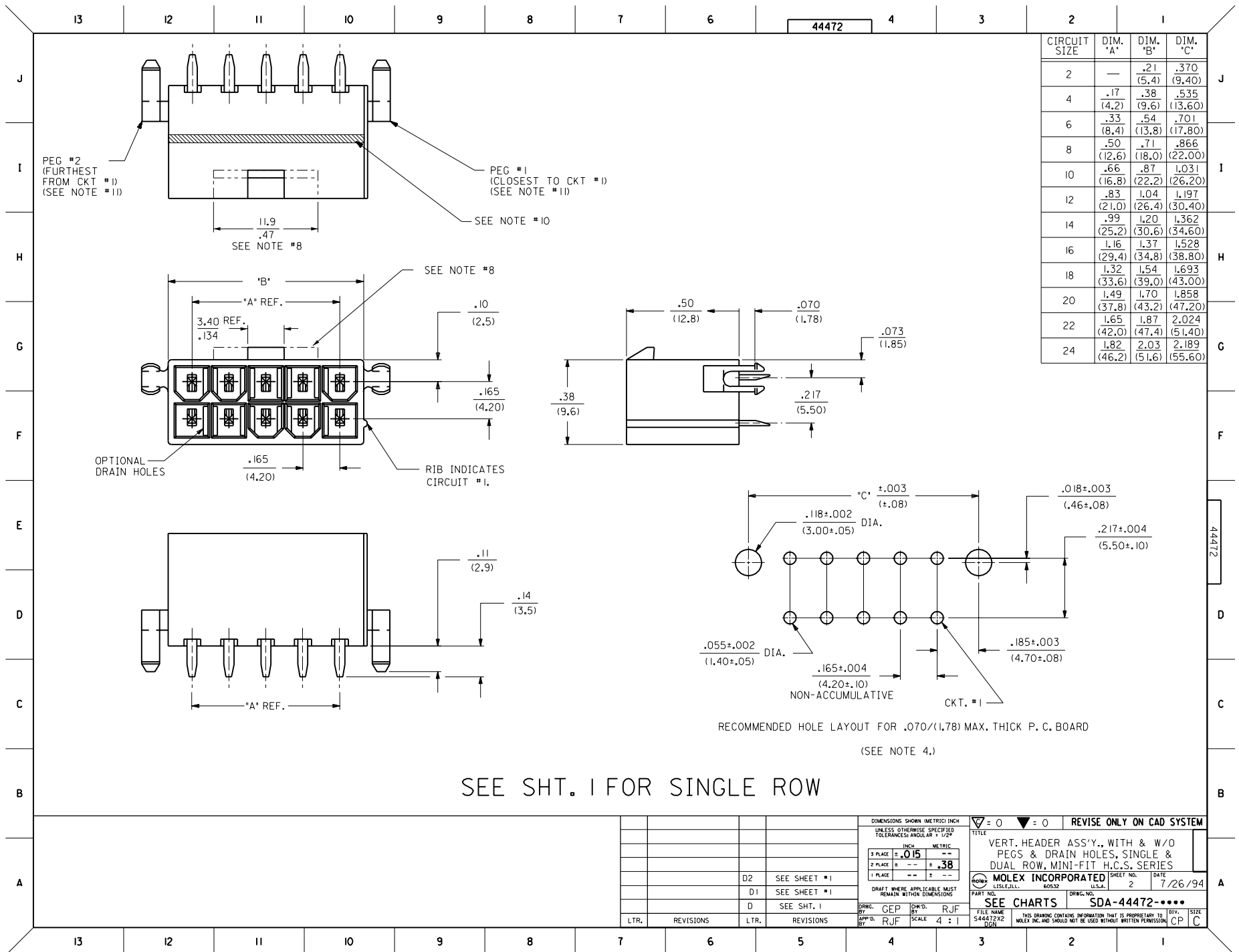
- 1) HOUSING MATERIAL:
 - 1 - NYLON 6/6, U.L. 94V-2, COLOR: NATURAL.
 - 2 - NYLON 6/6, U.L. 94V-0, COLOR: NATURAL.
 - 3 - NYLON 6/6, U.L. 94V-2, COLOR: DYED BLACK
- 2) TERMINAL MATERIAL: ALLOY C197
- 3) PART MATES WITH MINI-FIT JR. RECEPTACLE NO. 5557.
- 4) PART IS DESIGNED IN METRIC.
- 5) TERMINAL PLATING:
 - "1" - TIN/LEAD 100 M.I. MIN OVER NICKEL
 - "2" - SELECT GOLD 30 M.I. MIN. WITH
 SELECT TIN-LEAD 80 M.I. MIN. OVER NICKEL OVERALL
- 6) THIS PART COMPLIES WITH MOLEX PROD. SPEC. PSX-44476-0001.
- 7) PARTS ARE NOT TO BE MATED OR UNMATED WHILE CIRCUITS ARE LIVE.
- 8) 44472-2470 ONLY FOR WIDER LOCKING RAMP
- 9) SEE THE CHART FOR PACKAGING REQUIREMENTS.
- 10) BLACK STRIPE MAY APPEAR ON EITHER SIDE OF THE CONNECTOR.
- 11) SEE CHART FOR PARTS WITH PEGS REMOVED

CKT SIZE	DIM A	DIM B
4	.496 (12.60)	.709 (18.00)
5	.661 (16.80)	.874 (22.20)
6	.827 (21.00)	1.039 (26.40)
7	.992 (25.20)	1.205 (30.60)
8	1.157 (29.40)	1.370 (34.80)
9	1.323 (33.60)	1.535 (39.00)
10	1.488 (37.80)	1.701 (43.20)
11	1.654 (42.00)	1.866 (47.40)
12	1.819 (46.20)	2.031 (51.60)

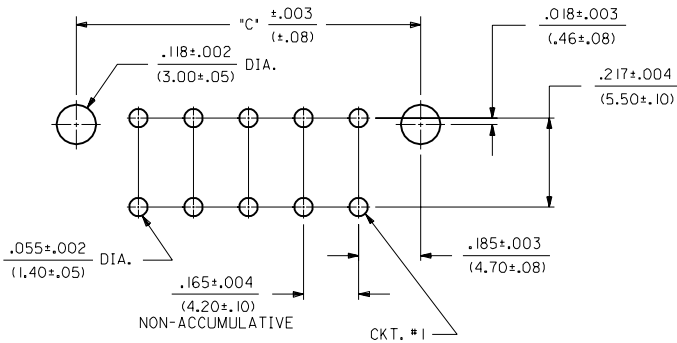
LEGEND:
 44472 - ** **
 CIRCUIT SIZE
 (04-12 FOR SINGLE ROW)
 (02-24 FOR DUAL ROW)
 ASSEMBLY VERSION
 (01 THRU 49 FOR SINGLE ROW)
 (50 THRU 99 FOR DUAL ROW)

SEE SHT. 2 FOR DUAL ROW
 * THE CHART FOR SINGLE ROW PRODUCT IS ON PAGE 7

DIMENSIONS SHOWN METRIC () INCH		UNLESS OTHERWISE SPECIFIED TOLERANCES: ANGULAR ± 1°		REVISIONS		REVISIONS		REVISIONS		REVISIONS	
3 PLACE	± .015	---	---	D4	REMOVED B TO D3 REVISION	---	---	---	---	---	---
2 PLACE	± --	± .38	---	---	UICR200 I-1032	---	---	---	---	---	---
1 PLACE	---	± --	---	---	JIWANG 01-05-04	---	---	---	---	---	---
DRAFT WHERE APPLICABLE MUST REMAIN WITHIN DIMENSIONS				DRG. NO. CEP		CHKD. BY RJF		FILE NAME S44472X1		DATE 7/25/94	
MFG: SHL REV.				APP'D. BY RJF		SCALE 4 : 1		SEE CHARTS		SDA-44472-****	
MOLEX INCORPORATED				LITLLE, ILL. 60532		U.S.A. 1 OF 8		SHEET NO.		DATE	



CIRCUIT SIZE	DIM. 'A'	DIM. 'B'	DIM. 'C'
2	—	.21 (5.4)	.370 (9.40)
4	.17 (4.2)	.38 (9.6)	.535 (13.60)
6	.33 (8.4)	.54 (13.8)	.701 (17.80)
8	.50 (12.6)	.71 (18.0)	.866 (22.00)
10	.66 (16.8)	.87 (22.2)	1.031 (26.20)
12	.83 (21.0)	1.04 (26.4)	1.197 (30.40)
14	.99 (25.2)	1.20 (30.6)	1.362 (34.60)
16	1.16 (29.4)	1.37 (34.8)	1.528 (38.80)
18	1.32 (33.6)	1.54 (39.0)	1.693 (43.00)
20	1.49 (37.8)	1.70 (43.2)	1.858 (47.20)
22	1.65 (42.0)	1.87 (47.4)	2.024 (51.40)
24	1.82 (46.2)	2.03 (51.6)	2.189 (55.60)



RECOMMENDED HOLE LAYOUT FOR .070/(1.78) MAX. THICK P. C. BOARD
(SEE NOTE 4.)

SEE SHT. I FOR SINGLE ROW

DIMENSIONS SHOWN (METRIC) INCH UNLESS OTHERWISE SPECIFIED TOLERANCES ANGLES .01° ± .02°		▽ = 0 ▼ = 0		REVISE ONLY ON CAD SYSTEM	
INCH METRIC		TITLE		VERT. HEADER ASS'Y., WITH & W/O PEGS & DRAIN HOLES, SINGLE & DUAL ROW, MINI-FIT H.C.S. SERIES	
3 PLACE ± .015	--	MOLEX INCORPORATED		SHEET NO.	DATE
2 PLACE ± --	± .38	LITTLE, ILL.		2	7/26/94
1 PLACE --	± --	PART NO.		SDA-44472-0000	
DRAFT WHERE APPLICABLE MUST REMAIN WITHIN DIMENSIONS		SEE CHARTS		DRWG. NO.	
DRWG. BY: GEP	CHK'D. BY: RJF	FILE NAME:		THIS DRAWING CONTAINS INFORMATION THAT IS PROPRIETARY TO MOLEX INC. AND SHOULD NOT BE USED WITHOUT WRITTEN PERMISSION	
APP'D. BY: RJF	SCALE: 4 : 1	S44472X2		CP C	
LTR. REVISIONS	LTR. REVISIONS				

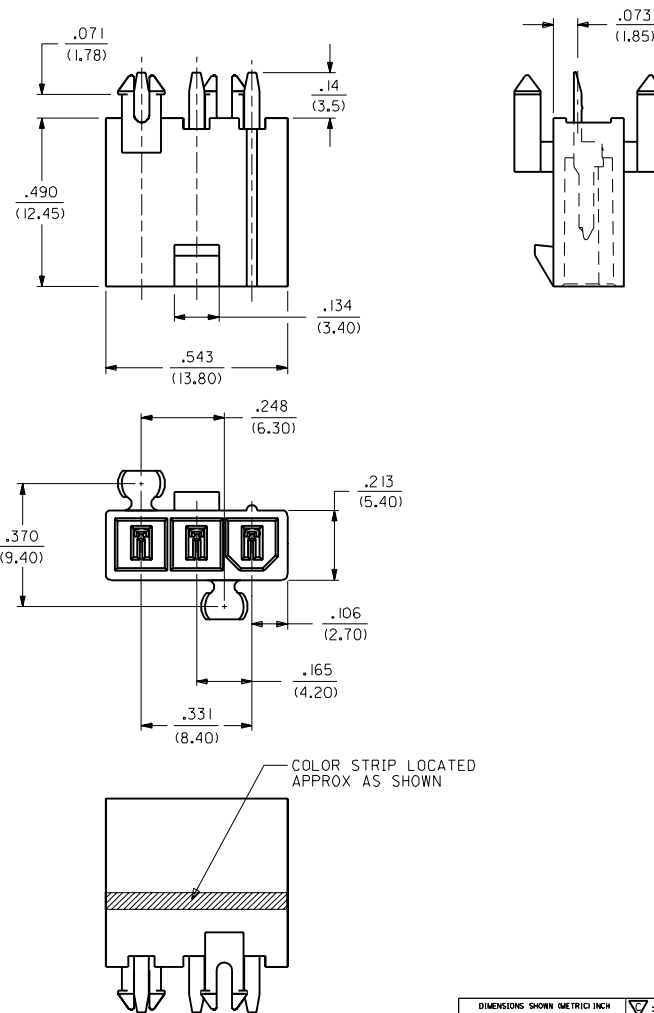
	13	12	11	10	9	8	7	6	5566	4	3	2	1
J	PIN NO: 44471-1191 PLATING: ES-88-191 DRAINS: WITH DRAIN HOLES PEGS: WITH PEGS MAT'L: 94V-2 [NATURAL] PACKAGING: BULK			PIN NO: 44471-1191 PLATING: ES-88-191 DRAINS: WITH DRAIN HOLES PEGS: WITH PEGS MAT'L: 94V-0 [NATURAL] PACKAGING: BULK			PIN NO: 44471-1191 PLATING: ES-88-191 DRAINS: WITHOUT DRAIN HOLES PEGS: WITH PEGS MAT'L: 94V-2 [NATURAL] PACKAGING: BULK			PIN NO: 44471-1191 PLATING: ES-88-191 DRAINS: WITHOUT DRAIN HOLES PEGS: WITH PEGS MAT'L: 94V-0 [NATURAL] PACKAGING: BULK			
I	ITEM NO.			CKTS	ITEM NO.			CKTS	ITEM NO.			CKTS	
	X	44472-0401		4	X	44472-0402		4	X	44472-0403		4	
	X	44472-0501		5		44472-0502		5	X	44472-0503		5	
	X	44472-0601		6	X	44472-0602		6	X	44472-0603		6	
	X	44472-0701		7	X	44472-0702		7	X	44472-0703		7	
	X	44472-0801		8	X	44472-0802		8	X	44472-0803		8	
	X	44472-0901		9	X	44472-0902		9	X	44472-0903		9	
H	X	44472-1001		10	X	44472-1002		10	X	44472-1003		10	
	X	44472-1101		11	X	44472-1102		11	X	44472-1103		11	
	X	44472-1201		12	X	44472-1202		12	X	44472-1203		12	
G	PIN NO: 44471-1589 PLATING: ES-88-589 DRAINS: WITH DRAIN HOLES PEGS: WITHOUT PEGS MAT'L: 94V-2 [NATURAL] PACKAGING: BULK			PIN NO: 44471-1589 PLATING: ES-88-589 DRAINS: WITH DRAIN HOLES PEGS: WITHOUT PEGS MAT'L: 94V-0 [NATURAL] PACKAGING: BULK			PIN NO: 44471-1589 PLATING: ES-88-589 DRAINS: WITH DRAIN HOLES PEGS: WITHOUT PEGS MAT'L: 94V-2 [NATURAL] PACKAGING: BULK			PIN NO: 44471-1589 PLATING: ES-88-589 DRAINS: WITH DRAIN HOLES PEGS: WITH PEGS MAT'L: 94V-0 [NATURAL] PACKAGING: BULK			
F	ITEM NO.			CKTS	ITEM NO.			CKTS	ITEM NO.			CKTS	
	X	44472-0405		4	X	44472-0406		4	X	44472-0407		4	
	X	44472-0505		5	X	44472-0506		5	X	44472-0507		5	
	X	44472-0605		6	X	44472-0606		6	X	44472-0607		6	
	X	44472-0705		7	X	44472-0706		7	X	44472-0707		7	
	X	44472-0805		8	X	44472-0806		8	X	44472-0807		8	
	X	44472-0905		9	X	44472-0906		9	X	44472-0907		9	
	X	44472-1005		10	X	44472-1006		10	X	44472-1007		10	
	X	44472-1105		11	X	44472-1106		11	X	44472-1107		11	
	X	44472-1205		12	X	44472-1206		12	X	44472-1207		12	
E	5566												
D	5566												
C	5566												
B	5566												
A	5566												
	13	12	11	10	9	8	7	6	5	4	3	2	1

DIMENSIONS SHOWN (METRIC) INCH UNLESS OTHERWISE SPECIFIED TOLERANCES: ANGULAR ± 1/2°		▽ = 0 ▼ = 0 REVISE ONLY ON CAD SYSTEM	
INCH METRIC		TITLE	
5 PLACE ± .010	---	MINI-FIT JR. VERT. HEADER ASSEMBLIES W/O MTG. PEGS AND DRAIN HOLE OPTION.	
2 PLACE ± .015	± 0.25	PART NO. SHEET NO. DATE	
1 PLACE ---	± 0.38	SDA-44472X1 7 99/02/26	
DRAFT WHERE APPLICABLE MUST REMAIN WITHIN DIMENSIONS		MOLEX INCORPORATED U.S.A.	
DRWG. NO. DRWG. NO.		SEE CHART. SDA-44472-****	
DRWG. BY: LEM	CHK'D. BY: MAB	FILE NAME: SDA44472X1.DGN	
APP'D. BY: RRE	SCALE: 2 : 1	THIS DRAWING CONTAINS INFORMATION THAT IS PROPRIETARY TO MOLEX INC. AND SHOULD NOT BE USED WITHOUT WRITTEN PERMISSION.	
LTR.	REVISIONS	LTR.	REVISIONS

NOTES:

- 1) HOUSING MATERIAL:
1 - NYLON 6/6, U.L. 94V-2, COLOR: NATURAL.
2 - NYLON 6/6, U.L. 94V-0, COLOR: NATURAL.
- 2) TERMINAL MATERIAL: ALLOY C197.
- 3) TERMINAL PLATING:
"I" = .TIN/LEAD 100 M.I. MIN OVER NICKEL
- 4) PART IS DESIGNED IN METRIC.
- 5) PART MATES WITH MINI-FIT JR. RECEPTACLE NO. 5557.
- 7) THIS PART CONFORMS TO MOLEX PRODUCT SPECIFICATION NO. PS-44476-0001.
- 9) PART ARE NOT TO BE MATED OR UN-MATED WHILE CIRCUITS ARE LIVE.

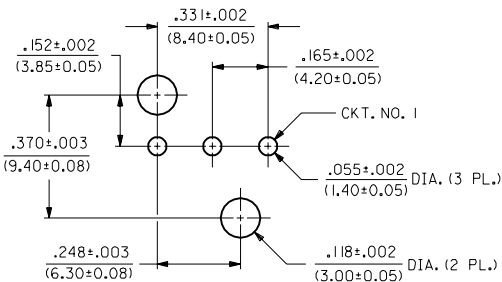
ITEM NO.	PLATING (SEE NOTE 3)	ASS'Y. OPT.
44472-0311	I	1
44472-0312	I	2
44472-0313	I	3
44472-0314	I	4



LEGEND

44472 - 03 * *

- BASE NO. _____
- CIRCUIT SIZE _____
- PLATING _____
(SEE NOTE 3)
- HOUSING MAT'L. & OPTIONS _____
- 1 = 94V-2, W/O DRAIN HOLES
 - 2 = 94V-0, W/O DRAIN HOLES
 - 3 = 94V-2, WITH DRAIN HOLES
 - 4 = 94V-0, WITH DRAIN HOLES



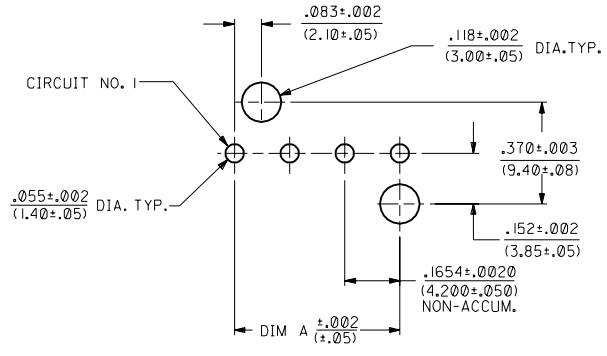
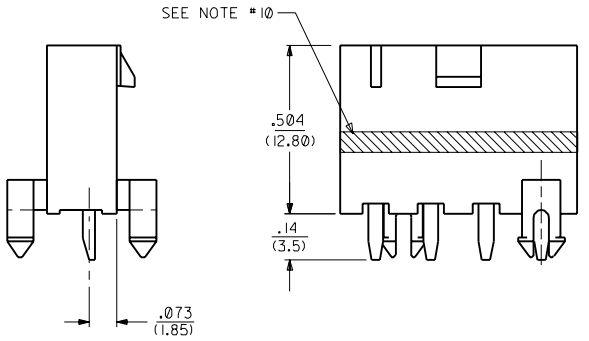
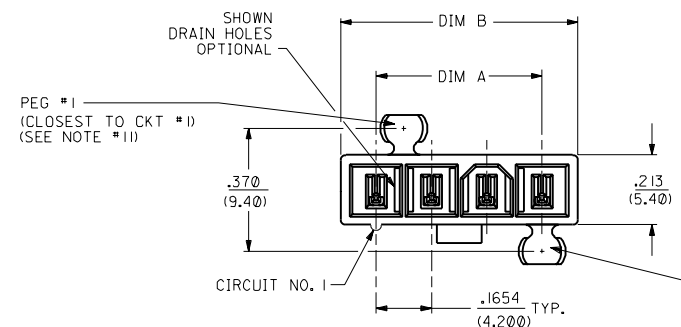
RECOMMENDED HOLE LAYOUT FOR
.070/(1.78) MAX. THICK P.C. BOARD

DIMENSIONS SHOWN METRIC INCH		▽ = 0	▼ = 0	REVISE ONLY ON CAD SYSTEM
UNLESS OTHERWISE SPECIFIED TOLERANCES: ANGULAR ± 1/2°				
3 PLACE	± .010	INCH	METRIC	
2 PLACE	± .015		± 0.25	
1 PLACE	--		± 0.38	
DRAFT WHERE APPLICABLE MUST REMAIN WITHIN DIMENSIONS				
DRAWN BY: CEP		CHKD. BY: RJF		FILE NAME: S444723X1.DWG
APP'D. BY: RJF		SCALE: 4 : 1		DATE: 7/25/94
TITLE: VERTICAL HEADER ASS'Y., 3 CKT., SINGLE ROW, W & W/O DRAIN HOLES, MINI-FIT H.C.S SERIES		SHEET NO. 1 OF 1		DATE: 7/25/94
MOLEX INCORPORATED LISLE, ILL. 60532 U.S.A.		PART NO. SDA-44472-03**		
SEE CHART		DRWG. NO. SDA-44472-03**		
THIS DRAWING CONTAINS INFORMATION THAT IS PROPRIETARY TO MOLEX INC. AND SHOULD NOT BE USED WITHOUT WRITTEN PERMISSION.		DIV. CP		

44472

B

A



RECOMMENDED HOLE LAYOUT FOR
 .070/(1.78) MAX. THICK P. C. BOARD
 (SEE NOTE 4)

NOTES:

- 1) HOUSING MATERIAL:
 - 1 - NYLON 6/6, U.L. 94V-2, COLOR: NATURAL.
 - 2 - NYLON 6/6, U.L. 94V-0, COLOR: NATURAL.
 - 3 - NYLON 6/6, U.L. 94V-2, COLOR: DYED BLACK
- 2) TERMINAL MATERIAL: ALLOY C197
- 3) PART MATES WITH MINI-FIT JR. RECEPTACLE NO. 5557.
- 4) PART IS DESIGNED IN METRIC.
- 5) TERMINAL PLATING:
 - "1" - TIN/LEAD 100 M.I. MIN OVER NICKEL
 - "2" - SELECT GOLD 30 M.I. MIN. WITH
 SELECT TIN-LEAD 80 M.I. MIN. OVER NICKEL OVERALL
- 6) THIS PART COMPLIES WITH MOLEX PROD. SPEC. PSX-44476-0001.
- 7) PARTS ARE NOT TO BE MATED OR UNMATED WHILE CIRCUITS ARE LIVE.
- 8) 44472-2470 ONLY FOR WIDER LOCKING RAMP
- 9) SEE THE CHART FOR PACKAGING REQUIREMENTS.
- 10) BLACK STRIPE MAY APPEAR ON EITHER SIDE OF THE CONNECTOR.
- 11) SEE CHART FOR PARTS WITH PEGS REMOVED

CKT SIZE	DIM A	DIM B
4	.496 (12.60)	.709 (18.00)
5	.661 (16.80)	.874 (22.20)
6	.827 (21.00)	1.039 (26.40)
7	.992 (25.20)	1.205 (30.60)
8	1.157 (29.40)	1.370 (34.80)
9	1.323 (33.60)	1.535 (39.00)
10	1.488 (37.80)	1.701 (43.20)
11	1.654 (42.00)	1.866 (47.40)
12	1.819 (46.20)	2.031 (51.60)

LEGEND:
 44472 - ** **
 CIRCUIT SIZE
 (04-12 FOR SINGLE ROW)
 (02-24 FOR DUAL ROW)
 ASSEMBLY VERSION
 (01 THRU 49 FOR SINGLE ROW)
 (50 THRU 99 FOR DUAL ROW)

SEE SHT. 2 FOR DUAL ROW
 * THE CHART FOR SINGLE ROW PRODUCT IS ON PAGE 7

DIMENSIONS SHOWN METRIC () INCH		UNLESS OTHERWISE SPECIFIED TOLERANCES: ANGULAR ± 1/2°		REVISIONS	
3 PLACE	± .015	INCH	METRIC	D4	REMOVED B TO D3 REVISION UCR200 I-1032 JIHWANG 01-05-04
2 PLACE	± -- ± .38			LTR.	REVISIONS
1 PLACE	-- ± --			LTR.	REVISIONS
DRAFT WHERE APPLICABLE MUST REMAIN WITHIN DIMENSIONS				MFG: SHL REV.	
DRG. BY	CEP	CHKD. BY	RJF	PART NO. SDA-44472-0001	
APP'D. BY	RJF	SCALE	4 : 1	TITLE VERT. HEADER ASS'Y., WITH & W/O PEGS & DRAIN HOLES, SINGLE & DUAL ROW, MINI-FIT H.C.S. SERIES	
SEE CHARTS				SHEET NO. 1 OF 8 DATE 7/25/94	
THIS DRAWING CONTAINS INFORMATION THAT IS PROPRIETARY TO MOLEX INC. AND SHOULD NOT BE USED WITHOUT WRITTEN PERMISSION.				MATERIAL MOLEX INCORPORATED LISLE, ILL. 60532 U.S.A.	

	13	12	11	10	9	8	7	6	5566	4	3	2	1
J	PIN NO: 44471-1191 PLATING: ES-88-191 DRAINS: WITH DRAIN HOLES PEGS: WITH PEGS MAT'L: 94V-2 [NATURAL] PACKAGING: BULK			PIN NO: 44471-1191 PLATING: ES-88-191 DRAINS: WITH DRAIN HOLES PEGS: WITH PEGS MAT'L: 94V-0 [NATURAL] PACKAGING: BULK			PIN NO: 44471-1191 PLATING: ES-88-191 DRAINS: WITHOUT DRAIN HOLES PEGS: WITH PEGS MAT'L: 94V-2 [NATURAL] PACKAGING: BULK			PIN NO: 44471-1191 PLATING: ES-88-191 DRAINS: WITHOUT DRAIN HOLES PEGS: WITH PEGS MAT'L: 94V-0 [NATURAL] PACKAGING: BULK			
I	ITEM NO.			CKTS	ITEM NO.			CKTS	ITEM NO.			CKTS	
	X	44472-0401		4	X	44472-0402		4	X	44472-0403		4	
	X	44472-0501		5		44472-0502		5	X	44472-0503		5	
	X	44472-0601		6	X	44472-0602		6	X	44472-0603		6	
	X	44472-0701		7	X	44472-0702		7	X	44472-0703		7	
	X	44472-0801		8	X	44472-0802		8	X	44472-0803		8	
	X	44472-0901		9	X	44472-0902		9	X	44472-0903		9	
H	X	44472-1001		10	X	44472-1002		10	X	44472-1003		10	
	X	44472-1101		11	X	44472-1102		11	X	44472-1103		11	
	X	44472-1201		12	X	44472-1202		12	X	44472-1203		12	
G	PIN NO: 44471-1589 PLATING: ES-88-589 DRAINS: WITH DRAIN HOLES PEGS: WITHOUT PEGS MAT'L: 94V-2 [NATURAL] PACKAGING: BULK			PIN NO: 44471-1589 PLATING: ES-88-589 DRAINS: WITH DRAIN HOLES PEGS: WITHOUT PEGS MAT'L: 94V-0 [NATURAL] PACKAGING: BULK			PIN NO: 44471-1589 PLATING: ES-88-589 DRAINS: WITH DRAIN HOLES PEGS: WITHOUT PEGS MAT'L: 94V-2 [NATURAL] PACKAGING: BULK			PIN NO: 44471-1589 PLATING: ES-88-589 DRAINS: WITH DRAIN HOLES PEGS: WITH PEGS MAT'L: 94V-0 [NATURAL] PACKAGING: BULK			
F	ITEM NO.			CKTS	ITEM NO.			CKTS	ITEM NO.			CKTS	
	X	44472-0405		4	X	44472-0406		4	X	44472-0407		4	
	X	44472-0505		5	X	44472-0506		5	X	44472-0507		5	
	X	44472-0605		6	X	44472-0606		6	X	44472-0607		6	
	X	44472-0705		7	X	44472-0706		7	X	44472-0707		7	
	X	44472-0805		8	X	44472-0806		8	X	44472-0807		8	
	X	44472-0905		9	X	44472-0906		9	X	44472-0907		9	
	X	44472-1005		10	X	44472-1006		10	X	44472-1007		10	
	X	44472-1105		11	X	44472-1106		11	X	44472-1107		11	
	X	44472-1205		12	X	44472-1206		12	X	44472-1207		12	
E	5566												
D	5566												
C	5566												
B	5566												
A	5566												
	13	12	11	10	9	8	7	6	5	4	3	2	1

DIMENSIONS SHOWN (METRIC) INCH UNLESS OTHERWISE SPECIFIED TOLERANCES: ANGULAR ± 1/2°		▽ = 0 ▼ = 0 REVISE ONLY ON CAD SYSTEM	
INCH METRIC		TITLE	
5 PLACE ± .010	---	MINI-FIT JR. VERT. HEADER ASSEMBLIES W/O MTG. PEGS AND DRAIN HOLE OPTION.	
2 PLACE ± .015	± 0.25	PART NO. SHEET NO. DATE	
1 PLACE ---	± 0.38	SDA-44472X1 7 99/02/26	
DRAFT WHERE APPLICABLE MUST REMAIN WITHIN DIMENSIONS		MOLEX INCORPORATED U.S.A.	
DRWG. NO. DRWG. NO.		SEE CHART. SDA-44472-****	
DRWG. BY: LEM	CHK'D. BY: MAB	FILE NAME: SDA44472X1	
APP'D. BY: RRE	SCALE: 2 : 1	THIS DRAWING CONTAINS INFORMATION THAT IS PROPRIETARY TO MOLEX INC. AND SHOULD NOT BE USED WITHOUT WRITTEN PERMISSION.	
LTR.	REVISIONS	LTR.	REVISIONS