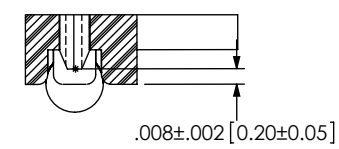
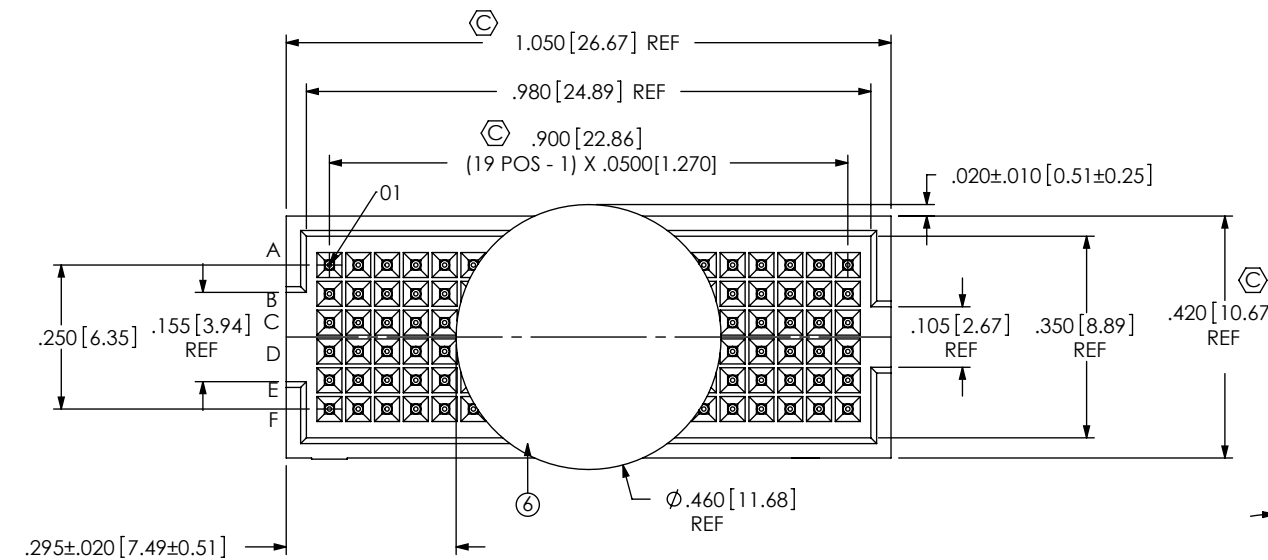
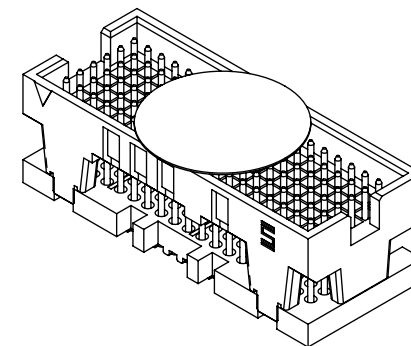
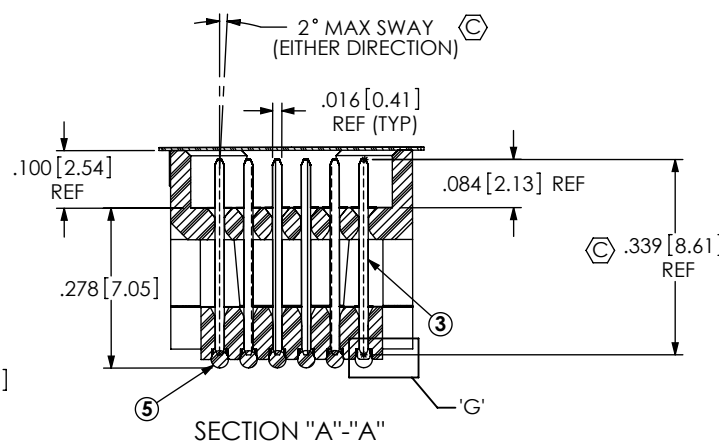
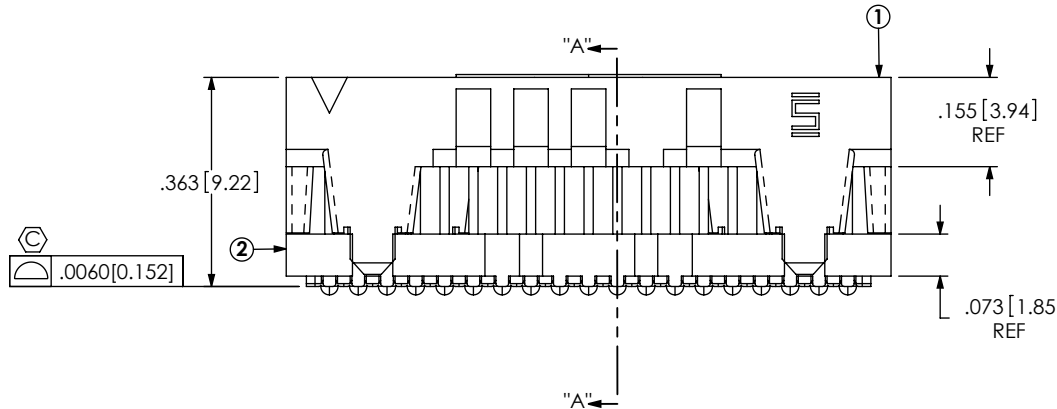


DO NOT SCALE FROM THIS PRINT

- NOTES:  
 1. ITEMS -1, -2, & -3 NOT AVAILABLE AS STANDARD, CUTOM FOR VARIATION OF VITA 42 XMC STANDARDS.  
 2. Ⓢ REPRESENTS A CRITICAL DIMENSION.  
 3. MAXIMUM BURR ALLOWANCE: .0015[0.038]  
 4. MAXIMUM CUT FLASH: .010[0.25]  
 5. MINIMUM PUSHOUT FORCE: .5 LB [2.22N]  
 6. MAXIMUM ALLOWABLE BOW; TOP/BOTTOM: .006[0.15], SIDE/SIDE: .003[0.08]. Ⓢ  
 7. PARTS TO BE PACKAGED IN TAPE & REEL. FOR QTY'S LESS THAN 125 PCS, NO TRAILER OR LEADER WILL BE SUPPLIED.  
 8. LEAD FREE SOLDER BALLS



DETAIL 'G'  
 SCALE 10:1  
 SOLDER BALL REMOVED FOR CLARITY



SECTION "A"-A"

ITEM NO.	PART NUMBER	QUANTITY	MATERIAL
1	ASP-144052-01-B	1.0000	UL 94 V0, COLOR: BLACK
2	ASP-136535-01-B	1.0000	UL 94 V0, COLOR: BLACK
3	ASP-104554-02-P-H	114.00	BRASS ALLOY 260, 3/4 HARD
4	CT-ASP1134MS	.00571	CONDUCTIVE POLYMER
5	SDB-030-9653	114.00	96.5% TIN / 3% SILVER / 0.5% COPPER
6	K-850-650	1.0000	POLYIMIDE FILM

NON STANDARD		UNLESS OTHERWISE SPECIFIED, DIMENSIONS ARE IN INCHES. TOLERANCES ARE:	PROPRIETARY NOTE
COMPONENT		DECIMALS	THIS DOCUMENT CONTAINS INFORMATION CONFIDENTIAL AND PROPRIETARY TO SAMTEC, INC. AND SHALL NOT BE REPRODUCED OR TRANSFERRED TO OTHER DOCUMENTS OR DISCLOSED TO OTHERS OR USED FOR ANY PURPOSE OTHER THAN THAT WHICH IT WAS OBTAINED WITHOUT THE EXPRESSED WRITTEN CONSENT OF SAMTEC, INC.
ASSEMBLY		ANGLES	
TOOLING		.XX: ±.01	
PROCESS	X	.XXX: ±.005	
PACKAGING		.XXXX: ±.0020	
OTHER			
		DO NOT SCALE DRAWING	SHEET SCALE: 3:1
		PLATING: .000030 GOLD OVER .000050 NICKEL	
		F:\DWG\MISC\MKTG\ASP-103614-04-MKT.SLDDRW	

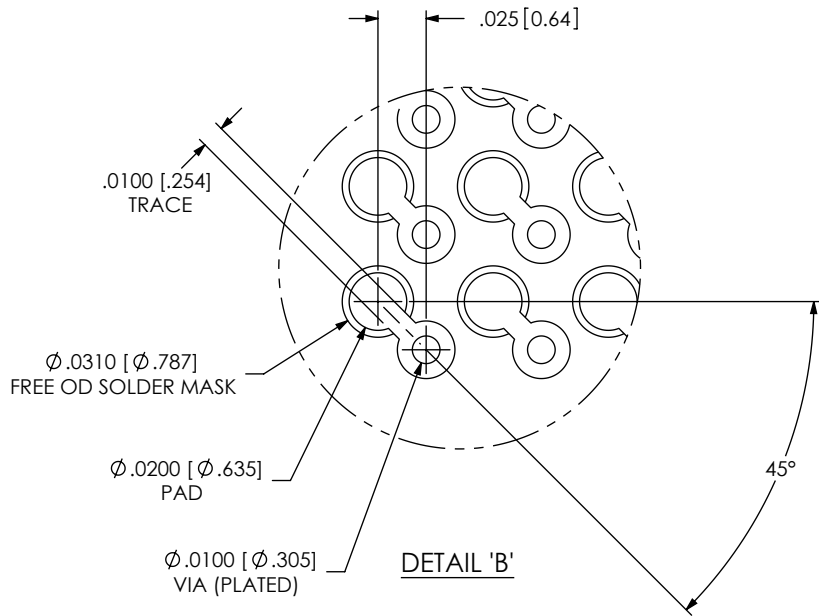
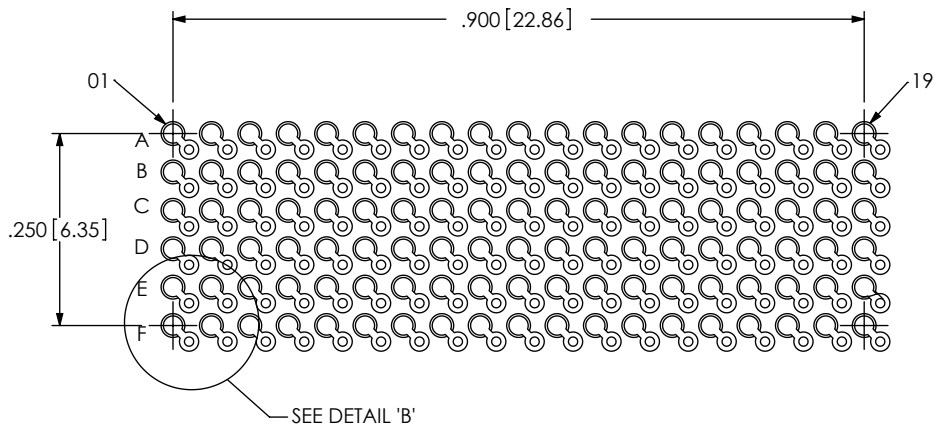
**samtec**  
 520 PARK EAST BLVD, NEW ALBANY, IN 47150  
 PHONE: 812-944-6733 FAX: 812-948-5047  
 e-Mail info@SAMTEC.com code 55322

DESCRIPTION:  
 VITA 42 (LEAD FREE) SOCKET ASSEMBLY

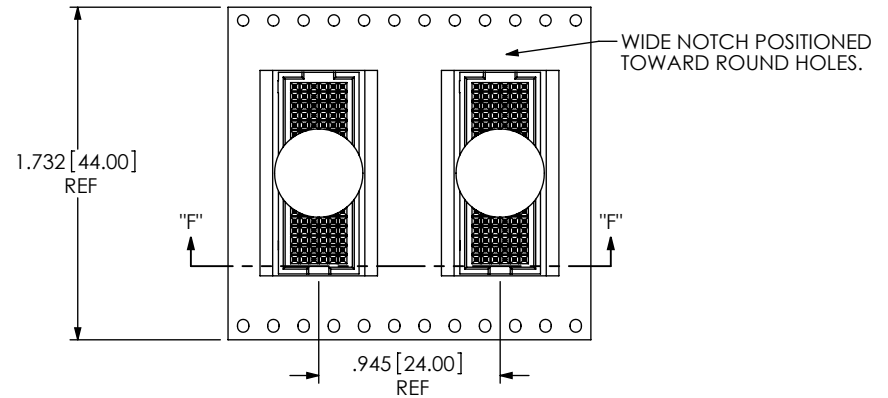
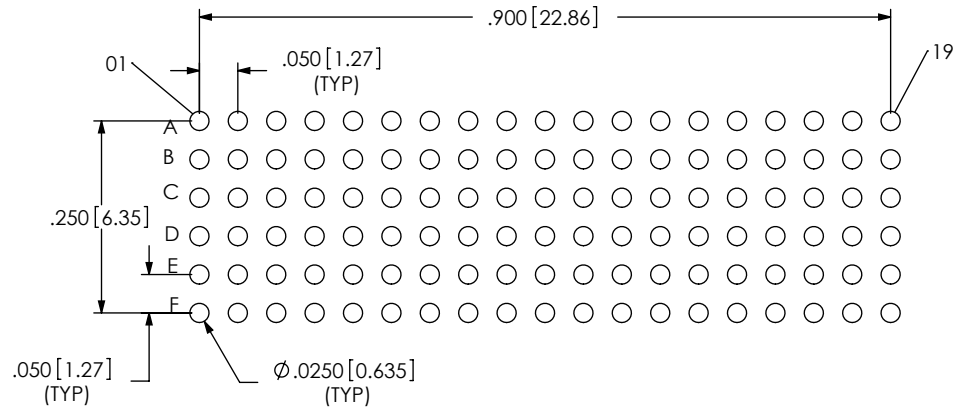
DWG. NO.  
 ASP-103614-04

BY: TAMMY W 09/11/06 SHEET 1 OF 2

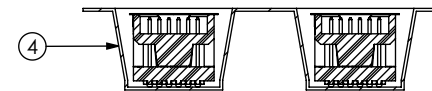
RECOMMENDED BOARD LAYOUT



RECOMMENDED STENCIL LAYOUT  
STENCIL TO BE  $.0080 [0.152]$  THICK



USER DIRECTION OF UN-REELING  
POCKET NOT DETAILED



SECTION "F"- "F"  
SCALE 1 : 1  
PACKAGING VIEW

PROPRIETARY NOTE

THIS DOCUMENT CONTAINS INFORMATION CONFIDENTIAL AND PROPRIETARY TO SAMTEC, INC. AND SHALL NOT BE REPRODUCED OR TRANSFERRED TO OTHER DOCUMENTS OR DISCLOSED TO OTHERS OR USED FOR ANY PURPOSE OTHER THAN THAT WHICH IT WAS OBTAINED WITHOUT THE EXPRESSED WRITTEN CONSENT OF SAMTEC, INC.



520 PARK EAST BLVD., NEW ALBANY, IN 47150  
PHONE: 812-944-6733 FAX: 812-948-5047  
e-Mail: info@SAMTEC.com code 55322

SHEET SCALE: 3:1

DESCRIPTION:  
VITA 42 (LEAD FREE) SOCKET ASSEMBLY

DWG. NO.  
ASP-103614-04