

PLEASE CHECK WWW.MOLEX.COM FOR LATEST PART INFORMATION

Part Number: [0191540048](#)
Status: **Active**
Description: InsulKrimp™ Butt Splice for 4 AWG Wire

Documents:

[Drawing \(PDF\)](#) [RoHS Certificate of Compliance \(PDF\)](#)
[Packaging Specification \(PDF\)](#)

General

Product Family	Splices
Series	19154
Crimp Quality Equipment	Yes
Mil-Spec	N/A
Product Name	Butt, InsulKrimp™

Physical

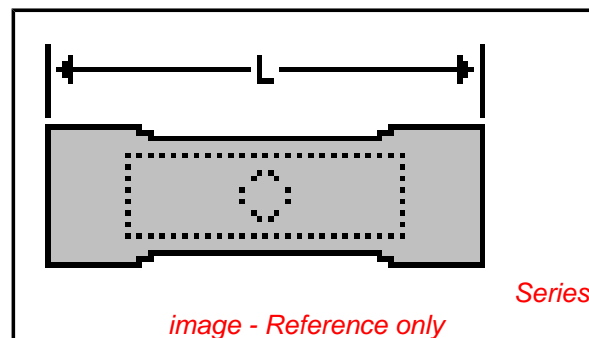
Barrel Type	Closed
Color - Resin	Natural
Insulation	PVC
Material - Resin	PVC
Packaging Type	Bag
Wire Insulation Diameter	13.10mm (.515") max.
Wire Size AWG	4

Material Info

Old Part Number	F-664X
-----------------	--------

Reference - Drawing Numbers

Sales Drawing	SD-19154-004
---------------	--------------



EU RoHS

**ELV and RoHS
Compliant**

REACH SVHC

Not Reviewed

Halogen-Free

Status

Not Reviewed

China RoHS



**Need more information on product
environmental compliance?**

Email productcompliance@molex.com
 For a multiple part number RoHS Certificate of
 Compliance, [click here](#)

Please visit the [Contact Us](#) section for any
 non-product compliance questions.

Search Parts in this Series

[19154Series](#)

Application Tooling | FAQ

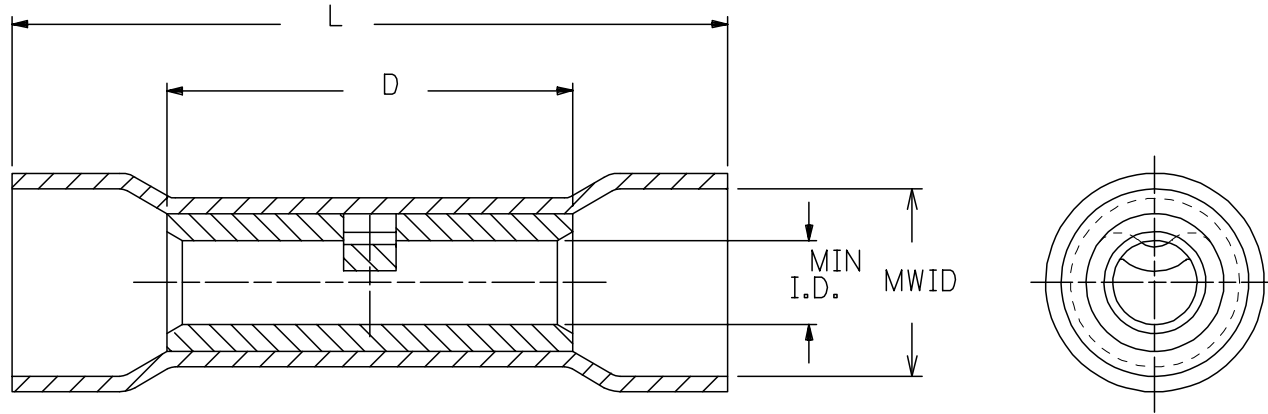
*Tooling specifications and manuals are
 found by selecting the products below.
 Crimp Height Specifications are then
 contained in the Application Tooling
 Specification document.*

Global

Description	Product #
Manual Putt Pump Hydraulic System, Die set required	0192860117
Die Set (large) for the HHLS Hydraulic Crimper	0192890007
Putt Pump Dieless Head System	0192860065
Hand Crimp Tool	0640013900

MATERIAL NUMBER	ENGINEERING NUMBER	WIRE SIZE	INSULATION COLOR	I.D. MIN.	MWID*	"D" MAX.	"L" MAX.
191540041	D-654X	8	RED	.165	.385	.864	1.510
191540045	E-662X	6	BLUE	.230	.440	1.045	1.855
191540048	F-664X	4	YELLOW	.277	.605	1.155	2.036
191540049	G-672X	2	RED	.357	.650	1.280	2.277

* MWID = MAXIMUM WIRE INSULATION DIAMETER



NOTES:

- CONNECTOR
MATERIAL: COPPER
PLATING: ELECTRO-TIN
- INSULATION
MATERIAL: PVC
COLOR: SEE CHART
- ALL COMPONENTS ARE ROHS COMPLIANT.

RERAWN & REVISED EC NO: ETC2007-0151 DRW: DRWNEHLE 2006/10/17 CHKD: JMACNEIL 2006/10/18 APPR: JMACNEIL 2006/10/18	QUALITY SYMBOLS	GENERAL TOLERANCES (UNLESS SPECIFIED)		DIMENSION STYLE INCH ONLY		SCALE ---	DESIGN UNITS INCH	THIRD ANGLE PROJECTION
	▽=0	mm	INCH	DRAWN BY	DATE	TITLE		
	▽=0	4 PLACES ± ---	± ---	RCM	1995/11/28	BUTT CONNECTOR, SEAMLESS, INSULKRIMP		
		3 PLACES ± ---	± ---	CHECKED BY	DATE			
	2 PLACES ± ---	± ---	RWD	1995/11/28	MOLEX INCORPORATED			
	1 PLACE ± ---	± ---	APPROVED BY	DATE				
	ANGULAR ± ---°		RWD	1995/11/28	MATERIAL NO.	DOCUMENT NO.	SHEET NO.	
					SEE CHART	SD-19154-004	1 OF 1	
					THIS DRAWING CONTAINS INFORMATION THAT IS PROPRIETARY TO MOLEX INCORPORATED AND SHOULD NOT BE USED WITHOUT WRITTEN PERMISSION			