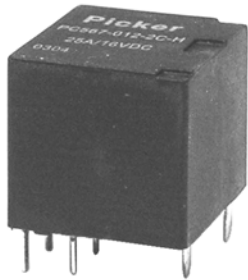


Ultraminiature Automotive PCB Twin Power Relay **PC567**



FEATURES

- Ultraminiature design very light weight
- Sensitive Coil (low pull in voltage) available
- Contact switching capacity up to 30 Amps
- Sealed, immersion cleanable
- Up to 105 degrees C operating temperature

CONTACT RATINGS

Contact Form	2 X Form A or 2 X Form C 2 X SPST NO or 2 X SPDT
Max Switching Current	30 Amps
Motor Locked Rotor	25 Amps at 14 VDC
Max. Switching Voltage	16 VDC
Max. Continuous Current	25 Amps
Max. Switching Power	480 W

CONTACT DATA

Material		AgSnO (Silver Tin Oxide)
Initial Contact Resistance		100 milliohms max @ 0.1A, 6VDC
Service Life	Mechanical	1 X 10 ⁶ Operations
	Electrical	1 X 10 ⁵ Operations

CHARACTERISTICS

Operate Time	2.5 ms. typical (no coil suppression)
Release Time	1.2 ms. typical (no coil suppression)
Insulation Resistance	100 megohms min, at 500VDC, 50%RH
Dielectric Strength	1000 Vrms, 1 min. between coil and contacts
Shock Resistance	30 g, 6 ms, functional; 100 g, destructive
Vibration Resistance	6g, 10 - 500 Hz
Drop Resistance	1 Meter height drop on concrete
Power Consumption	0.64 W and 0.80 W
Ambient Temperature Range	-40 to 85 degrees C or -40 to 105 degrees C operating
Weight	4.1 grams approx.

ORDERING INFORMATION

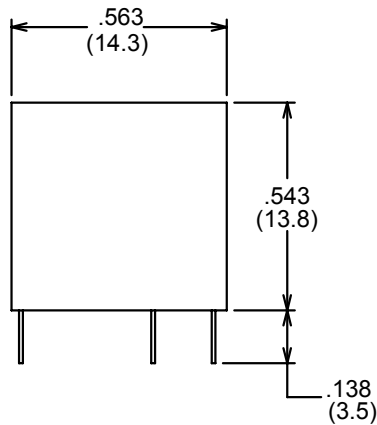
Example:	PC567	-2C	-12	H	F
Model					
Contact Form					
2A or 2C					
Coil Voltage					
Coil Power					
Nil: 0.64 W; H: Sensitive 0.80 W					
Ambient Temperature Rating					
Nil: 85 Degrees C; F: 105 Degrees C					

COIL DATA

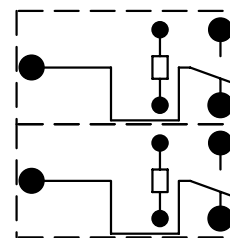
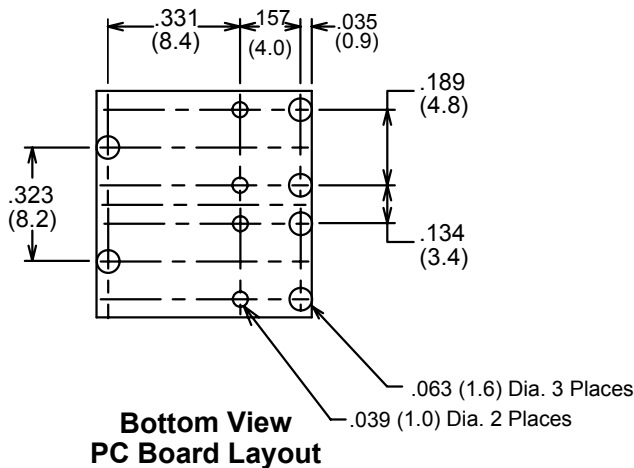
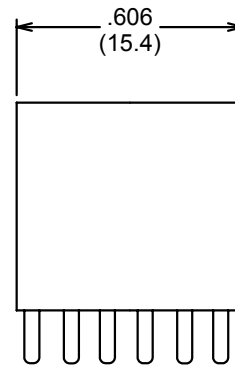
Coil Voltage	Resistance ohms \pm 10%	Must Operate Voltage Max. (VDC)	Must Release Voltage Min. (VDC)	Coil Power Consumption (W)
12	225	7.2	1.0	0.64
12 (H)	180	6.5	1.0	0.80

**Dimensions in Inches (millimeters)
Drawings are 2X actual size**

Side View



End View



Notes:
Contact Form C shown
On Contact Form A Unused Pin is Omitted
Tolerances \pm .010 unless otherwise noted



3220 Commander Drive, Suite 102, Carrollton, Texas 75006

Sales: Call Toll Free (888) 997-3933 Fax (818) 342-5296 email: pickerwest@sbcglobal.net URL: pickercomponents.com