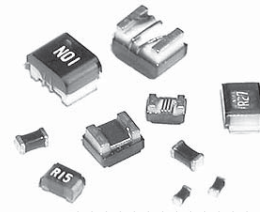


SURFACE-MOUNT WIRE-WOUND CHIP INDUCTORS

AISC-0805, 0805L, 0805F, 0805FL SERIES



FEATURES:

- Construction: Ceramic or Ferrite
- Excellent SRF
- High Frequency Design
- Excellent Q values

OPTIONS:

- Tape & Reel is standard
- Add L for no Cap, F for Ferrite Base
- Add G for Gold Plated Terminal
- Add S for Solder Plated Terminal

APPLICATIONS:

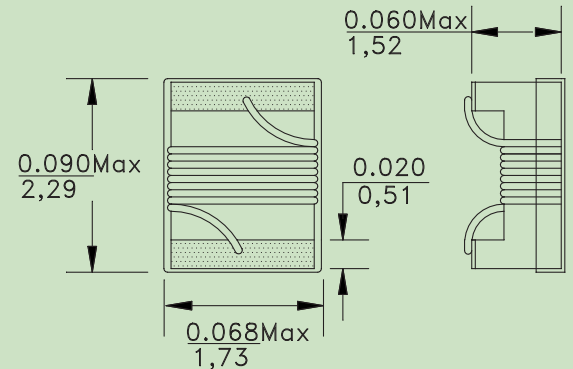
- Wireless Communications Equipment
- Networking System
- Computer Products and Peripherals

STANDARD SPECIFICATIONS:

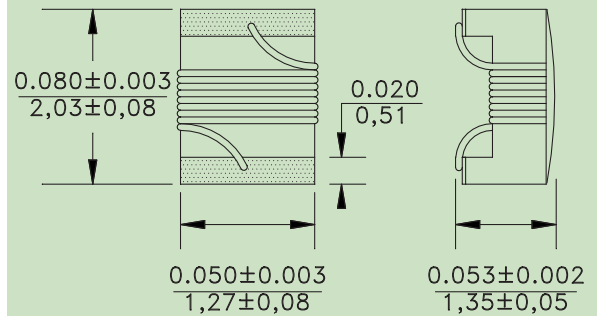
Part Number* AISC-0805(L)	L (nH)	Q Min	L _{Test} Freq (MHz)	Q Test Freq (MHz)	SRF Min (MHz)	R _{DC} Max (Ω)	I _{DC} Max (mA)
R0022M	2.2	40	250	1500	>8000	0.10	600
R0027M	2.7	40	250	1500	>8000	0.05	600
R0033M	3.3	30	250	1500	>8000	0.08	600
R0047M	4.7	60	250	1500	>6000	0.04	600
R0056M	5.6	50	250	1000	5500	0.10	600
R0068M	6.8	50	250	1000	5000	0.14	600
R0082M	8.2	50	250	1000	4800	0.19	600
R010M	10	50	250	500	4500	0.14	600
R012M	12	50	250	500	4100	0.15	600
R015M	15	50	250	500	2900	0.17	600
R018M	18	50	250	500	3300	0.20	600
R022M	22	55	250	500	2600	0.22	500
R027M	27	60	250	500	2500	0.25	500
R033K	33	60	250	500	2200	0.27	500
R039K	39	60	250	500	2100	0.29	500
R047K	47	60	200	500	1750	0.31	500
R056K	56	60	200	500	1650	0.32	500
R068K	68	60	200	500	1500	0.38	500
R082K	82	60	150	500	1400	0.42	400
R10K	100	60	150	500	1200	0.46	400
R12K	120	50	150	250	1200	0.51	400
R15K	150	50	100	250	1000	0.56	400
R18K	180	50	100	250	950	0.64	400
R22K	220	45	100	250	850	0.70	400
R27K	270	40	100	250	680	1.00	350
R33K	330	40	100	250	660	1.40	310
R39K	390	35	100	250	560	1.50	290
R47K	470	33	50	100	430	1.72	250
R56K	560	23	25	50	350	1.90	230
R62K	620	23	25	50	330	1.95	200
R68K	680	23	25	50	300	2.05	190
R75K	750	23	25	50	280	2.10	180
R82K	820	23	25	50	250	2.30	180
R91K	910	22	25	50	230	2.40	160
1R0K	1000	20	25	50	200	2.50	150

PHYSICAL CHARACTERISTICS:

Standard Dimension: With Cap



L Dimension: Without Cap



Dimension: inch/mm

Part Number* AISC-0805F(L)	L (nH)	Q Min	L _{Test} Freq (MHz)	Q Test Freq (MHz)	SRF Min (MHz)	R _{DC} Max (Ω)	I _{DC} Max (mA)
R27K	270	30	100	100	850	0.50	420
R33K	330	35	100	100	630	0.60	400
R39K	390	35	100	100	580	0.66	350
R47K	470	35	100	100	530	0.72	300
R56K	560	35	25	100	520	0.81	280
R68K	680	30	25	100	360	0.86	250
R82K	820	30	25	100	300	0.92	240
R91K	910	28	25	100	280	0.98	240
1R0K	1000	26	7.9	25	260	1.08	250
1R2K	1200	26	7.9	25	210	1.13	220
1R5K	1500	25	7.9	25	200	1.73	200
1R8K	1800	23	7.9	25	160	2.15	180
2R2K	2200	22	7.9	25	150	2.40	130
2R7K	2700	10	7.9	7.9	220	2.75	120
3R3K	3300	10	7.9	7.9	190	2.95	100

TECHNICAL INFORMATION:

- Ordering Code: AISC-0805(F)(L)-XXX(Value)
-(S)(J)(K)-(G)(S)(T)
 - F = ferrite base, L = without cap
 - (G)(S)(T): G=Gold Plated, S=Solder Plated,
T= Tape and Reel
 - Tolerance: S=±0.3nH, G=±2%, J=±5%, K=±10%
 - Check SCD for detail available tolerance
 - Letter suffix indicates standard tolerance
 - Operating Temperature: -40°C to +125°C
- Note:** All specifications subject to change without notice.