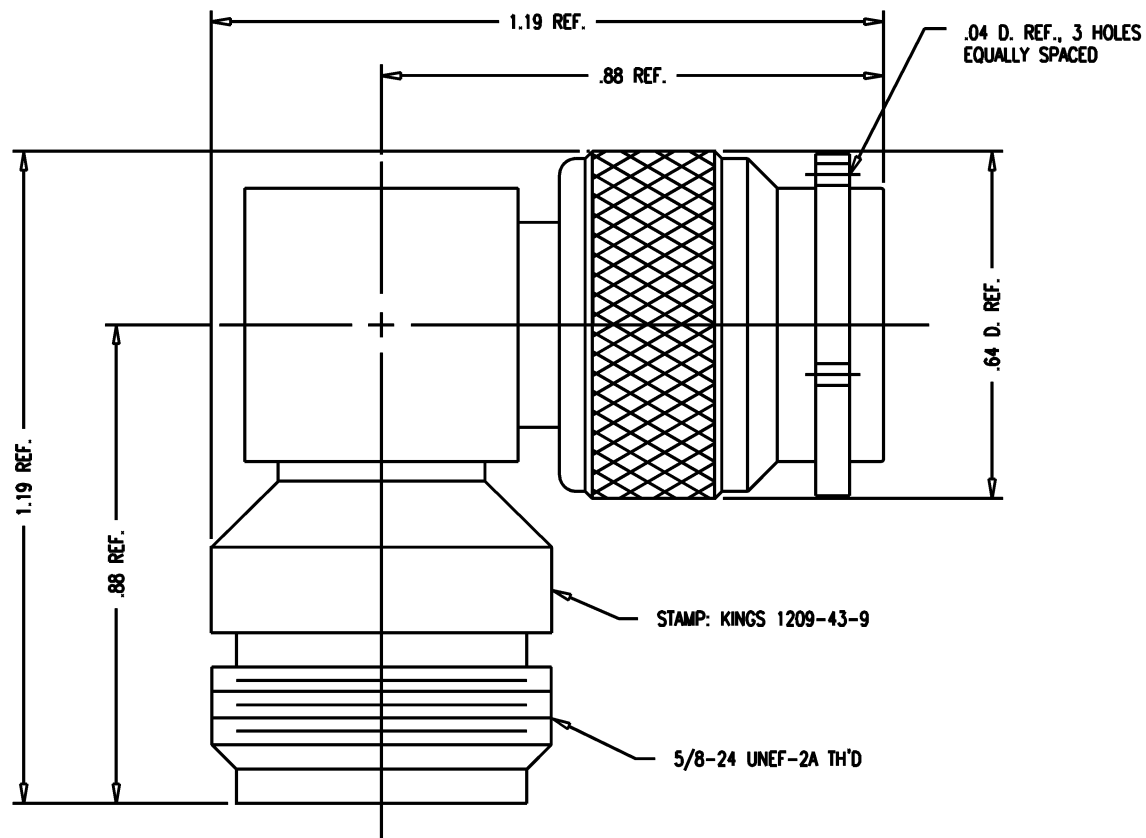


DASH NO.	M CODE	MADE FROM
----------	--------	-----------

# GSD

1209-43-9



### REVISIONS

ISSUE	CHANGES
0	ER 31145 KH 09/19/89
1	CN 38226 C BDH 02/26/01

KAM3653

SCALE 4:1

APPROX SURFACE AREA

USED ON

REF: BOEING

ADAPTER, F-M, ANGLE, N-TNC

DRAWN KH DATE 04/13/94

DESIGN MJB DATE 04/14/94

APPR. DATE

**KINGS**  
ELECTRONICS CO., INC.  
ROCK HILL, SOUTH CAROLINA 29730

1209-43-9

#### NOTES:

1. INTERFACE PER MIL-STD-348, FIG. 304-2 AND FIG. 313.1.

2. MATERIALS:

INSULATORS: TEFLON, ASTM-D-4894  
 C-RINGS: PHOSPHOR BRONZE, QQ-B-750  
 GASKET: SILICONE RUBBER, ZZ-R-765  
 ANG. CONTACT (F) } BER. COPPER, ASTM-B-196  
 OUTER CONTACT }  
 ALL OTHER METAL PARTS: BRASS, QQ-B-626

3. FINISHES:

CENTER CONTACTS: HARD GOLD PLATE, PER MIL-G-45204  
 ALL OTHER METAL PARTS: KINGS TARNISH RESISTANT FINISH (TR-5)

4. ELECTRICAL CHARACTERISTICS:

NOMINAL IMPEDANCE: 50 OHMS  
 WORKING VOLTAGE: 500 VRMS  
 FREQUENCY RANGE: DC TO 11 GHz.

# GSD