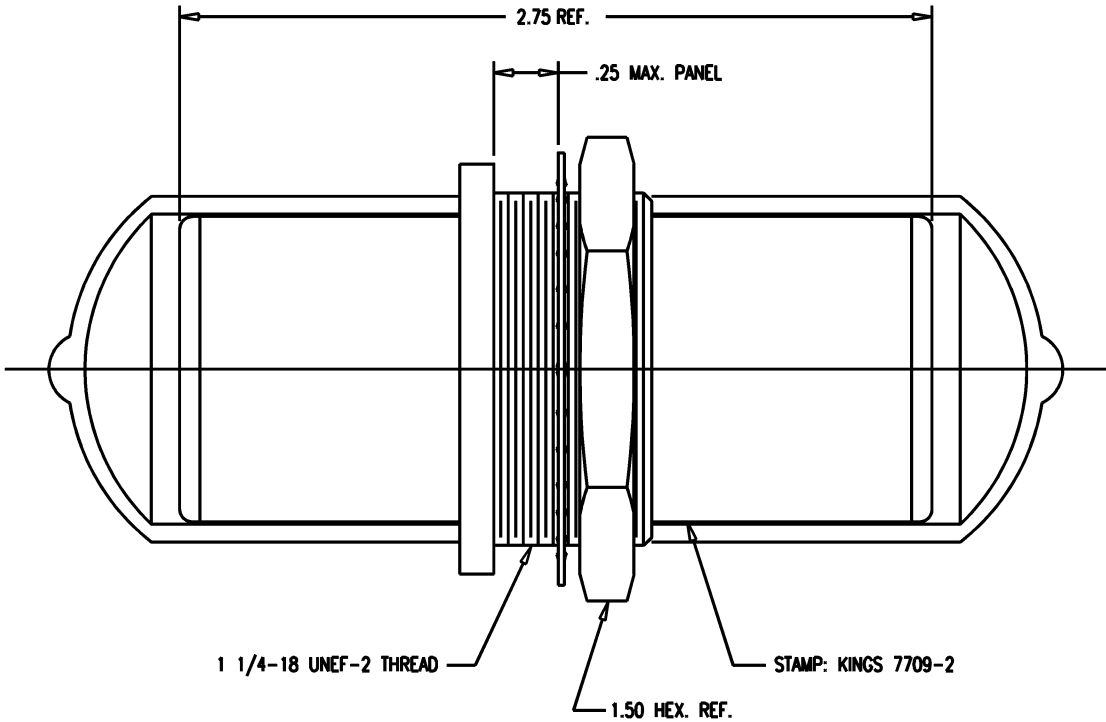


SD

7709-2



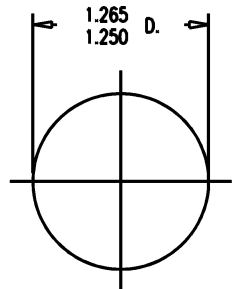
REVISIONS	
ISSUE	CHANGES
0	ER 36669 ME 10/31/95
1	CN 36754 A ME 12/22/95
2	CN 37374 D PG 03/12/97

QGS1003

SCALE 2:1	
APPROX SURFACE AREA	
USED ON	
REF: KP-8040-007-000	
ADPT, F-F, BKHD, TRI-LOC SERIAL DIGITAL	
DRAWN ME	DATE 10/31/95
DESIGN FD	DATE 10/31/95
APPR.	DATE

NOTES:

- MATERIALS:
  - INSULATORS: TEFLON, ASTM-D-4894
  - CAP: VINYL
  - OUTER CONTACT SPRING } BER. COPPER, ASTM-B-196
  - CENTER CONTACT }
  - INSERT }
  - LOCKWASHER: PHOS. BRONZE, ASTM-B-103
  - ALL OTHER METAL PARTS: BRASS, ASTM-B16
- FINISHES:
  - OUTER CONTACT SPRING } GOLD PLATE PER MIL-G-45204
  - CENTER CONTACT }
  - ALL OTHER METAL PARTS: KINGS TARNISH RESISTANT NICKEL FINISH (TR-5)
- ELECTRICAL CHARACTERISTICS:
  - NOMINAL IMPEDANCE: 75 OHMS
  - FREQUENCY RANGE: DC-500 MHz
  - VOLTAGE BREAKDOWN: CENTER CONDUCTOR/INNER GROUND: 1500 VOLTS RMS
  - INNER GROUND/OUTER GROUND: 500 VOLTS RMS



MOUNTING HOLE

SD

**KINGS**  
ELECTRONICS CO., INC.  
TUCKAHOE, NEW YORK 10707

7709-2