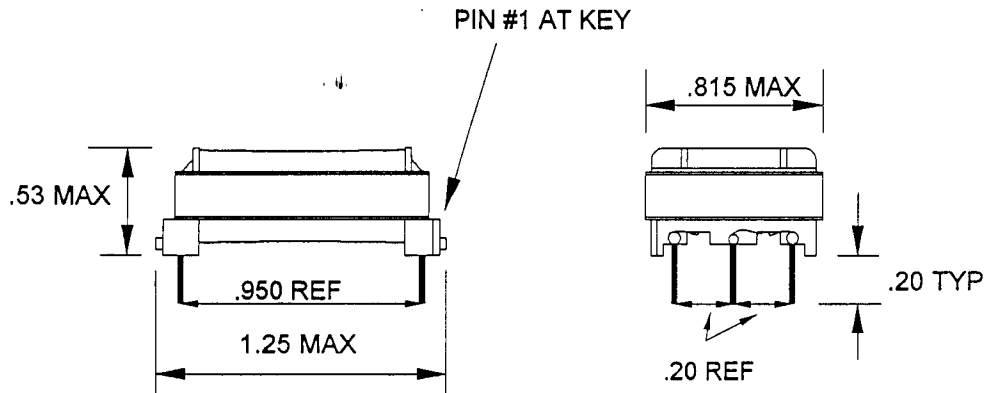


TY-403P.DC2



PRODUCTION TESTS

URNS RATIO: 100%

DC	1-6: 80
RESISTANCE	2-5: 56
IN OHMS	3-4: 56
NOM	

APPLY: 1V / 300 HZ .090 ADC 1-6

INDUCTANCE: 200 mHY MIN (PARALLEL MODE)

HIPOT: 1500V P-S,C S-C

IMPREGNATION NOTES:

FINAL ASSEMBLY NOTES

M MagneTek

METHOD

BUTT W/ .003" GAP (OUTER LEGS)

MARKING

PART NO. , DATECODE, SITECODE ON CORE

PART NO. TY-403P