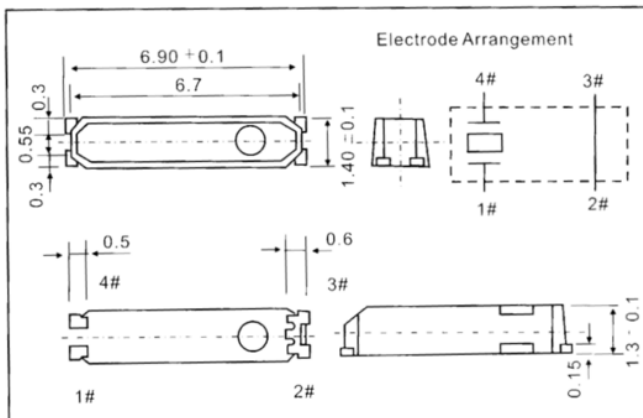


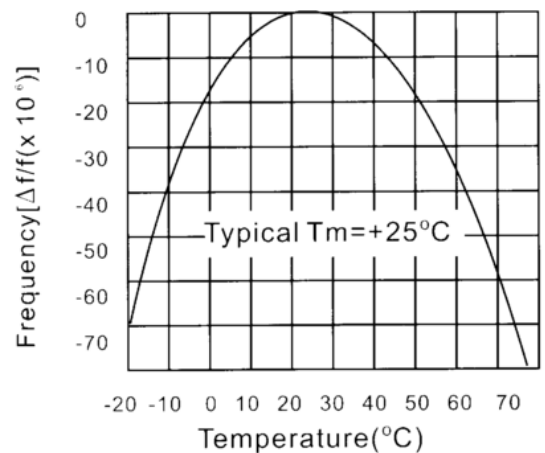
Electrical Specifications:

ITEM	Specification
Nominal Frequency	32.768KHz
Storage Temperature Range	-55C to +125C
Operating Temperature Range	-40C to +85C
Frequency tolerance	+/-20 ppm
Resonance Resistance(R)	65K max.
Load Capacitance(CL)	12.5pF
Shunt Capacitance (Co)	0.8 pF TYP
Motional capacitance(c ₁)	1.9 fF TYP
Drive Level	1 uW max
Aging	+/-3ppm/year @25C
Insulation Resistance	500M min at DC 100V

● Dimensions:(unit=mm)



Tuning fork crystal units



● Recommended soldering pattern:(unit=mm)

