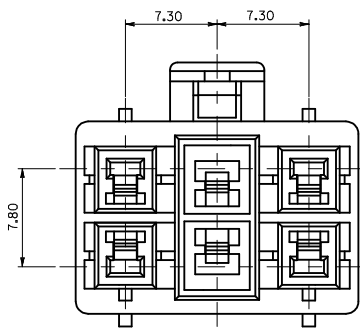
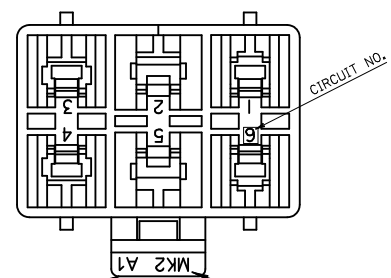


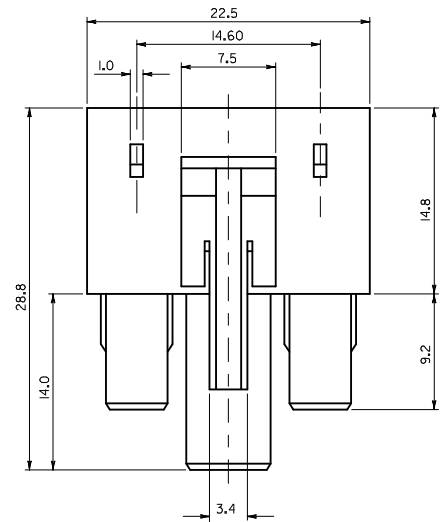
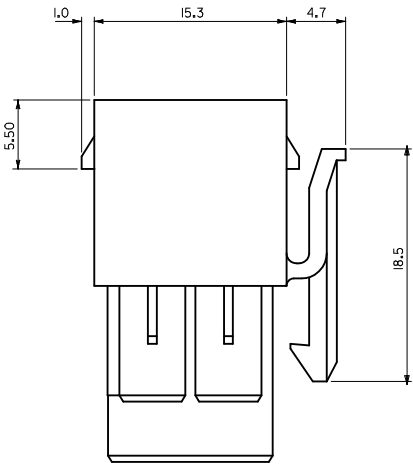
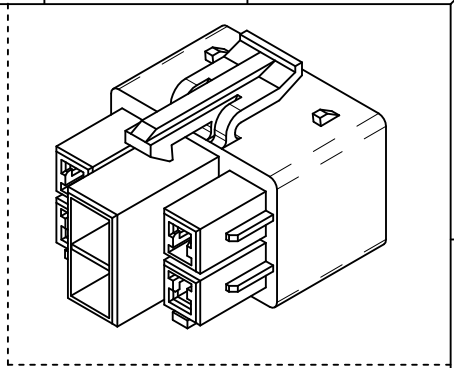
10 9 8 7 6 5 4 3 2 1



VIEW A\*



© TOOL & CAVITY NO (TOOL:A.B. CAV:1.2.) TRADE MARK (MK2)



NOTES

- 1. MATERIAL AND COLOR : SEE "[TABLE]"
- 2. MATED HOUSING : 35150-60\*/35150-61\*  
35150-039\* (TPA)
- 3. APPLICABLE TERMINAL : 35745-\*\*\*\* (2,5 CIRCUIT)  
35746-\*\*\*\* (3,4 CIRCUIT)  
©35748-\*\*\*\* (1,6 CIRCUIT)

No.	PRODUCT	MATERIAL
1	35151-0610 NATURAL	POLYESTER PBT (UL94V-0)
2	35151-0612 RED	
3	35151-0614 BLUE	
4	35151-0619 NATURAL	PC/PET (UL94V-0)
5	35151-3619 YELLOW	
6	35151-4619 BLUE	

REVISED EC NO: KOR2010-0093 DRWN: JHPARK01 2009/12/22 CHKD: WY YANG 2009/12/22 APPR: YUNSIKKIM 2009/12/22	DESCRIPTION REV	QUALITY SYMBOLS	GENERAL TOLERANCES (UNLESS SPECIFIED)	DIMENSION STYLE	SCALE	DESIGN UNITS	THIRD ANGLE PROJECTION	
		▽=0 ∇=0	mm    INCH 4 PLACES ± --- ± --- 3 PLACES ± --- ± --- 2 PLACES ± 0.15 ± --- 1 PLACE ± 0.20 ± --- ANGULAR ±1/2°	MM ONLY	1:1	METRIC		
			DRAFT WHERE APPLICABLE MUST REMAIN WITHIN DIMENSIONS	DRAWN BY: WY.YANG    DATE: 1992/09/14 CHECKED BY: BK.CHOI    DATE: 1992/09/14 APPROVED BY:    DATE:	TITLE	7.3 PITCH W/W FEMALE HOUSING-6P		
				MATERIAL NO.    DOCUMENT NO.    SHEET NO.	MOLEX INCORPORATED			1 OF 01

9 8 7 6 5 4 3 2 1