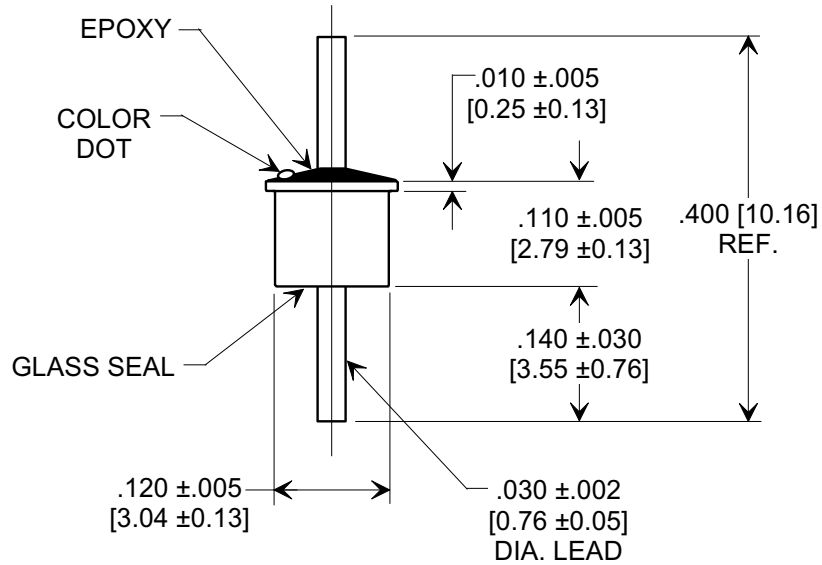
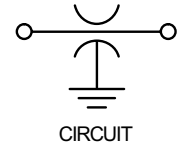
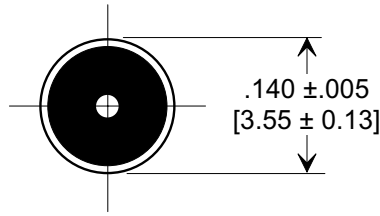


**MARKETING SALES DRAWING**  
 DIMENSIONS IN INCHES - DO NOT SCALE THIS DRAWING  
 DIMENSIONS IN METRIC - [ ]

Electrical Testing  
 per Tusonix standard  
 test plans and Mil-Std-202  
 Test Methods.



**NOTES:**

- Operating temperature range: -55°C to +125°C.
- Gold plated case and lead.
- Epoxy sealed on opposite end from glass seal.
- Max. recommended soldering temperature: 260°C.  
See installation recommendations.
- Tusonix Standard part number: 4305-010.  
Tusonix RoHS compliant part number: 4305-010 LF.  
Customer must specify Standard or RoHS part number when ordering.
- RoHS compliant part marked with additional dark green dot for identification.

Cx (pF)	TOL.	DC WORKING VOLTAGE		DC CURRENT (AMPS)	I.R. MIN.	D.W.V.	MIN. NO LOAD INSERTION LOSS (dB) @ 25° C PER MIL-STD-220					COLOR CODE
		85°C	125°C				1 MHz	10 MHz	100 MHz	1GHz	10 GHz	
10,000	-0% +100%	70	50	5	10 G	150 VDC	4	21	35	50	60	BLACK

X-2015 Rev-0 <b>REVISION RECORD</b> Original Release C.O. 20030110-5-16 TOL. WAS GMV. S.M. 03-05-03 20030305-1-13 ADDED NOTES 5 & 6. S.M. 06-01-05 20050513-4-59	0	--TOLERANCES-- Unless Otherwise Specified DECIMAL ±	Title	
	1		<b>SOLDER MOUNT EMI FILTER</b>	
	2	ANGLES ±	Drawn S.M. 01-28-03	Scale 5 X
	<b>TUSONIX</b> TUCSON, ARIZONA		Approved T.C. 01-28-03	<b>A</b>