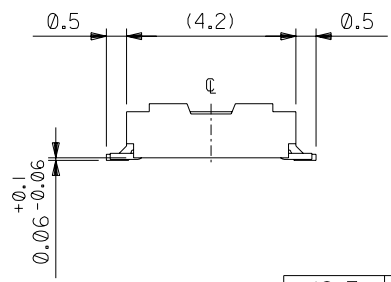
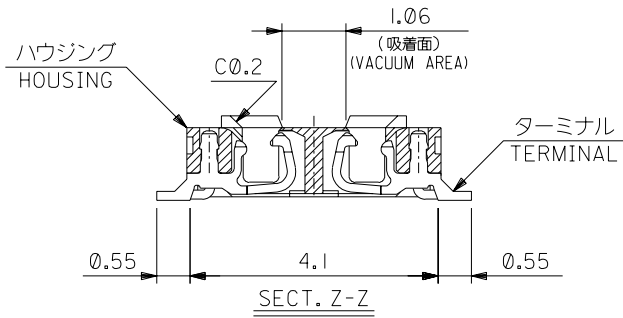
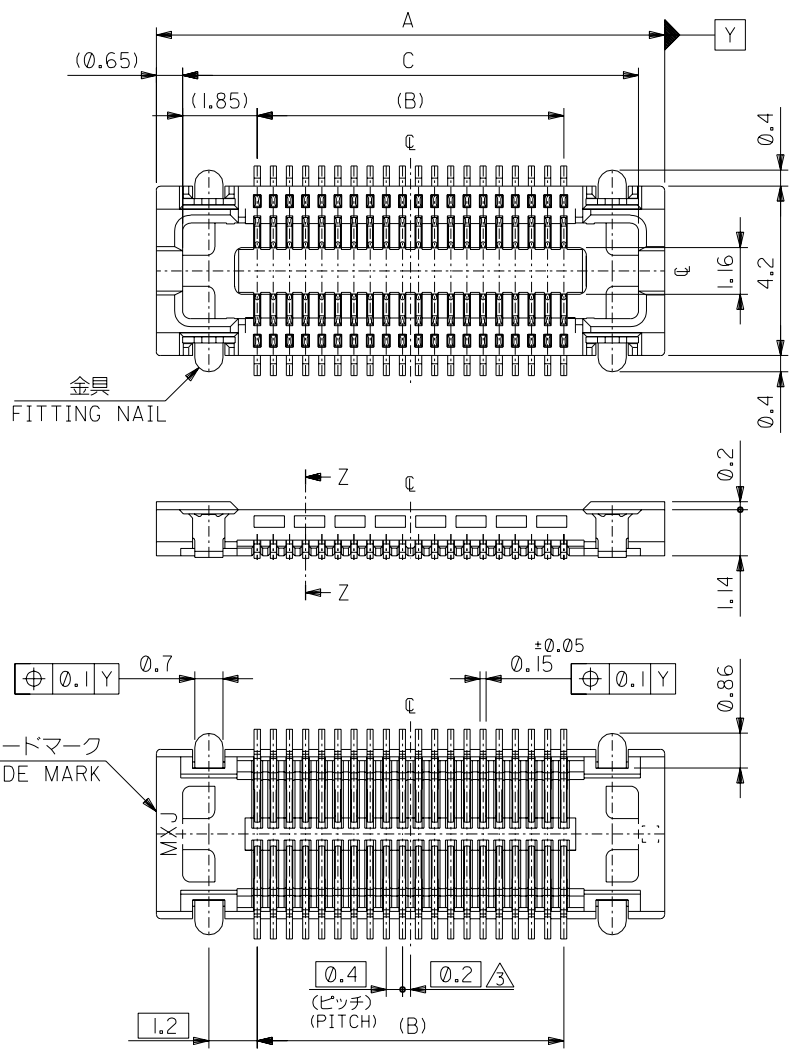


DWG. NO. SD-54765-030

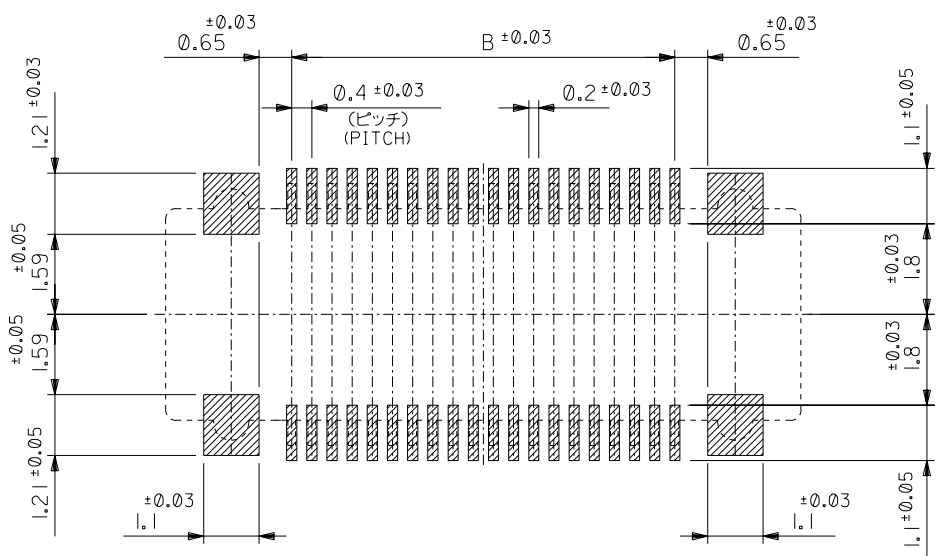


19.3	15.6	20.6	54765-8009	80
17.3	13.6	18.6	-7009	70
14.1	10.4	15.4	-5409	54
13.3	9.6	14.6	-5009	50
12.5	8.8	13.8	-4609	46
12.1	8.4	13.4	-4409	44
11.3	7.6	12.6	-4009	40
9.3	5.6	10.6	-3009	30
8.1	4.4	9.4	-2409	24
7.7	4.0	9.0	54765-2209	22
C	B	A	MATERIAL NO.	CIRCUIT

DO NOT SCALE DRAWING

EC NO. DRWN: CHK: APPR:	EC NO. DRWN: CHK: APPR:	EC NO. DRWN: CHK: APPR:	EC NO. DRWN: CHK: APPR:	EC NO. DRWN: CHK: APPR:	RELEASED '04/02/19 EC NO. J2004-2532 DRWN: M.NINOMIYA CHK: K.TOJO APPR: M.SASAO	MATERIAL 材料 FINISH 仕上げ WIRE RANGE 適用電線範囲 INS. RANGE 被覆外径	DESCRIPTION // // //	GENERAL TOLERANCES: (UNLESS SPECIFIED) 一般公差 10 UNDER 未滿 ±0.2 10 OVER 30 UNDER 未滿 ±0.25 30 OVER 以上 ±0.3 ANGLE 角度 ±3°	SCALE // DESIGN UNITS mm INCH THIRD ANGLE PROJECTION DRAWN BY & DATE M.NINOMIYA '04/02/19 CHECKED BY & DATE K.TOJO '04/02/19 APPROVED BY & DATE M.SASAO '04/02/19 CAD FILENAME SD-54765-030.S01	54765-***9 DIMENSIONS: mm INCH mm ONLY TITLE: 0.4 B-To-B Rec Hsg Assy WITH GUIDE (Hgt=1.5) [Ni Barrier] -LEAD FREE- MOLEX INCORPORATED	SHT REVISE ON CAD ONLY	REV
8	7	6	5	4	3	2	1	1 OF 2	SIZE B			

DWG. NO. SD-54765-030



参考基板レイアウト (マウント面)
P.C.BOARD PATTERN DIMENSION (REFERENCE)
(MOUNTING AREA)

注記 NOTES

- 使用材料 MATERIAL
ハウジング:液晶ポリマー ガラス充填 UL94V-0 (黒)
HOUSING: LIQUID CRYSTAL POLYMER (GLASS FILLED)
UL94V-0 (COLOR:BLACK)
ターミナル:リン青銅 (t=0.15)
TERMINAL: PHOSPHOR BRONZE (t=0.15)
金具:リン青銅 (t=0.15)
FITTING NAIL: PHOSPHOR BRONZE (t=0.15)
- メッキ仕様 PLATING
ターミナル TERMINAL
金メッキ 0.25マイクロメートル以上 (コンタクト部)
GOLD 0.25MICROMETER MINIMUM (CONTACT AREA)
金メッキ 0.4マイクロメートル以下 (テール部)
GOLD 0.4MICROMETER MAXIMUM (TAIL AREA)
下地メッキ:ニッケルメッキ 1.5マイクロメートル以上
UNDER PLATING: NICKEL 1.5MICROMETER MINIMUM
*コンタクト部とテール部はニッケルメッキによって分断されている金メッキです。
DIVIDE INTO PARTS THE GOLD PLATING OF THE CONTACT PART AND THE TAIL PART BY THE NICKEL PLATING.
- 金具 FITTING NAIL
錫メッキ 1マイクロメートル以上
Sn 1 MICROMETER MINIMUM
下地メッキ:ニッケルメッキ 1マイクロメートル以上
UNDER PLATING: NICKEL 1 MICROMETER MINIMUM
- (全極数/2) = 偶数の場合に適用。
APPLY FOR (CIRCUIT/2) = EVEN
- 嵌合相手: 55604 シリーズ。
MATE WITH: 55604 SERIES.
- テール平坦度は、0.08以下
テール及び金具の平坦度は、0.1以下
TAIL COPLANARITY TO BE 0.08 MAXIMUM.
TAIL AND FITTING NAIL
COPLANARITY TO BE 0.1 MAXIMUM.
- 本製品は 54765-***3 の鉛フリー品である。
THIS PRODUCT IS LEAD FREE OF 54765-***3.

DO NOT SCALE DRAWING

EC NO. DRWN: CHK: APPR:	EC NO. DRWN: CHK: APPR:	EC NO. DRWN: CHK: APPR:	EC NO. DRWN: CHK: APPR:	EC NO. DRWN: CHK: APPR:	RELEASED '04/02/19 EC NO. J2004-2532 DRWN: M.NINOMIYA CHK: K.TOJO APPR: M.SASAO	MATERIAL 材料 注記参照 SEE NOTES	GENERAL TOLERANCES: (UNLESS SPECIFIED) 一般公差	SCALE —/—	DESIGN UNITS <input checked="" type="checkbox"/> mm <input type="checkbox"/> INCH	MODEL NO. 54765-***9	DIMENSIONS: <input type="checkbox"/> mm <input type="checkbox"/> INCH <input checked="" type="checkbox"/> mm ONLY	SHT REV
						FINISH 仕上げ //	10 UNDER 未満 ±0.2	DRAWN BY & DATE M.NINOMIYA '04/02/19	THIRD ANGLE PROJECTION	TITLE: 0.4 B-To-B Rec Hsg Assy WITH GUIDE (Hgt=1.5) [Ni Barrier] -LEAD FREE-		
						WIRE RANGE 適用電線範囲 //	10 OVER 30 UNDER 未満 ±0.25	CHECKED BY & DATE K.TOJO '04/02/19				
						INS. RANGE 被覆外径 //	30 OVER 以上 ±0.3	APPROVED BY & DATE M.SASAO '04/02/19				
							ANGLE 角度 ±3°	CAD FILENAME SD-54765-030.S02				
								MATERIAL NO. SEE CHART				
								DRAWING NO. SD-54765-030				
								SHEET NO. 2 OF 2				
								THIS DRAWING CONTAINS INFORMATION THAT IS PROPRIETARY TO MOLEX INCORPORATED AND SHOULD NOT BE USED WITHOUT WRITTEN PERMISSION.				
												SIZE B

SD-54765-030.S02

DWG. NO. SD-54765-031

8 7 6 5 4 3 2 1

F

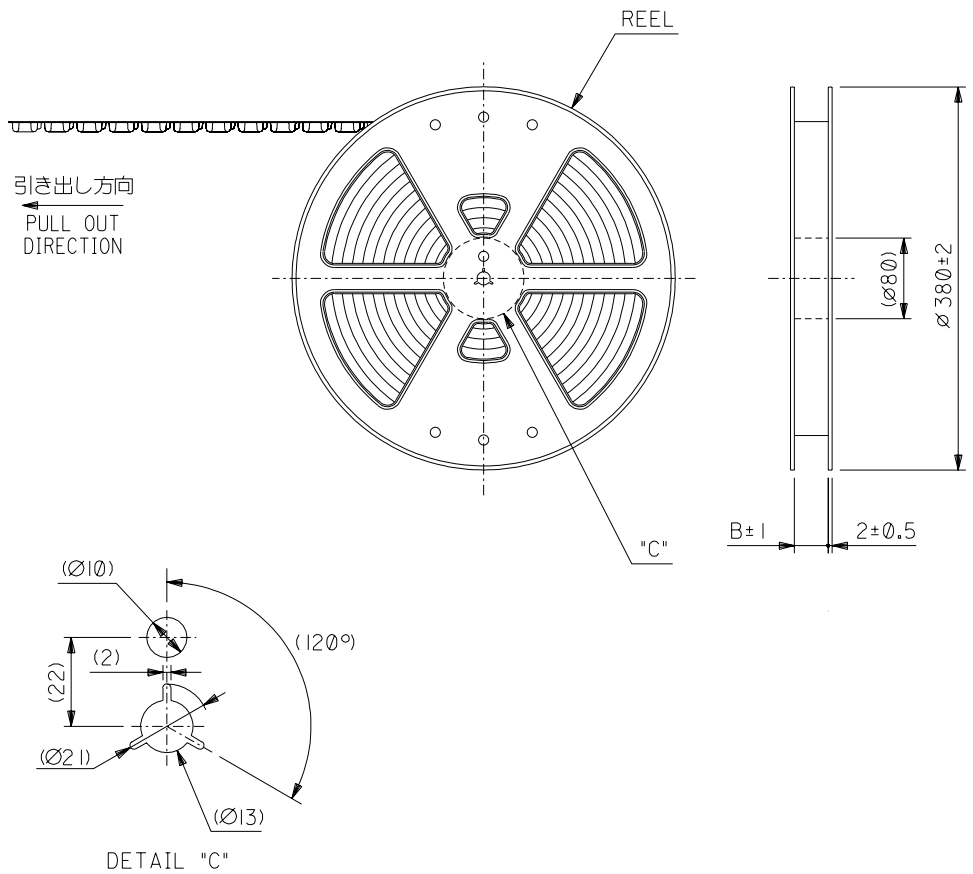
D

V

C

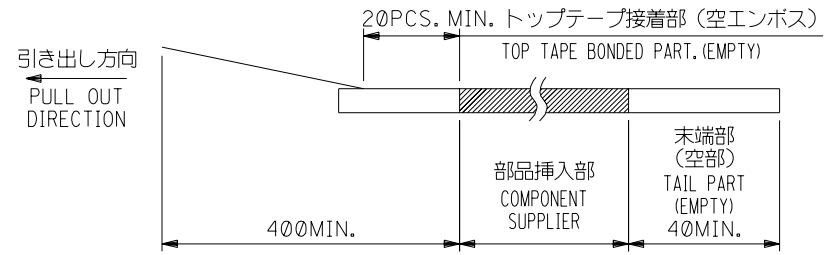
B

DO NOT SCALE DRAWING

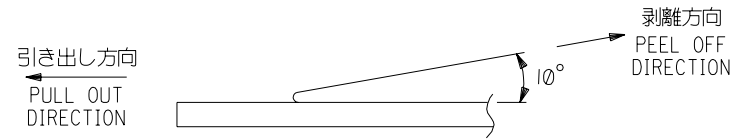


注記 NOTES

- 製品詳細寸法については図面 SD-54765-026 を参照下さい。
RE DETAILED DIMENSION, SEE SD-54765-026
- 梱包数量：2500個/リール
NUMBER OF CONNECTORS : 2500PCS/REEL
- リードテープ長さ LEAD TAPE LENGTH



- トップテープの剥離強度：0.1N ~ 1.3N(10gf ~ 130gf)
(剥離方向は下図参照)
尚、本規格値は出荷時に適用。(但し、輸送時に剥離が発生しないこと。)
PEELING OFF FORCE OF TOP TAPE : 0.1N ~ 1.3N(10gf ~ 130gf)
(PEELING DIRECTION AS SHOWN IN FOLLOWING FIG.)
THIS REQUIREMENT SHOULD BE APPLIED AT SHIPMENT.
PEEL OFF SHOULD NOT BE ALLOWED , DURING TRANSPORTATION.



- 材料 MATERIAL
キャリアテープ (CARRIER TAPE) : ポリプロピレン (POLYPROPYLENE)
トップテープ (TOPTAPE) : PET , PE , PEF
リール (REEL) : ポリスチレン (PS) <リサイクル材を含む>
POLYSTYRENE (PS) <RECYCLE MATERIAL CONTAINED>
- 本製品は 54765-***4 の鉛フリー品である。
THIS PRODUCT IS LEAD FREE OF 54765-***4.

EC NO. DRWN: CHK: APPR:		EC NO. DRWN: CHK: APPR:		EC NO. DRWN: CHK: APPR:		EC NO. DRWN: CHK: APPR:		RELEASED '04/02/19 EC NO. J2004-2532 DRWN: MINOMIYA CHK: K.TOJO APPR: M.SASAO		MATERIAL 材料 注記参照 SEE NOTES		GENERAL TOLERANCES: (UNLESS SPECIFIED) 一般公差		SCALE //		DESIGN UNITS <input checked="" type="checkbox"/> mm <input type="checkbox"/> INCH		MODEL NO. 54765-***0 DIMENSIONS: <input type="checkbox"/> mm <input type="checkbox"/> INCH <input checked="" type="checkbox"/> mm ONLY		SHT REV			
								FINISH 仕上げ //		WIRE RANGE 適用電線範囲 //		10 UNDER 未満 ±0.2 M.NINOMIYA '04/02/19		10 OVER 以上 30 UNDER 未満 ±0.25 K.TOJO '04/02/19		DRAWN BY & DATE M.NINOMIYA '04/02/19		TITLE: 0.4 B-To-B Rec Assy W/Gde (Hgt=1.5) [Ni Barrier] Embstp Pkg -LEAD FREE-		APPROVED BY & DATE M.SASAO '04/02/19		MOLEX INCORPORATED	
								INS. RANGE 被覆外径 //		30 OVER 以上 ±0.3		ANGLE 角度 ±3°		CAD FILENAME SD-54765-031.S01		MATERIAL NO. SEE CHART		DRAWING NO. SD-54765-031		SHEET NO. 1 OF 3			
																		THIS DRAWING CONTAINS INFORMATION THAT IS PROPRIETARY TO MOLEX INCORPORATED AND SHOULD NOT BE USED WITHOUT WRITTEN PERMISSION.		SIZE B			

8 7 6 5 4 3 2 1 EN-02J(097) MXJ-54

F

E

D

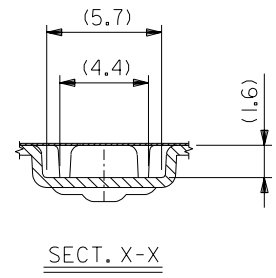
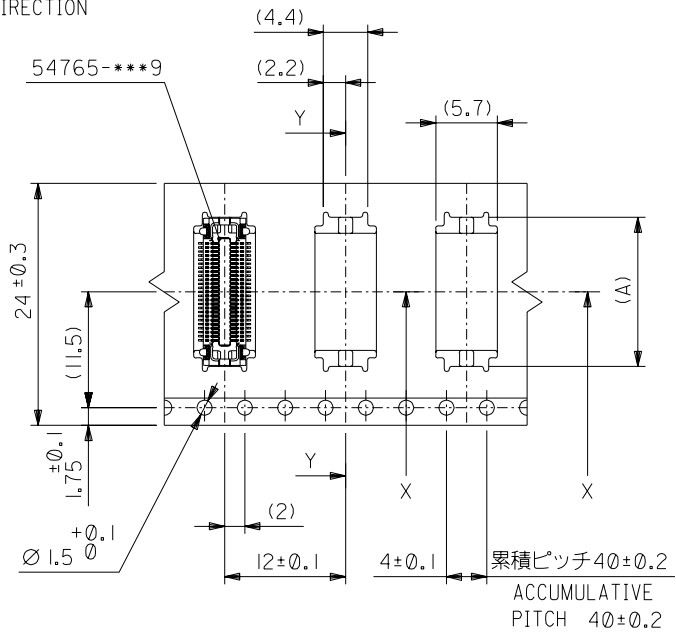
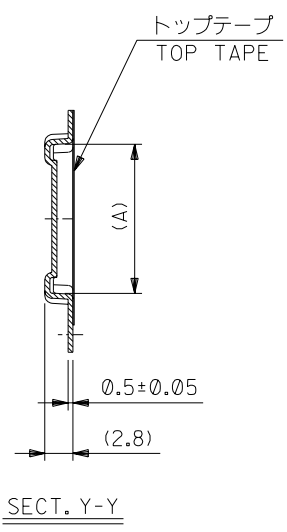
C

B

A SD-54765-031.S01

8 7 6 5 4 3 2 1

引き出し方向
PULL OUT
DIRECTION



24mm幅キャリアテープ
24mm WIDTH CARRIER TAPE

24	25.5	15.6	54765-5470	54	
		14.8	54765-5070	50	
		14.0	54765-4670	46	
		13.6	54765-4470	44	
		12.8	54765-4070	40	
		10.8	54765-3070	30	
		9.6	54765-2470	24	
9.2	54765-2270	22			
キャリアテープ幅 CARRIER TAPE WIDTH		B	(A)	MATERIAL NO.	極数 CIRCUIT

EC NO. DRWN: CHK: APPR:	EC NO. DRWN: CHK: APPR:	EC NO. DRWN: CHK: APPR:	EC NO. DRWN: CHK: APPR:
RELEASED '04/02/19	EC NO. J2004-2532	DRWN: M.NINOMIYA	CHK: K.TOJO
	APPR: M.SASAO		

MATERIAL 材料	注記参照 SEE NOTES
FINISH 仕上げ	//
WIRE RANGE 適用電線範囲	//
INS. RANGE 被覆外径	//

GENERAL TOLERANCES: (UNLESS SPECIFIED) 一般公差	SCALE //	DESIGN UNITS <input checked="" type="checkbox"/> mm <input type="checkbox"/> INCH
10 UNDER 未満	±0.2	
10 OVER 30 UNDER 以上 未満	±0.25	
30 OVER 以上	±0.3	
ANGLE 角度	±3°	

MODEL NO. 54765-***0	DIMENSIONS: <input type="checkbox"/> mm <input type="checkbox"/> INCH <input checked="" type="checkbox"/> mm ONLY	SHT REV
DRAWN BY & DATE M.NINOMIYA '04/02/19	THIRD ANGLE PROJECTION	
CHECKED BY & DATE K.TOJO '04/02/19	TITLE: 0.4 B-To-B Rec Assy w/Gde (Hgt=1.5) [Ni Barrier] Embstp Pkg -LEAD FREE-	
APPROVED BY & DATE M.SASAO '04/02/19	MOLEX INCORPORATED	
CAD FILENAME SD-54765-031.S02	MATERIAL NO. SEE CHART	DRAWING NO. SD-54765-031
THIS DRAWING CONTAINS INFORMATION THAT IS PROPRIETARY TO MOLEX INCORPORATED AND SHOULD NOT BE USED WITHOUT WRITTEN PERMISSION.		SHEET NO. 2 OF 3
		SIZE B

DWG. NO. SD-54765-031

F

D

V

C

B

DO NOT SCALE DRAWING

8 7 6 5 4 3 2 1

F

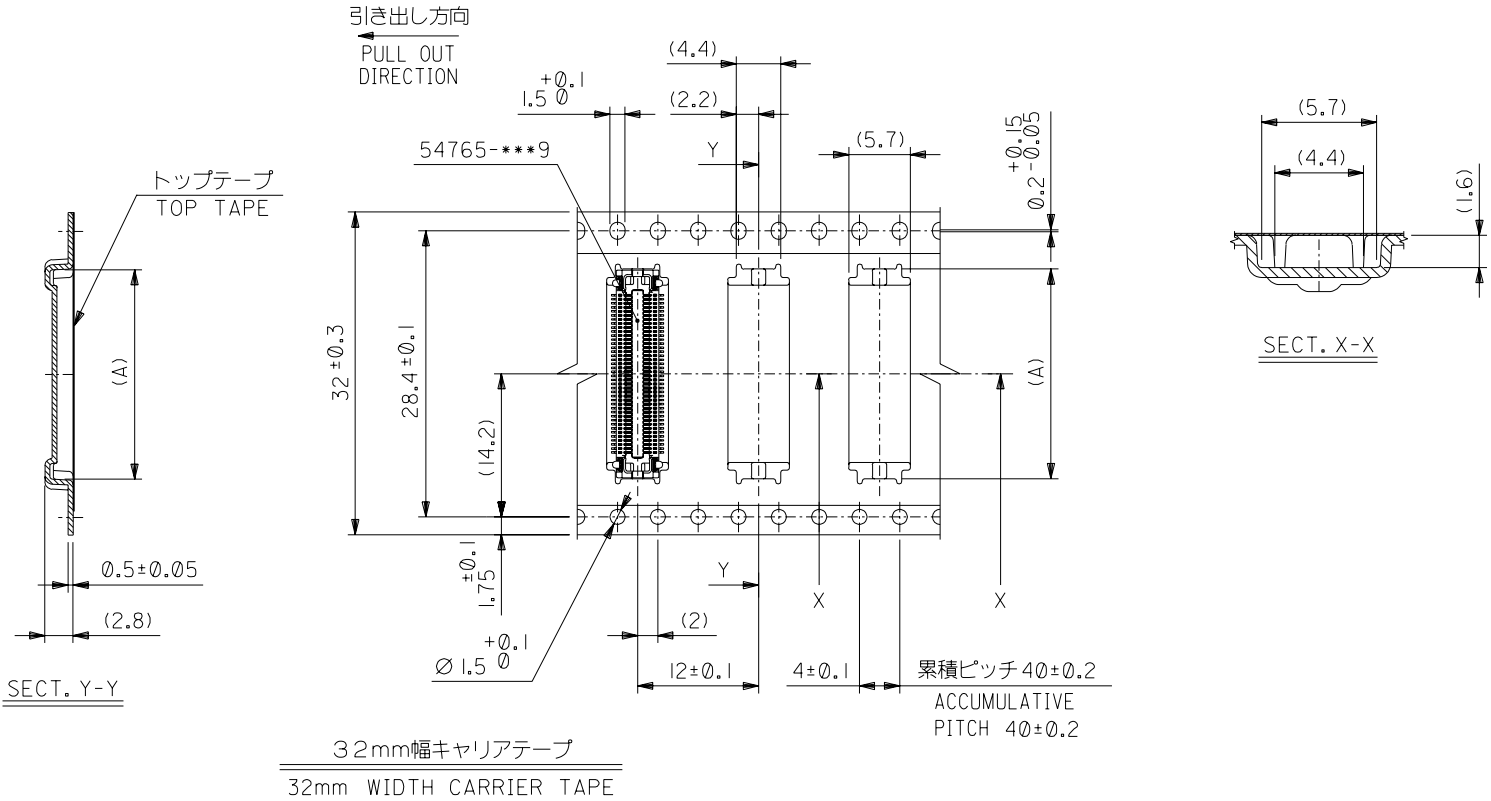
E

D

C

B

SD-54765-031.503



32	33.5	20.8	54765-8070	80
		18.8	54765-7070	70
キャリアテープ幅 CARRIER TAPE WIDTH		B	(A)	MATERIAL NO. 極数 CIRCUIT

MODEL NO.	54765-***0	DIMENSIONS:	SHT	REV
DESIGN UNITS	<input checked="" type="checkbox"/> mm <input type="checkbox"/> INCH	<input type="checkbox"/> mm <input type="checkbox"/> INCH		
THIRD ANGLE PROJECTION	<input checked="" type="checkbox"/>			

EC NO.	RELEASED '04/02/19
DRWN: CH'K: APPR:	EC NO. J2004-2532
	DRWN: M.NINOMIYA
	CH'K: K.TOJO
	APPR: M.SASAO

MATERIAL 材料	注記参照 SEE NOTES
FINISH 仕上げ	//
WIRE RANGE 適用電線範囲	//
INS. RANGE 被覆外径	//

GENERAL TOLERANCES: (UNLESS SPECIFIED) 一般公差	
10 UNDER 未満	±0.2
10 OVER 30 UNDER 未満	±0.25
30 OVER 以上	±0.3
ANGLE 角度	±3°

DRAWN BY & DATE	M.NINOMIYA '04/02/19	TITLE:	0.4 B-To-B Rec Assy W/Gde (Hgt=1.5) [Ni Barrier] Embstp Pkg -LEAD FREE-
CHECKED BY & DATE	K.TOJO '04/02/19	MOLEX INCORPORATED	
APPROVED BY & DATE	M.SASAO '04/02/19	MATERIAL NO.	SD-54765-031
CAD FILENAME	SD-54765-031.S03	DRAWING NO.	SD-54765-031
THIS DRAWING CONTAINS INFORMATION THAT IS PROPRIETARY TO MOLEX INCORPORATED AND SHOULD NOT BE USED WITHOUT WRITTEN PERMISSION.		SHEET NO.	3 OF 3
		SIZE	B

8 7 6 5 4 3 2 1 EN-02J(097) MXJ-54