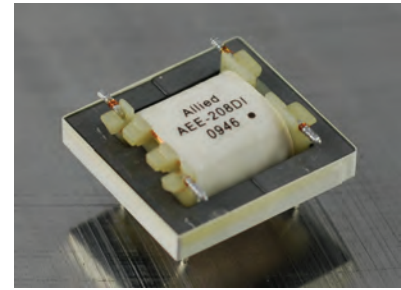




MODEM ISOLATION TRANSFORMER

AEE-208DI

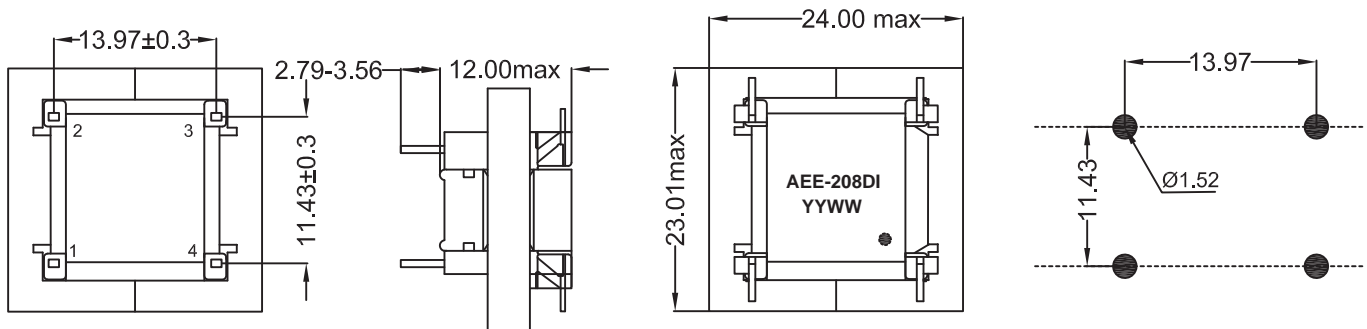
- IEC60950 Comptable
- High insulation type High efficiency
- Operating temperature range: -40°C to +85°C
- Storage temperature range: -25°C to +125°C
- Teridian 73M1903 & 73M2901 (V.22bis Single Chip Modem)



Electrical Specifications @25°C								
Part Number	Turns Ratio @1KHz,1V	OCL @200KHz,1V(LP)	DCR @25°C		Impdace @1KHz,1V	LB @60-1000HZ	IL @1000Hz,	HI-POT (Vac/1mA/1S) Pri to Sec Pri / Sec to core
	(1-2):(4-3)	1-2&4-3	1-2	4-3	1-2(4-3 load 470Ω)			
AEE-208DI	1:1±2%	180mH min	108Ω ±10%	120Ω ±10%	600Ω±15%	66dB min	2.0±0.5dB	1250V

All specifications subject to change without notice.

MECHANICAL



Unless otherwise specified all tolerances are:±0.25 in mm

SCHEMATICS

