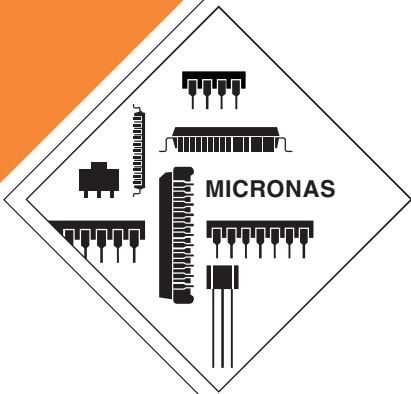


PRELIMINARY DATA SHEET

**BSP 3505D**  
Baseband  
Sound Processor



Edition Oct. 21, 1998  
6251-481-1PD

 **MICRONAS**

---

**Contents**

<b>Page</b>	<b>Section</b>	<b>Title</b>
<b>4</b>	<b>1.</b>	<b>Introduction</b>
4	1.1.	BSP 3505D Integrated Functions
4	1.2.	Features of the DSP-Section
4	1.3.	Features of the Analog Section
<b>5</b>	<b>2.</b>	<b>Architecture of the BSP 3505D</b>
5	2.1.	Analog Section and SCART Switching Facilities
5	2.1.1.	Standby Mode
6	2.2.	BSP 3505DAudio Baseband Processing
6	2.3.	Clock and Crystal Specifications
6	2.4.	Digital Control Output Pins
<b>7</b>	<b>3.</b>	<b>I<sup>2</sup>C Bus Interface: Device and Subaddresses</b>
8	3.1.	Protocol Description
9	3.2.	Proposal for BSP 3505D I <sup>2</sup> C Telegrams
9	3.2.1.	Symbols
9	3.2.2.	Write Telegrams
9	3.2.3.	Read Telegrams
9	3.2.4.	Examples
10	3.3.	Start Up Sequence: Power Up and I <sup>2</sup> C-Controlling
<b>11</b>	<b>4.</b>	<b>Programming the BSP 3505D</b>
11	4.1.	Register 'MODE_REG'
12	4.2.	DSP Write Registers: Table and Addresses
12	4.3.	DSP Read Registers: Table and Addresses
13	4.4.	DSP Write Registers: Functions and Values
13	4.4.1.	Volume Loudspeaker Channel
14	4.4.2.	Balance Loudspeaker Channel
14	4.4.3.	Bass Loudspeaker Channel
15	4.4.4.	Treble Loudspeaker Channel
15	4.4.5.	Loudness Loudspeaker Channel
16	4.4.6.	Spatial Effects Loudspeaker Channel
17	4.4.7.	Volume SCART1
17	4.4.8.	Channel Source Modes
17	4.4.9.	Channel Matrix Modes
17	4.4.10.	SCART Prescale
18	4.4.11.	Definition of Digital Control Output Pins
18	4.4.12.	Definition of SCART-Switching Facilities
18	4.4.13.	Beeper
19	4.4.14.	Automatic Volume Correction (AVC)
19	4.5.	DSP Read Registers: Functions and Values
19	4.5.1.	Quasi-Peak Detector
20	4.5.2.	BSP Hardware Version Code
20	4.5.3.	BSP Major Revision Code
20	4.5.4.	BSP Product Code
20	4.5.5.	BSP ROM Version Code

---

**Contents, continued**

<b>Page</b>	<b>Section</b>	<b>Title</b>
<b>21</b>	<b>5.</b>	<b>Specifications</b>
21	5.1.	Outline Dimensions
23	5.2.	Pin Connections and Short Descriptions
26	5.3.	Pin Configurations
30	5.4.	Pin Circuits
31	5.5.	Electrical Characteristics
31	5.5.1.	Absolute Maximum Ratings
32	5.5.2.	Recommended Operating Conditions
34	5.5.3.	Characteristics
<b>37</b>	<b>6.</b>	<b>Application Circuit</b>
<b>40</b>	<b>7.</b>	<b>Appendix A: BSP 3505D Version History</b>
<b>40</b>	<b>8.</b>	<b>Data Sheet History</b>

**Baseband Sound Processor**

**Release Notes: The hardware description in this document is valid for the BSP 3505D version A2.**

**1. Introduction**

The **BSP 3505D** is designed as a single-chip Baseband Sound Processor for applications in analog and digital TV sets, video recorders, and satellite receivers.

The IC is produced in submicron CMOS technology, and is fully pin and software compatible to the MSP 34xx family. The BSP 3505D is available in a PLCC68, PSDIP64, PSDIP52, PQFP80, and in a PQFP44 package.

**Note:** The BSP 3505D version has reduced control registers and less functional pins. The remaining registers are software compatible to the MSP 34xxD. The pinning is compatible to the MSP 34xxD.

**1.1. BSP 3505D Integrated Functions**

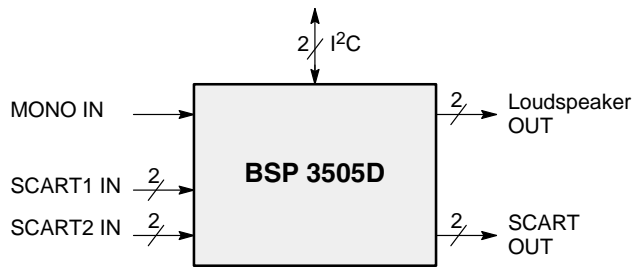
- Stereo baseband input via integrated A/D converters
- Two stereo D/A converters
- AVC: Automatic Volume Correction
- Bass, treble, volume, loudness processing
- Full SCART in/out matrix without restrictions
- spatial effect (pseudostereo / basewidth enlargement)
- Digital control output pins D\_CTR\_OUT0/1
- Reduction of necessary controlling
- Less external components

**1.2. Features of the DSP-Section**

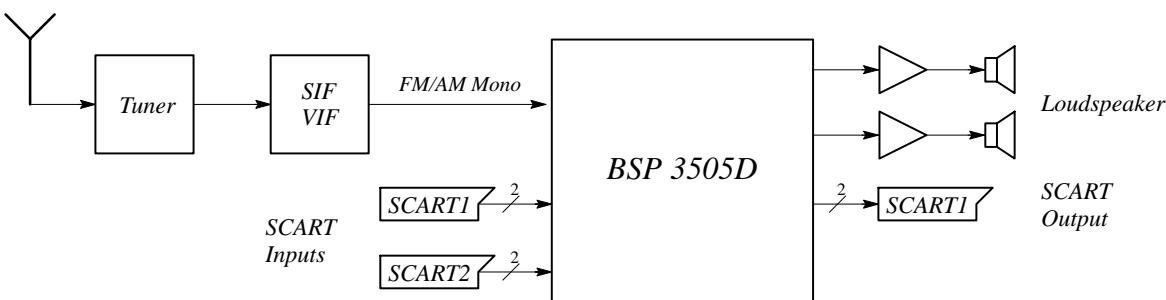
- flexible selection of audio sources to be processed
- digital baseband processing: volume, bass, treble, loudness, and spatial effects
- simple controlling of volume, bass, treble, loudness, and spatial effects

**1.3. Features of the Analog Section**

- two selectable analog stereo audio baseband inputs (= two SCART inputs)  
input level:  $\leq 2$  V RMS,  
input impedance:  $\geq 25$  k $\Omega$
- one selectable analog mono input:  
input level:  $\leq 2$  V RMS,  
input impedance:  $\geq 15$  k $\Omega$
- stereo high-quality A/D converter, S/N-Ratio:  $\geq 85$  dB
- 20 Hz to 20 kHz bandwidth for SCART-to-SCART-copy facilities
- loudspeaker: stereo four-fold oversampled D/A-converter  
output level per channel: max. 1.4 VRMS  
output resistance: max. 5 k $\Omega$   
S/N-ratio:  $\geq 85$  dB at maximum volume  
max. noise voltage in mute mode:  $\leq 10$   $\mu$ V  
(BW: 20 Hz ...16 kHz)
- stereo four-fold oversampled D/A converter supplying a stereo SCART-output  
output level per channel: max. 2 V RMS,  
output resistance: max. 0.5 k $\Omega$ ,  
S/N-Ratio:  $\geq 85$  dB (20 Hz...16 kHz)



**Fig. 1-2: Main I/O Signals BSP 3505D**



**Fig. 1-1: Typical BSP 3505D application**

**2. Architecture of the BSP 3505D**

Fig. 2–2 shows a simplified block diagram of the IC. Its architecture is split into two main functional blocks:

1. DSP (digital signal processing) section performing audio baseband processing
2. analog section containing two A/D-converters, four D/A-converters, and SCART-switching facilities.

**2.1. Analog Section and SCART Switching Facilities**

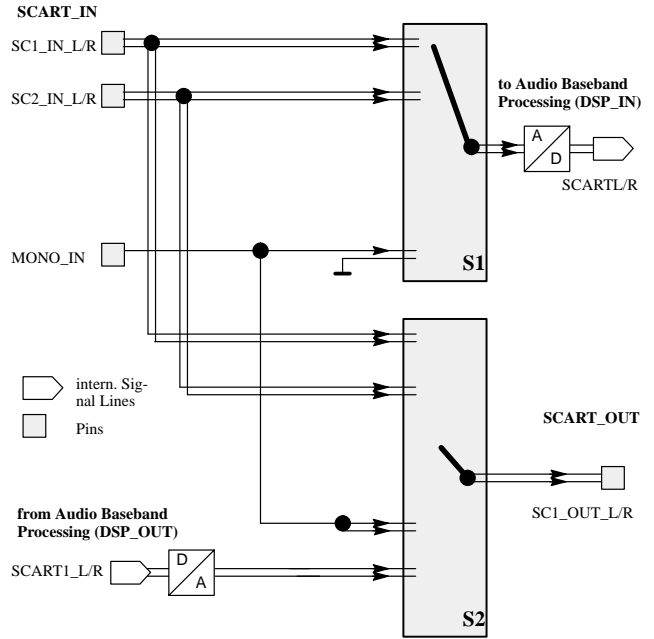
The analog input and output sections include full matrix switching facilities, which are shown in Fig. 2–1.

The switches are controlled by the ACB bits defined in the audio processing interface (see section 4. Programming the BSP 3505D).

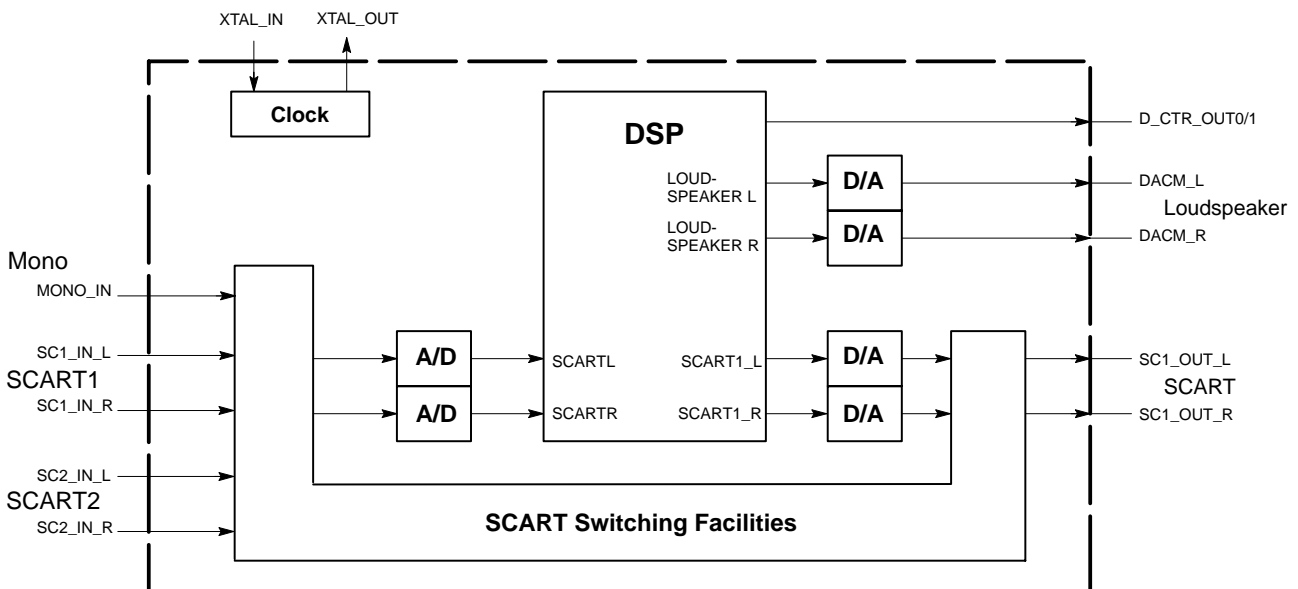
**2.1.1. Standby Mode**

If the BSP 3505D is switched off by first pulling STANDBYQ low, and then disconnecting the 5 V, but keeping the 8 V power supply (\***Standby-mode**), the switches S1 and S2 (see Fig. 2–1) maintain their position and function. This facilitates the copying from selected SCART-inputs to SCART-output in the TV-set’s standby mode.

In case of power-on start or starting from standby, the IC switches automatically to the default configuration, shown in Fig. 2–1. This action takes place after the first I<sup>2</sup>C transmission into the DSP part. By transmitting the ACB register first, the individual default setting mode of the TV set can be defined.



**Fig. 2–1:** SCART-Switching Facilities (see 4.4.12.) positions show the default configuration after Power On Reset.  
**Note:** SCART\_OUT is undefined after RESET!



**Fig. 2–2:** Architecture of the BSP 3505D

**2.2. BSP 3505D Audio Baseband Processing**

All audio baseband functions are performed by digital signal processing (DSP). The DSP functions are grouped into three processing parts: input preprocessing, channel source selection, and channel postprocessing (see Fig. 2–3).

The input preprocessing is intended to form a standardized signal level.

All input and output signals can be processed simultaneously.

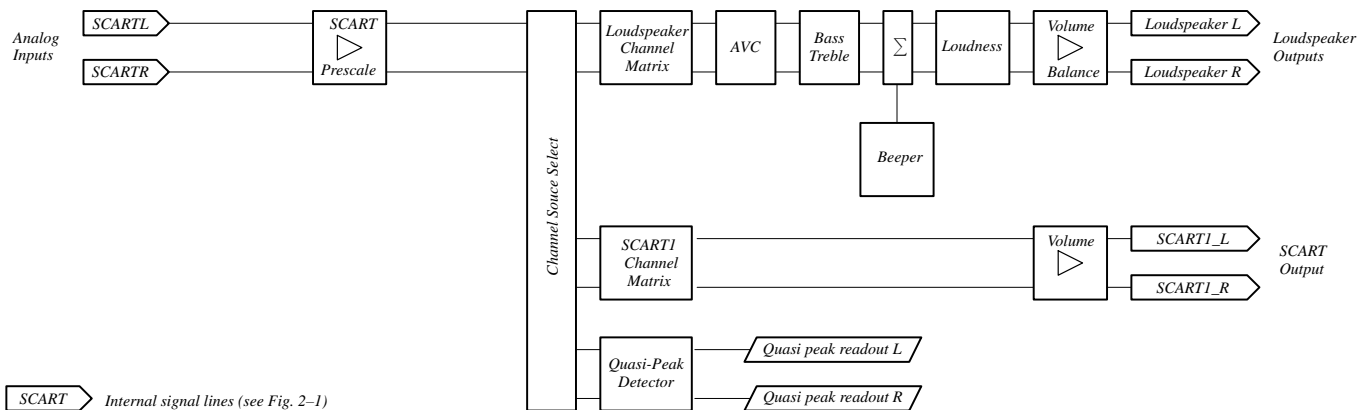
**2.3. Clock and Crystal Specifications**

**Remark on using the crystal:** External capacitors at each crystal pin to ground are required. The higher the capacitors, the lower the clock frequency results.

The nominal free running frequency should match the center of the tolerance range between 18.433 and 18.431 MHz as closely as possible.

**2.4. Digital Control Output Pins**

The static level of two output pins of the BSP 3505D (D\_CTR\_OUT0/1) is switchable between HIGH and LOW by means of the I<sup>2</sup>C-bus. This enables the controlling of external hardware controlled switches or other devices via I<sup>2</sup>C-bus (see section 4.4.11.)



**Fig. 2–3:** Audio Baseband Processing (DSP-Firmware)

### 3. I<sup>2</sup>C Bus Interface: Device and Subaddresses

As a slave receiver, the BSP 3505D can be controlled via I<sup>2</sup>C bus. Access to internal memory locations is achieved by subaddressing. The DSP processor part has its own subaddressing register bank.

In order to allow for more BSP or MSP ICs to be connected to the control bus, an ADR\_SEL pin has been implemented. With ADR\_SEL pulled to high, low, or left open, the BSP 3505D responds to changed device addresses. Thus, three identical devices can be selected.

By means of the RESET bit in the CONTROL register, all devices with the same device address are reset.

The IC is selected by asserting a special device address in the address part of an I<sup>2</sup>C transmission. A device address pair is defined as a write address (80, 84, or 88<sub>hex</sub>) and a read address (81, 85, or 89<sub>hex</sub>). Writing is done by sending the device write address first, followed by the subaddress byte, two address bytes, and two data bytes. Reading is done by sending the device write address, followed by the subaddress byte and two address bytes. Without sending a stop condition, reading of the addressed data is completed by sending the device read address (81, 85, or 89<sub>hex</sub>) and reading two bytes of data.

Refer to Fig. 3–1: I<sup>2</sup>C Bus Protocol and section 3.2. Proposal for BSP 3505D I<sup>2</sup>C Telegrams.

Due to the internal architecture of the BSP 3505D the IC cannot react immediately to an I<sup>2</sup>C request. The typical response time is about 0.3 ms for the DSP processor part. If the receiver (BSP) can't receive another complete byte of data until it has performed some other function; for example, servicing an internal interrupt, it can hold the clock line I<sup>2</sup>C\_CL LOW to force the transmitter into a wait state. The positions within a transmission where this may happen are indicated by 'Wait' in section 3.1. The maximum Wait-period of the BSP during normal operation mode is less than 1 ms.

I<sup>2</sup>C-Bus conditions caused by BSP hardware problems: In case of any internal error, the BSPs wait-period is extended to 1.8 ms. Afterwards, the BSP does not acknowledge (NAK) the device address. The data line will be left HIGH by the BSP and the clock line will be released. The master can then generate a STOP condition to abort the transfer.

By means of NAK, the master is able to recognize the error state and to reset the IC via I<sup>2</sup>C-Bus. While transmitting the reset protocol (s. 5.2.4.) to 'CONTROL', the master must ignore the not acknowledge bits (NAK) of the BSP.

A general timing diagram of the I<sup>2</sup>C Bus is shown in Fig. 3–2.

**Table 3–1:** I<sup>2</sup>C Bus Device Addresses

ADR_SEL	Low		High		Left Open	
	Write	Read	Write	Read	Write	Read
BSP device address	80 <sub>hex</sub>	81 <sub>hex</sub>	84 <sub>hex</sub>	85 <sub>hex</sub>	88 <sub>hex</sub>	89 <sub>hex</sub>

**Table 3–2:** I<sup>2</sup>C Bus Subaddresses

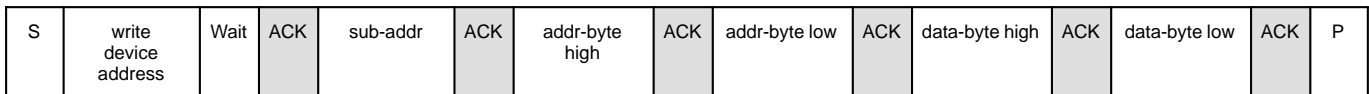
Name	Binary Value	Hex Value	Mode	Function
CONTROL	0000 0000	00	Write	software reset
TEST	0000 0001	01	Write	only for internal use
WR_DSP	0001 0010	12	Write	write address DSP
RD_DSP	0001 0011	13	Write	read address DSP

**Table 3–3:** Control Register (Subaddress: 00<sub>hex</sub>)

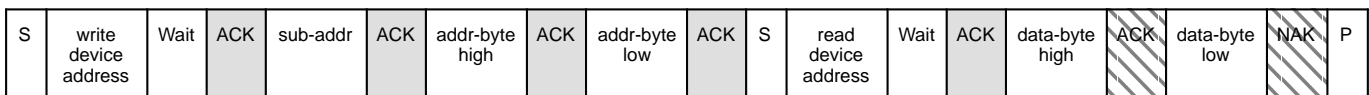
Name	Subaddress	MSB	14	13..1	LSB
CONTROL	00 <sub>hex</sub>	1 : RESET 0 : normal	0	0	0

**3.1. Protocol Description**

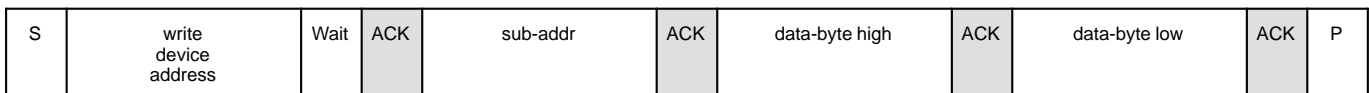
**Write to DSP**



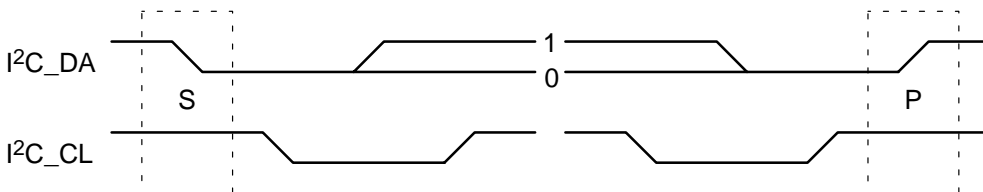
**Read from DSP**



**Write to Control or Test Registers**



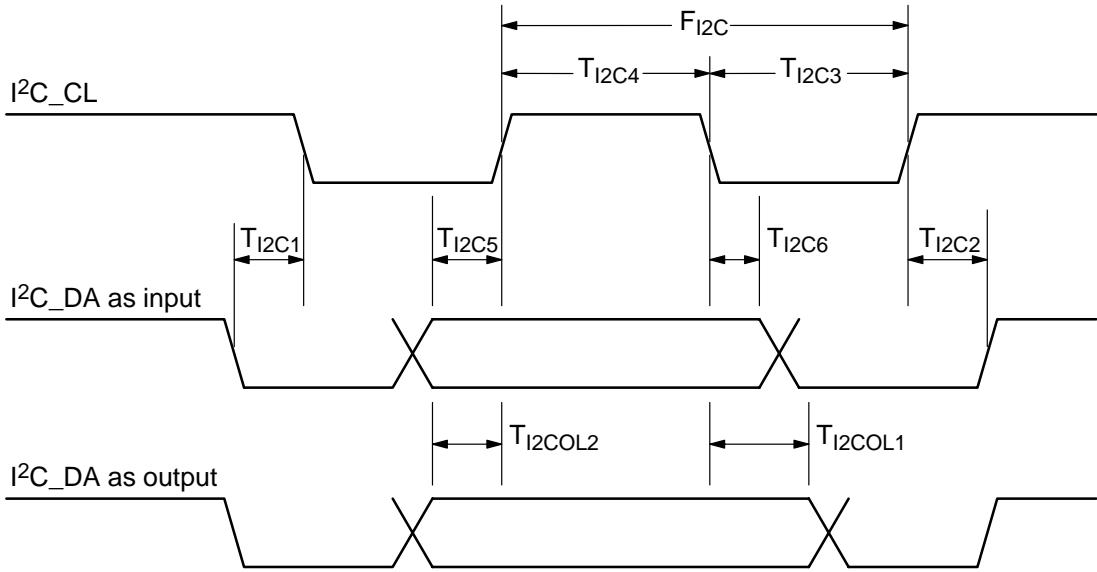
- Note:** S = I<sup>2</sup>C-Bus Start Condition from master
- P = I<sup>2</sup>C-Bus Stop Condition from master
- ACK = Acknowledge-Bit: LOW on I<sup>2</sup>C\_DA from slave (=BSP, gray) or master (=CCU, hatched)
- NAK = Not Acknowledge-Bit: HIGH on I<sup>2</sup>C\_DA from master (=CCU, hatched) to indicate 'End of Read' or from BSP indicating internal error state
- Wait = I<sup>2</sup>C-Clock line held low by the slave (=BSP) while interrupt is serviced (<1.8 ms)



**Fig. 3–1:** I<sup>2</sup>C bus protocol (MSB first; data must be stable while clock is high)

(Data: MSB first)





**Fig. 3–2:** I<sup>2</sup>C bus timing diagram

### 3.2. Proposal for BSP 3505D I<sup>2</sup>C Telegrams

#### 3.2.1. Symbols

daw write device address  
 dar read device address  
 < Start Condition  
 > Stop Condition  
 aa Address Byte  
 dd Data Byte

#### 3.2.2. Write Telegrams

<daw 00 d0 00> write to CONTROL register  
 <daw 12 aa aa dd dd> write data into DSP

#### 3.2.3. Read Telegrams

<daw 13 aa aa <dar dd dd> read data from DSP

#### 3.2.4. Examples

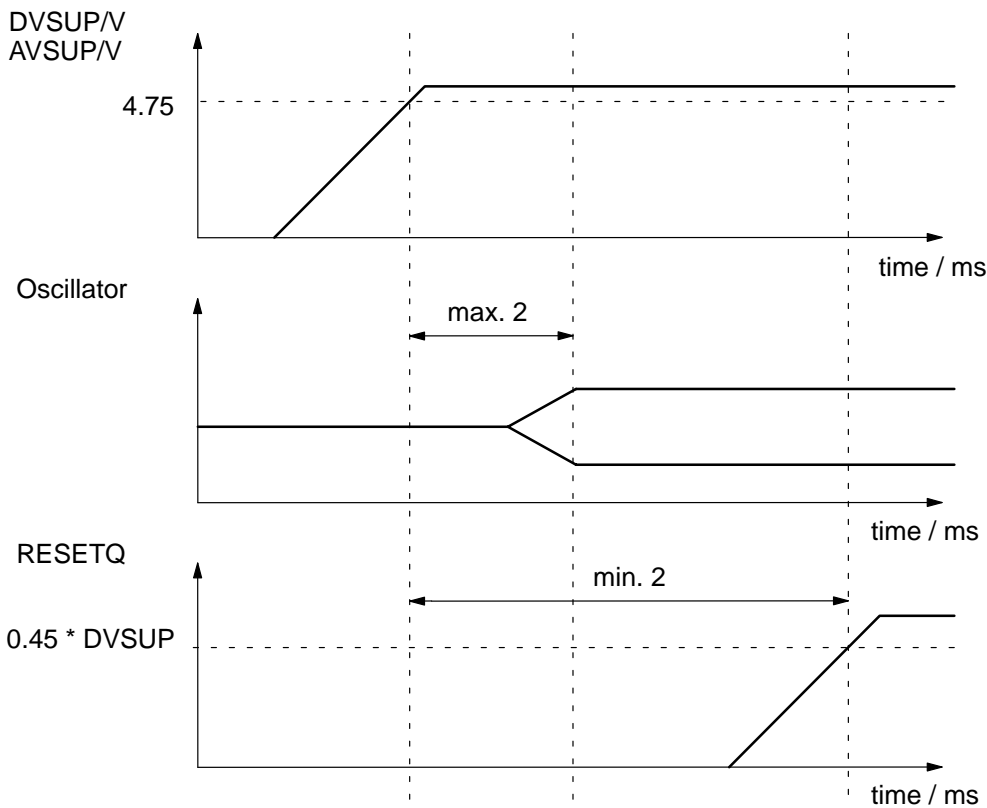
<80 00 80 00> RESET BSP statically  
 <80 00 00 00> clear RESET  
 <80 12 00 08 02 20> set loudspeaker channel source to SCART, stereo

**3.3. Start Up Sequence: Power Up and I<sup>2</sup>C-Controlling**

After power on or RESET (see Fig. 3–3), the IC is in an inactive state. The CCU has to transmit the required coefficient set for a given operation via the I<sup>2</sup>C bus. Initialization must start with the MODE Register.

The reset pin should not be  $>0.45 \cdot DVSUP$  (see recommended conditions) before the 5 Volt digital power supply (DVSUP) and the analog power supply (AVSUP) are  $>4.75$  Volt **AND** the BSP clock is running. (Delay: 0.5 ms typ, 2 ms max)

This means, if the reset low–high edge starts with a delay of 2 ms after DVSUP and AVSUP  $>4.75$  Volt, even under worst case conditions, the reset is ok.



**Note:** The reset should not reach high level before the oscillator has started. This requires a reset delay of  $>2$  ms

**Fig. 3–3:** Power-up sequence

## 4. Programming the BSP 3505D

### 4.1. Register 'MODE\_REG'

The register 'MODE\_REG' contains the control bits determining the operation mode of the BSP 3505D; Table 4–1 explains all bit positions.

**Table 4–1:** Control word 'MODE\_REG': All bits are "0" after power-on-reset

Register	Protocol	Write Address (hex)	Function
MODE_REG	long	0083	mode register
Bit	Function	Comment	Definition
[0]	not used		must be 0
[1]	DCTR_TRI	Digital_Control_Output tristate	0 : active 1 : tristate
[2]	not used		must be 1
[3–4]	not used		must be 0
[5]	not used		must be 1
[6–9]	not used		must be 0
[10–15]	not used		must be 0

## 4.2. DSP Write Registers: Table and Addresses

**Table 4–2:** DSP Write Registers; Subaddress: 12<sub>hex</sub>; if necessary these registers are readable as well.

DSP Write Register	Address	High/Low	Adjustable Range, Operational Modes	Reset Mode
Volume loudspeaker channel	0000 <sub>hex</sub>	H	[+12 dB ... –114 dB, MUTE]	MUTE
Volume / Clipping Mode loudspeaker		L	1/8 dB Steps / Reduce Vol., Tone, Comprom.	00 <sub>hex</sub>
Balance loudspeaker channel [L/R]	0001 <sub>hex</sub>	H	[0..100 / 100 % and vv][–127..0 / 0 dB and vv]	100%/100%
Balance Mode loudspeaker		L	[Linear mode / logarithmic mode]	linear mode
Bass loudspeaker channel	0002 <sub>hex</sub>	H	[+12 dB ... –12 dB]	0 dB
Treble loudspeaker channel	0003 <sub>hex</sub>	H	[+12 dB ... –12 dB]	0 dB
Loudness loudspeaker channel	0004 <sub>hex</sub>	H	[0 dB ... +17 dB]	0 dB
Loudness Filter Characteristic		L	[NORMAL, SUPER_BASS]	NORMAL
Spatial effect strength loudspeaker ch.	0005 <sub>hex</sub>	H	[–100%...OFF...+100%]	OFF
Spatial effect mode/customize		L	[SBE, SBE+PSE]	SBE+PSE
Volume SCART1 channel	0007 <sub>hex</sub>	H	[00 <sub>hex</sub> ... 7F <sub>hex</sub> ].[+12 dB ... –114 dB, MUTE]	00 <sub>hex</sub>
Volume / Mode SCART1 channel		L	[Linear mode / logarithmic mode]	linear mode
Loudspeaker channel source	0008 <sub>hex</sub>	H	[SCART]	FM/AM
Loudspeaker channel matrix		L	[SOUNDA, SOUNDB, STEREO, MONO]	SOUNDA
SCART1 channel source	000A <sub>hex</sub>	H	[SCART]	FM/AM
SCART1 channel matrix		L	[SOUNDA, SOUNDB, STEREO, MONO]	SOUNDA
Quasi-peak detector source	000C <sub>hex</sub>	H	[SCART]	FM/AM
Quasi-peak detector matrix		L	[SOUNDA, SOUNDB, STEREO, MONO]	SOUNDA
Prescale SCART	000D <sub>hex</sub>	H	[00 <sub>hex</sub> ... 7F <sub>hex</sub> ]	00 <sub>hex</sub>
ACB Register (SCART Switching Facilities)	0013 <sub>hex</sub>	H/L	Bits [15..0]	00 <sub>hex</sub>
Beeper	0014 <sub>hex</sub>	H/L	[00 <sub>hex</sub> ... 7F <sub>hex</sub> ]/[00 <sub>hex</sub> ... 7F <sub>hex</sub> ]	0/0
Automatic Volume Correction	0029 <sub>hex</sub>	H	[off, on, decay time]	off

## 4.3. DSP Read Registers: Table and Addresses

**Table 4–3:** DSP Read Registers; Subaddress: 13<sub>hex</sub>

DSP Read Register	Address	High/Low	Output Range
Quasi peak readout left	0019 <sub>hex</sub>	H&L	[00 <sub>hex</sub> ... 7FFF <sub>hex</sub> ] 16 bit two's complement
Quasi peak readout right	001A <sub>hex</sub>	H&L	[00 <sub>hex</sub> ... 7FFF <sub>hex</sub> ] 16 bit two's complement

**4.4. DSP Write Registers: Functions and Values**

Write registers are 16 bit wide, whereby the MSB is denoted bit [15]. Transmissions via I<sup>2</sup>C bus have to take place in 16-bit words. Some of the defined 16-bit words are divided into low [7..0] and high [15..8] byte, or in an other manner, thus holding two different control entities. All write registers are readable. Unused parts of the 16-bit registers must be zero. Addresses not given in this table must not be written at any time!

**4.4.1. Volume Loudspeaker Channel**

Volume Loudspeaker	0000 <sub>hex</sub>	[15..4]
+12 dB	0111 1111 0000	7F0 <sub>hex</sub>
+11.875 dB	0111 1110 1110	7EE <sub>hex</sub>
+0.125 dB	0111 0011 0010	732 <sub>hex</sub>
0 dB	0111 0011 0000	730 <sub>hex</sub>
-0.125 dB	0111 0010 1110	72E <sub>hex</sub>
-113.875 dB	0000 0001 0010	012 <sub>hex</sub>
-114 dB	0000 0001 0000	010 <sub>hex</sub>
Mute	0000 0000 0000	000 <sub>hex</sub> RESET
Fast Mute	1111 1111 1110	FFE <sub>hex</sub>

The highest given positive 8-bit number (7F<sub>hex</sub>) yields in a maximum possible gain of 12 dB. Decreasing the volume register by 1 LSB decreases the volume by 1 dB. Volume settings lower than the given minimum mute the output. With large scale input signals, positive volume settings may lead to signal clipping.

The BSP 3505D loudspeaker volume function is divided up in a digital and an analog section.

With Fast Mute, volume is reduced to mute position by digital volume only. Analog volume is not changed. This reduces any audible DC plops. Going back from Fast Mute should be done to the volume step before Fast Mute was activated.

Clipping Mode Loudspeaker	0000 <sub>hex</sub>	[3..0]
Reduce Volume	0000 RESET	0 <sub>hex</sub>
Reduce Tone Control	0001	1 <sub>hex</sub>
Compromise Mode	0010	2 <sub>hex</sub>

If the clipping mode is set to “Reduce Volume”, the following clipping procedure is used: To prevent severe clipping effects with bass or treble boosts, the internal volume is automatically limited to a level where, in combination with either bass or treble setting, the amplification does not exceed 12 dB.

If the clipping mode is “Reduce Tone Control”, the bass or treble value is reduced if amplification exceeds 12 dB.

If the clipping mode is “Compromise Mode”, the bass or treble value and volume are reduced half and half if amplification exceeds 12 dB.

Example:	Vol.: +6 dB	Bass: +9 dB	Treble: +5 dB
Red. Volume	3	9	5
Red. Tone Con.	6	6	5
Compromise	4.5	7.5	5

**4.4.2. Balance Loudspeaker Channel**

Positive balance settings reduce the left channel without affecting the right channel; negative settings reduce the right channel leaving the left channel unaffected. In linear mode, a step by 1 LSB decreases or increases the balance by about 0.8% (exact figure: 100/127). In logarithmic mode, a step by 1 LSB decreases or increases the balance by 1 dB.

Balance Mode Loudspeaker	0001 <sub>hex</sub>	[3..0]
linear	0000 RESET	0 <sub>hex</sub>
logarithmic	0001	1 <sub>hex</sub>

Linear Mode		
Balance Loudspeaker Channel [L/R]	0001 <sub>hex</sub>	H
Left muted, Right 100%	0111 1111	7F <sub>hex</sub>
Left 0.8%, Right 100%	0111 1110	7E <sub>hex</sub>
Left 99.2%, Right 100%	0000 0001	01 <sub>hex</sub>
Left 100%, Right 100%	0000 0000 RESET	00 <sub>hex</sub>
Left 100%, Right 99.2%	1111 1111	FF <sub>hex</sub>
Left 100%, Right 0.8%	1000 0010	82 <sub>hex</sub>
Left 100%, Right muted	1000 0001	81 <sub>hex</sub>

Logarithmic Mode		
Balance Loudspeaker Channel [L/R]	0001 <sub>hex</sub>	H
Left -127 dB, Right 0 dB	0111 1111	7F <sub>hex</sub>
Left -126 dB, Right 0 dB	0111 1110	7E <sub>hex</sub>
Left -1 dB, Right 0 dB	0000 0001	01 <sub>hex</sub>
Left 0 dB, Right 0 dB	0000 0000 RESET	00 <sub>hex</sub>
Left 0 dB, Right -1 dB	1111 1111	FF <sub>hex</sub>
Left 0 dB, Right -127 dB	1000 0001	81 <sub>hex</sub>
Left 0 dB, Right -128 dB	1000 0000	80 <sub>hex</sub>

**4.4.3. Bass Loudspeaker Channel**

Bass Loudspeaker	0002 <sub>hex</sub>	H
+20 dB	0111 1111	7F <sub>hex</sub>
+18 dB	0111 1000	78 <sub>hex</sub>
+16 dB	0111 0000	70 <sub>hex</sub>
+14 dB	0110 1000	68 <sub>hex</sub>
+12 dB	0110 0000	60 <sub>hex</sub>
+11 dB	0101 1000	58 <sub>hex</sub>
+1 dB	0000 1000	08 <sub>hex</sub>
+1/8 dB	0000 0001	01 <sub>hex</sub>
0 dB	0000 0000 RESET	00 <sub>hex</sub>
-1/8 dB	1111 1111	FF <sub>hex</sub>
-1 dB	1111 1000	F8 <sub>hex</sub>
-11 dB	1010 1000	A8 <sub>hex</sub>
-12 dB	1010 0000	A0 <sub>hex</sub>

With positive bass settings, internal overflow may occur even with overall volume less than 0 dB. This will lead to a clipped output signal. Therefore, it is not recommended to set bass to a value that, in conjunction with volume, would result in an overall positive gain.

## 4.4.4. Treble Loudspeaker Channel

Treble Loudspeaker	0003 <sub>hex</sub>	H
+15 dB	0111 1000	78 <sub>hex</sub>
+14 dB	0111 0000	70 <sub>hex</sub>
+1 dB	0000 1000	08 <sub>hex</sub>
+1/8 dB	0000 0001	01 <sub>hex</sub>
0 dB	0000 0000 RESET	00 <sub>hex</sub>
-1/8 dB	1111 1111	FF <sub>hex</sub>
-1 dB	1111 1000	F8 <sub>hex</sub>
-11 dB	1010 1000	A8 <sub>hex</sub>
-12 dB	1010 0000	A0 <sub>hex</sub>

With positive treble settings, internal overflow may occur even with overall volume less than 0 dB. This will lead to a clipped output signal. Therefore, it is not recommended to set treble to a value that, in conjunction with volume, would result in an overall positive gain.

## 4.4.5. Loudness Loudspeaker Channel

Loudness Loudspeaker	0004 <sub>hex</sub>	H
+17 dB	0100 0100	44 <sub>hex</sub>
+16 dB	0100 0000	40 <sub>hex</sub>
+1 dB	0000 0100	04 <sub>hex</sub>
0 dB	0000 0000 RESET	00 <sub>hex</sub>

Mode Loudness Loudspeaker	0004 <sub>hex</sub>	L
Normal (constant volume at 1 kHz)	0000 0000 RESET	00 <sub>hex</sub>
Super Bass (constant volume at 2 kHz)	0000 0100	04 <sub>hex</sub>

Loudness increases the volume of low and high frequency signals, while keeping the amplitude of the 1 kHz reference frequency constant. The intended loudness has to be set according to the actual volume setting. Because loudness introduces gain, it is not recommended to set loudness to a value that, in conjunction with volume, would result in an overall positive gain.

By means of 'Mode Loudness', the corner frequency for bass amplification can be set to two different values. In Super Bass mode, the corner frequency is shifted up. The point of constant volume is shifted from 1 kHz to 2 kHz.

#### 4.4.6. Spatial Effects Loudspeaker Channel

Spatial Effect Strength Loudspeaker	0005 <sub>hex</sub>	H
Enlargement 100%	0111 1111	7F <sub>hex</sub>
Enlargement 50%	0011 1111	3F <sub>hex</sub>
Enlargement 1.5%	0000 0001	01 <sub>hex</sub>
Effect off	0000 0000 RESET	00 <sub>hex</sub>
Reduction 1.5%	1111 1111	FF <sub>hex</sub>
Reduction 50%	1100 0000	C0 <sub>hex</sub>
Reduction 100%	1000 0000	80 <sub>hex</sub>

Spatial Effect Mode Loudspeaker	0005 <sub>hex</sub>	[7..4]
Stereo Basewidth Enlargement (SBE) and Pseudo Stereo Effect (PSE). (Mode A)	0000 RESET	0 <sub>hex</sub>
	0000	0 <sub>hex</sub>
Stereo Basewidth Enlargement (SBE) only. (Mode B)	0010	2 <sub>hex</sub>

Spatial Effect Customize Coefficient Loudspeaker	0005 <sub>hex</sub>	[3..0]
max high pass gain	0000 RESET	0 <sub>hex</sub>
2/3 high pass gain	0010	2 <sub>hex</sub>
1/3 high pass gain	0100	4 <sub>hex</sub>
min high pass gain	0110	6 <sub>hex</sub>
automatic	1000	8 <sub>hex</sub>

There are several spatial effect modes available:

Mode A (low byte = 00<sub>hex</sub>) is compatible to the formerly used spatial effect. Here, the kind of spatial effect depends on the source mode. If the incoming signal is in mono mode, Pseudo Stereo Effect is active; for stereo signals, Pseudo Stereo Effect and Stereo Basewidth Enlargement is effective. The strength of the effect is controllable by the upper byte. A negative value reduces the stereo image. A rather strong spatial effect is recommended for small TV sets where loudspeaker spacing is rather close. For large screen TV sets, a more moderate spatial effect is recommended. In mode A, even in case of stereo input signals, Pseudo Stereo Effect is active, which reduces the center image.

In Mode B, only Stereo Basewidth Enlargement is effective. For mono input signals, the Pseudo Stereo Effect has to be switched on.

It is worth mentioning, that all spatial effects affect amplitude and phase response. With the lower 4 bits, the frequency response can be customized. A value of 0000<sub>bin</sub> yields a flat response for center signals (L = R) but a high pass function of L or R only signals. A value of 0110<sub>bin</sub> has a flat response for L or R only signals but a lowpass function for center signals. By using 1000<sub>bin</sub>, the frequency response is automatically adapted to the sound material by choosing an optimal high pass gain.



## 4.4.7. Volume SCART1

Volume Mode SCART1	0007 <sub>hex</sub>	[3..0]
linear	0000 RESET	0 <sub>hex</sub>
logarithmic	0001	1 <sub>hex</sub>

Linear Mode		
Volume SCART1	0007 <sub>hex</sub>	H
OFF	0000 0000 RESET	00 <sub>hex</sub>
0 dB gain (digital full scale (FS) to 2 V <sub>RMS</sub> output)	0100 0000	40 <sub>hex</sub>
+6 dB gain (–6 dBFS to 2 V <sub>RMS</sub> output)	0111 1111	7F <sub>hex</sub>

Logarithmic Mode		
Volume SCART1	0007 <sub>hex</sub>	[15..4]
+12 dB	0111 1111 0000	7F0 <sub>hex</sub>
+11.875 dB	0111 1110 1110	7EE <sub>hex</sub>
+0.125 dB	0111 0011 0010	732 <sub>hex</sub>
0 dB	0111 0011 0000	730 <sub>hex</sub>
–0.125 dB	0111 0010 1110	72E <sub>hex</sub>
–113.875 dB	0000 0001 0010	012 <sub>hex</sub>
–114 dB	0000 0001 0000	010 <sub>hex</sub>
Mute	0000 0000 0000 RESET	000 <sub>hex</sub>

## 4.4.8. Channel Source Modes

Loudspeaker Source	0008 <sub>hex</sub>	H
SCART1 Source	000A <sub>hex</sub>	H
Quasi-Peak Detector Source	000C <sub>hex</sub>	H
NONE (MSP3410: FM)	0000 0000 RESET	00 <sub>hex</sub>
NONE (MSP3410: NICAM)	0000 0001	01 <sub>hex</sub>
SCART	0000 0010	02 <sub>hex</sub>

## 4.4.9. Channel Matrix Modes

Loudspeaker Matrix	0008 <sub>hex</sub>	L
SCART1 Matrix	000A <sub>hex</sub>	L
Quasi-Peak Detector Matrix	000C <sub>hex</sub>	L
SOUNDA / LEFT	0000 0000 RESET	00 <sub>hex</sub>
SOUNDB / RIGHT	0001 0000	10 <sub>hex</sub>
STEREO	0010 0000	20 <sub>hex</sub>
MONO	0011 0000	30 <sub>hex</sub>

## 4.4.10. SCART Prescale

Volume Prescale SCART	000D <sub>hex</sub>	H
OFF	0000 0000 RESET	00 <sub>hex</sub>
0 dB gain (2 V <sub>RMS</sub> in- put to digital full scale)	0001 1001	19 <sub>hex</sub>
+14 dB gain (400 mV <sub>RMS</sub> input to digital full scale)	0111 1111	7F <sub>hex</sub>

## 4.4.11. Definition of Digital Control Output Pins

ACB Register	0013 <sub>hex</sub> [15..14]
D_CTR_OUT0 low (RESET) high	x0 x1
D_CTR_OUT1 low (RESET) high	0x 1x

## 4.4.12. Definition of SCART-Switching Facilities

ACB Register	0013 <sub>hex</sub> [13..0]
<b>DSP IN</b> Selection of Source: * SC1_IN_L/R MONO_IN SC2_IN_L/R Mute	xx xx00 xx00 0000 xx xx01 xx00 0000 xx xx10 xx00 0000 xx xx11 xx10 0000
<b>SC1_OUT_L/R</b> Selection of Source: SC2_IN_L/R MONO_IN SCART1 via D/A SC1_IN_L/R Mute	xx 01xx x0x0 0000 xx 10xx x0x0 0000 xx 11xx x0x0 0000 xx 01xx x1x0 0000 xx 11xx x1x0 0000
<p>* = RESET position, which becomes active at the time of the first write transmission on the control bus to the audio processing part (DSP). By writing to the ACB register first, the RESET state can be redefined.</p> <p><b>Note:</b> After RESET, SC1_OUT_L/R is undefined!</p>	

**Note:** If "MONO\_IN" is selected at the DSP\_IN selection, the channel matrix mode of the corresponding output channel(s) must be set to "sound A".

## 4.4.13. Beeper

Beeper Volume	0014 <sub>hex</sub>	H
OFF RESET	0000 0000	00 <sub>hex</sub>
Maximum Volume (full digital scale FDS)	0111 1111	7F <sub>hex</sub>
Beeper Frequency	0014 <sub>hex</sub>	L
16 Hz (lowest)	0000 0001	01 <sub>hex</sub>
1 kHz	0100 0000	40 <sub>hex</sub>
4 kHz (highest)	1111 1111	FF <sub>hex</sub>

A squarewave beeper can be added to the loudspeaker channel. The addition point is just before volume adjustment.

#### 4.4.14. Automatic Volume Correction (AVC)

<b>AVC</b>	<b>on/off</b>	<b>0029<sub>hex</sub></b>	<b>[15..12]</b>
AVC	off and Reset of int. variables	0000 RESET	0 <sub>hex</sub>
AVC	on	1000	8 <sub>hex</sub>
<b>AVC</b>	<b>Decay Time</b>	<b>0029<sub>hex</sub></b>	<b>[11..8]</b>
8 sec	(long)	1000	8 <sub>hex</sub>
4 sec	(middle)	0100	4 <sub>hex</sub>
2 sec	(short)	0010	2 <sub>hex</sub>
20 ms	(very short)	0001	1 <sub>hex</sub>

Different sound sources fairly often do not have the same volume level. Advertisement during movies, as well, usually has a different (higher) volume level than the movie itself. The Automatic Volume Correction (AVC) solves this problem and equalizes the volume levels.

The absolute value of the incoming signal is fed into a filter with 16 ms attack time and selectable decay time. The decay time must be adjusted as shown in the table above. This attack/decay filter block works similar to a peak hold function. The volume correction value with its quasi continuous step width is calculated using the attack/decay filter output.

The Automatic Volume Correction works with an internal reference level of  $-18$  dBFS. This means, input signals with a volume level of  $-18$  dBFS will not be affected by the AVC. If the input signals vary in a range of  $-24$  dB to  $0$  dB, the AVC compensates this.

Example: A static input signal of 1 kHz on Scart has an output level as shown in the table below.

Scart Input 0 dBr = 2 Vrms	Volume Correction	Main Output 0 dBr = 1.4 Vrms
0 dBr	$-18$ dB	$-18$ dBr
$-6$ dBr	$-12$ dB	$-18$ dBr
$-12$ dBr	$-6$ dB	$-18$ dBr
$-18$ dBr	$-0$ dB	$-18$ dBr
$-24$ dBr	$+ 6$ dB	$-18$ dBr
$-30$ dBr	$+ 6$ dB	$-24$ dBr
Loudspeaker Volume = $73_{hex}$ = $0$ dBFS Scart Prescale = $20_{hex}$ i.e. $2.0$ Vrms = $0$ dBFS		

To reset the internal variables, the AVC should be switched off and on during any channel or source change. For standard applications, the recommended decay time is 4 sec.

**Note:** AVC should not be used in any Dolby Prologic mode, except PANORAMA, where no other than the loudspeaker output is active.

#### 4.5. DSP Read Registers: Functions and Values

All readable registers are 16-bit wide. Transmissions via I<sup>2</sup>C bus have to take place in 16-bit words. Single data entries are 8 bit. Some of the defined 16-bit words are divided into low and high byte, thus holding two different control entities.

These registers are not writeable.

##### 4.5.1. Quasi-Peak Detector

<b>Quasi-Peak Readout Left</b>	<b>0019<sub>hex</sub></b>	<b>H+L</b>
<b>Quasi-Peak Readout Right</b>	<b>001A<sub>hex</sub></b>	<b>H+L</b>
Quasi peak readout	[0 <sub>hex</sub> ... 7FFF <sub>hex</sub> ] values are 16 bit two's complement	

The quasi peak readout register can be used to read out the quasi peak level of any input source, in order to adjust all inputs to the same normal listening level. The refresh rate is 32 kHz. The feature is based on a filter time constant:

attack-time: 1.3 ms  
decay-time: 37 ms

#### 4.5.2. BSP Hardware Version Code

Hardware Version	001E <sub>hex</sub>	H
Hardware Version	[00 <sub>hex</sub> ... FF <sub>hex</sub> ]	
BSP 3505D – A2	01 <sub>hex</sub>	

A change in the hardware version code defines hardware optimizations that may have influence on the chip's behavior. The readout of this register is identical to the hardware version code in the chip's imprint.

#### 4.5.3. BSP Major Revision Code

Major Revision	001E <sub>hex</sub>	L
BSP 3505D	04 <sub>hex</sub>	

#### 4.5.4. BSP Product Code

Product	001F <sub>hex</sub>	H
BSP 3505D	05 <sub>hex</sub>	

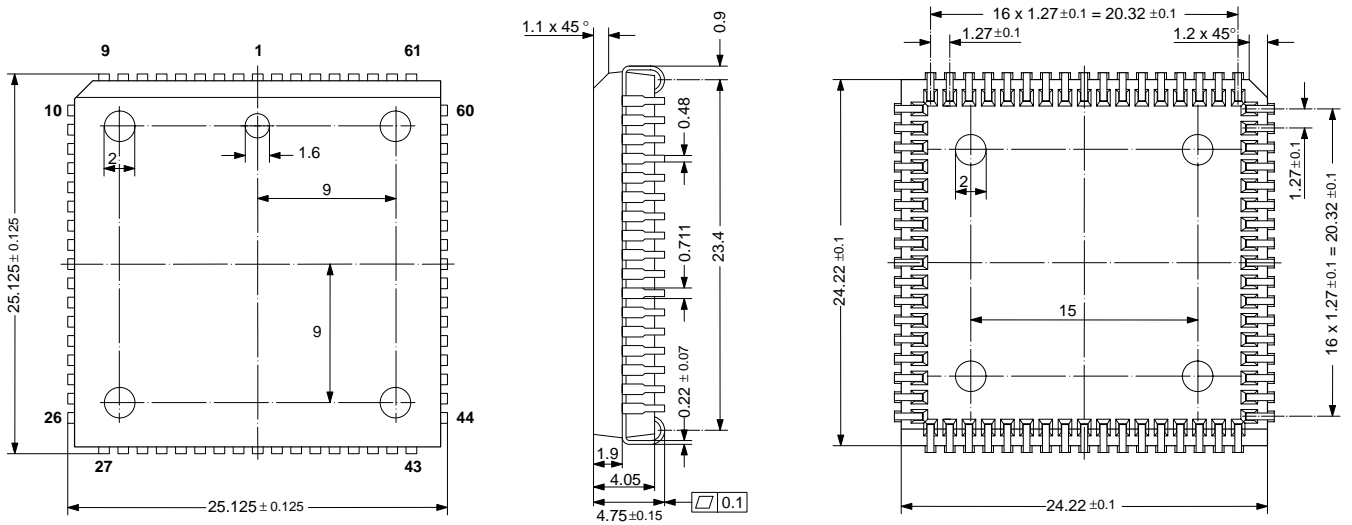
#### 4.5.5. BSP ROM Version Code

ROM Version	001F <sub>hex</sub>	L
Major software revision	[00 <sub>hex</sub> ... FF <sub>hex</sub> ]	
BSP 3505D – A2	02 <sub>hex</sub>	

A change in the ROM version code defines internal software optimizations, that may have influence on the chip's behavior, e.g. new features may have been included. While a software change is intended to create no compatibility problems, customers that want to use the new functions can identify new BSP 3505D versions according to this number.

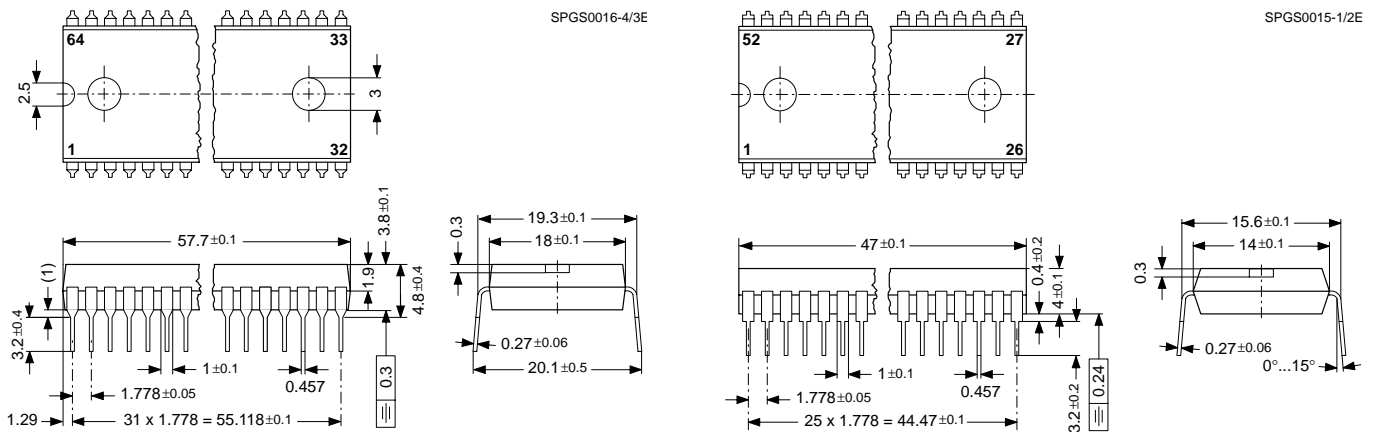
5. Specifications

5.1. Outline Dimensions



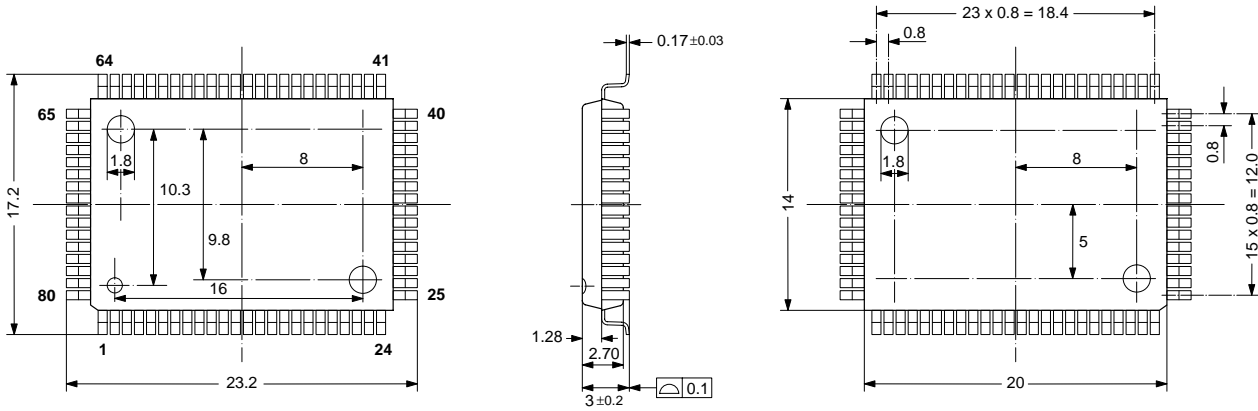
**Fig. 5-1:**  
 68-Pin Plastic Leaded Chip Carrier Package  
**(PLCC68)**  
 Weight approximately 4.8 g  
 Dimensions in mm

SPGS7004-3/5E



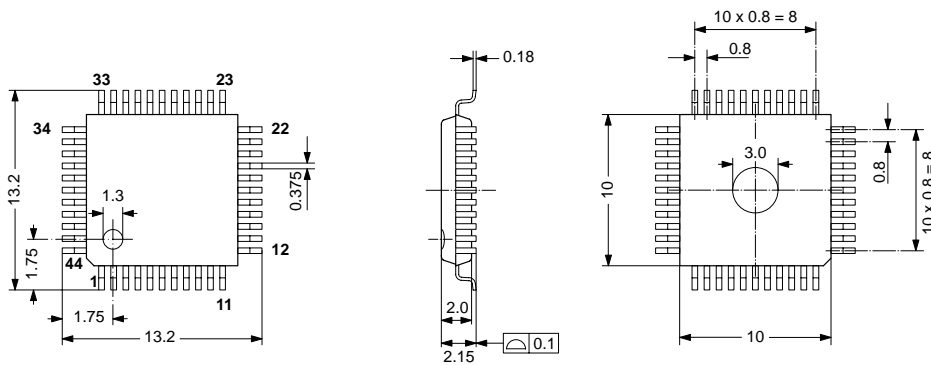
**Fig. 5-2:**  
 64-Pin Plastic Shrink Dual In Line Package  
**(PSDIP64)**  
 Weight approximately 9.0 g  
 Dimensions in mm

**Fig. 5-3:**  
 52-Pin Plastic Shrink Dual In Line Package  
**(PSDIP52)**  
 Weight approximately 5.5 g  
 Dimensions in mm



**Fig. 5-4:**  
 80-Pin Plastic Quad Flat Package  
**(PQFP80)**  
 Weight approximately 1.6 g  
 Dimensions in mm

SPGS0025-1/1E



**Fig. 5-5:**  
 44-Pin Plastic Quad Flat Package  
**(PQFP44)**  
 Weight approx. 0.4 g  
 Dimensions in mm

SPGS0006-1/1E

## 5.2. Pin Connections and Short Descriptions

NC = not connected; leave vacant  
 LV = if not used, leave vacant  
 DVSS: if not used, connect to DVSS

X = obligatory; connect as described in circuit diagram  
 AHVSS: connect to AHVSS

PLCC 68-pin	Pin No.				Pin Name	Type	Connection (if not used)	Short Description
	PSDIP 64-pin	PSDIP 52-pin	PQFP 80-pin	PQFP 44-pin				
1	16	14	9	–	TP	OUT	LV	Test pin
2	–	–	–	–	NC		LV	Not connected
3	15	13	8	–	TP	OUT	LV	Test pin
4	14	12	7	17	TP	IN	LV	Test pin
5	13	11	6	16	TP	OUT	LV	Test pin
6	12	10	5	15	TP	IN/OUT	LV	Test pin
7	11	9	4	14	TP	IN/OUT	LV	Test pin
8	10	8	3	13	I <sup>2</sup> C_DA	IN/OUT	X	I <sup>2</sup> C data
9	9	7	2	12	I <sup>2</sup> C_CL	IN/OUT	X	I <sup>2</sup> C clock
10	8	–	1	–	NC		LV	Not connected
11	7	6	80	11	STANDBYQ	IN	X	Standby (low-active)
12	6	5	79	10	ADR_SEL	IN	X	I <sup>2</sup> C Bus address select
13	5	4	78	9	D_CTR_OUT0	OUT	LV	Digital control output 0
14	4	3	77	8	D_CTR_OUT1	OUT	LV	Digital control output 1
15	3	–	76	–	NC		LV	Not connected
16	2	–	75	–	NC		LV	Not connected
17	–	–	–	–	NC		LV	Not connected
18	1	2	74	–	NC		LV	Not connected
19	64	1	73	7	TP		LV	Test pin
20	63	52	72	6	XTAL_OUT	OUT	X	Crystal oscillator
21	62	51	71	5	XTAL_IN	IN	X	Crystal oscillator
22	61	50	70	4	TESTEN	IN	X	Test pin
23	60	49	69	–	NC		LV	Not connected
24	59	48	68	3	TP	IN	LV	Test pin
25	58	47	67	2	TP	IN	LV	Test pin
26	57	46	66	1	AVSUP		X	Analog power supply +5 V
–	–	–	65	–	AVSUP		X	Analog power supply +5 V
–	–	–	64	–	NC		LV	Not connected
–	–	–	63	–	NC		LV	Not connected

PLCC 68-pin	Pin No.				Pin Name	Type	Connection (if not used)	Short Description
	PSDIP 64-pin	PSDIP 52-pin	PQFP 80-pin	PQFP 44-pin				
27	56	45	62	44	AVSS		X	Analog ground
–	–	–	61	–	AVSS		X	Analog ground
28	55	44	60	43	MONO_IN	IN	LV	Mono input
–	–	–	59	–	NC		LV	Not connected
29	54	43	58	42	VREFTOP		X	Reference voltage
30	53	42	57	41	SC1_IN_R	IN	LV	Scart input 1 in, right
31	52	41	56	40	SC1_IN_L	IN	LV	Scart input 1 in, left
32	51	–	55	39	ASG1		AHVSS	Analog shield ground 1
33	50	40	54	38	SC2_IN_R	IN	LV	Scart input 2 in, right
34	49	39	53	37	SC2_IN_L	IN	LV	Scart input 2 in, left
35	48	–	52	–	TP		LV	Test Pin
36	47	38	51	–	NC		LV	Not connected
37	46	37	50	–	NC		LV	Not connected
38	45	–	49	–	NC		LV	Not connected
39	44	–	48	–	NC		LV	Not connected
40	43	–	47	–	NC		LV	Not connected
41	–	–	46	–	NC		LV	Not connected
42	42	36	45	36	AGNDC		X	Analog reference voltage high voltage part
43	41	35	44	35	AHVSS		X	Analog ground
–	–	–	43	–	AHVSS		X	Analog ground
–	–	–	42	–	NC		LV	Not connected
–	–	–	41	–	NC		LV	Not connected
44	40	34	40	34	CAPL_M		X	Volume capacitor MAIN
45	39	33	39	33	AHVSUP		X	Analog power supply 8.0 V
46	38	32	38	32	NC		LV	Not connected
47	37	31	37	31	SC1_OUT_L	OUT	LV	Scart output 1, left
48	36	30	36	30	SC1_OUT_R	OUT	LV	Scart output 1, right
49	35	29	35	29	VREF1		X	Reference ground 1 high voltage part
50	34	28	34	28	NC		LV	Not connected
51	33	27	33	–	NC		LV	Not connected
52	–	–	32	–	NC		LV	Not connected



PLCC 68-pin	Pin No.				Pin Name	Type	Connection (if not used)	Short Description
	PSDIP 64-pin	PSDIP 52-pin	PQFP 80-pin	PQFP 44-pin				
53	32	–	31	–	NC		LV	Not connected
54	31	26	30	–	NC		LV	Not connected
55	30	–	29	–	NC		LV	Not connected
56	29	25	28	27	DACM_L	OUT	LV	Loudspeaker out, left
57	28	24	27	26	DACM_R	OUT	LV	Loudspeaker out, right
58	27	23	26	25	VREF2		X	Reference ground 2 high voltage part
59	26	22	25	24	NC		LV	Not connected
60	25	21	24	23	NC		LV	Not connected
–	–	–	23	–	NC		LV	Not connected
–	–	–	22	–	NC		LV	Not connected
61	24	20	21	22	RESETQ	IN	X	Power-on-reset
62	23	–	20	–	NC		LV	Not connected
63	22	–	19	–	NC		LV	Not connected
64	21	19	18	21	NC		LV	Not connected
65	20	18	17	–	TP	IN	LV	Test pin
66	19	17	16	–	DVSS		X	Digital ground
–	–	–	15	–	DVSS		X	Digital ground
–	–	–	14	20	DVSS		X	Digital ground
67	18	16	13	19	DVSUP		X	Digital power supply +5 V
–	–	–	12	–	DVSUP		X	Digital power supply +5 V
–	–	–	11	–	DVSUP		X	Digital power supply +5 V
68	17	15	10	18	TP	OUT	LV	Test pin

5.3. Pin Configurations

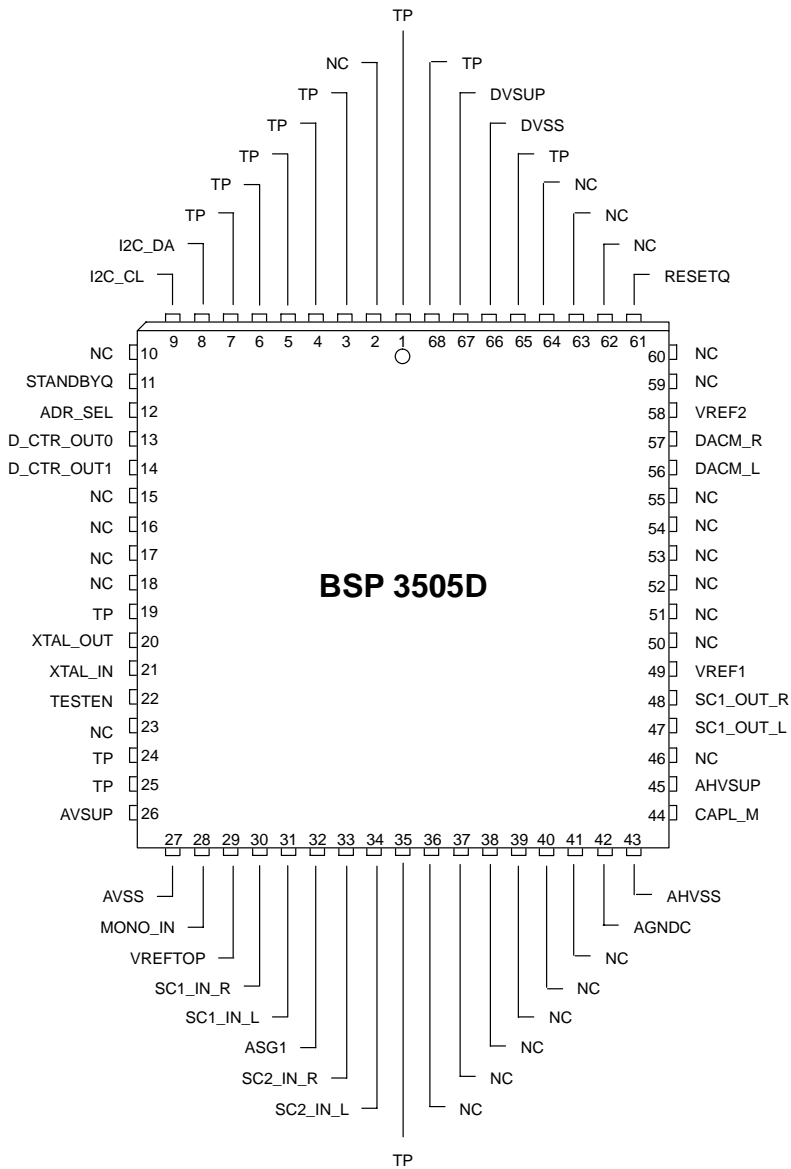


Fig. 5–6: 68-pin PLCC package

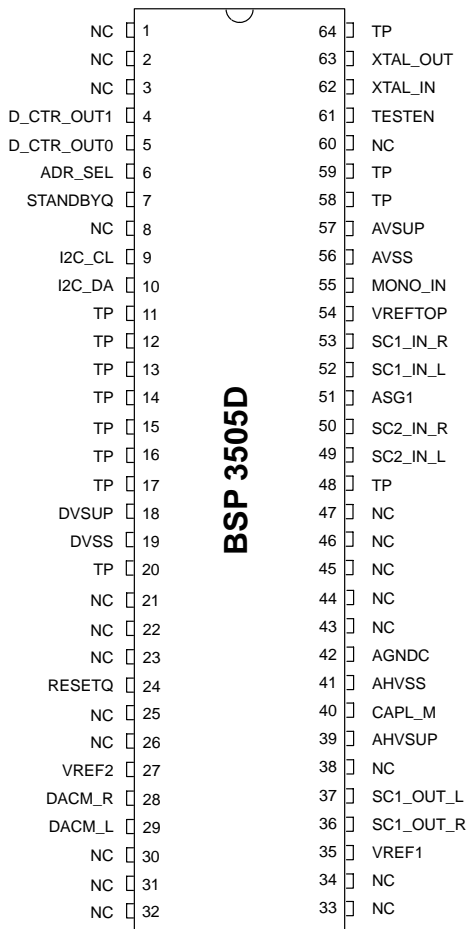


Fig. 5-7: 64-pin PSDIP package

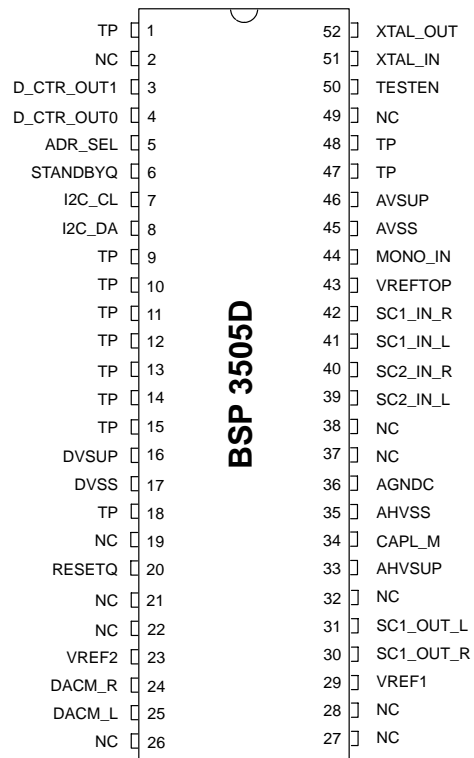


Fig. 5-8: 52-pin PSDIP package

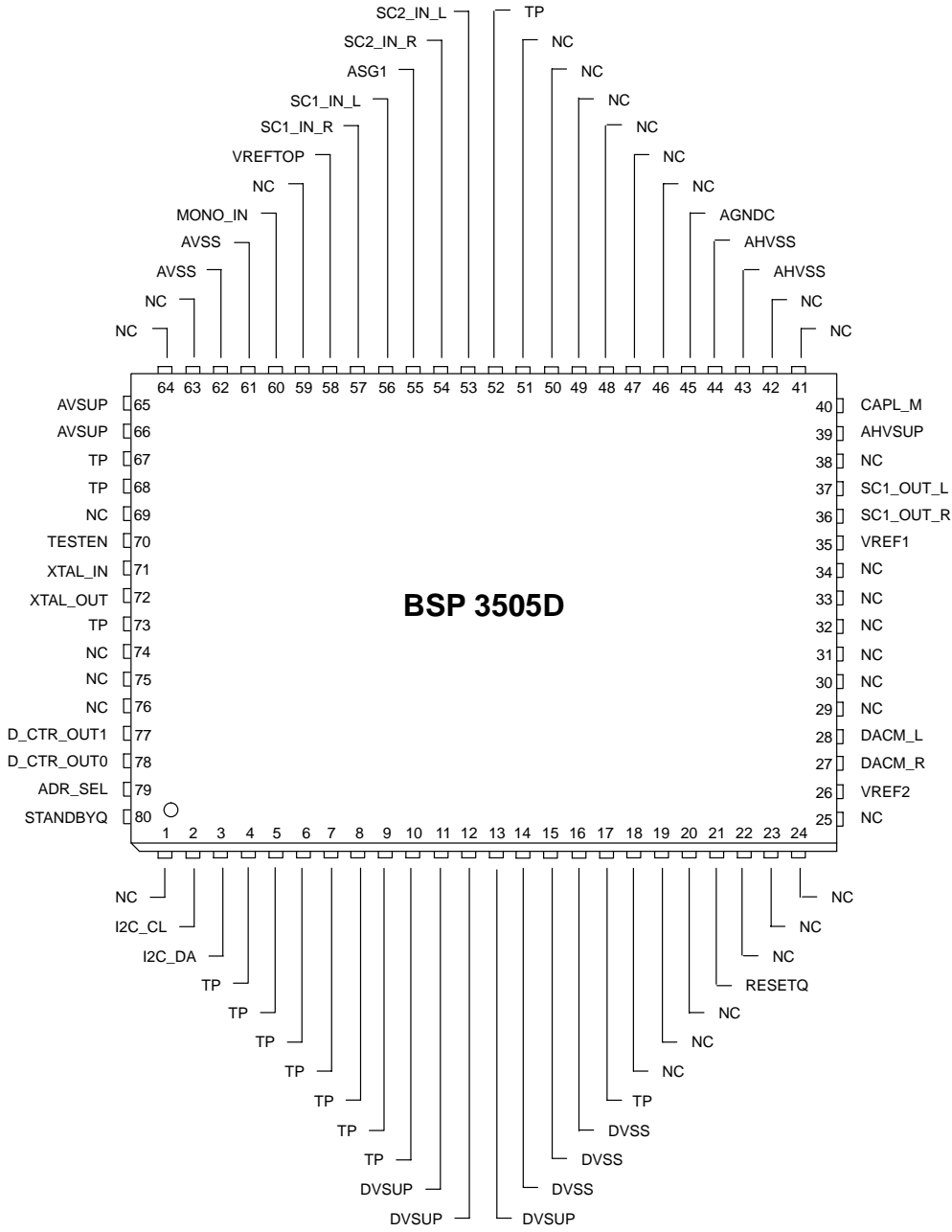
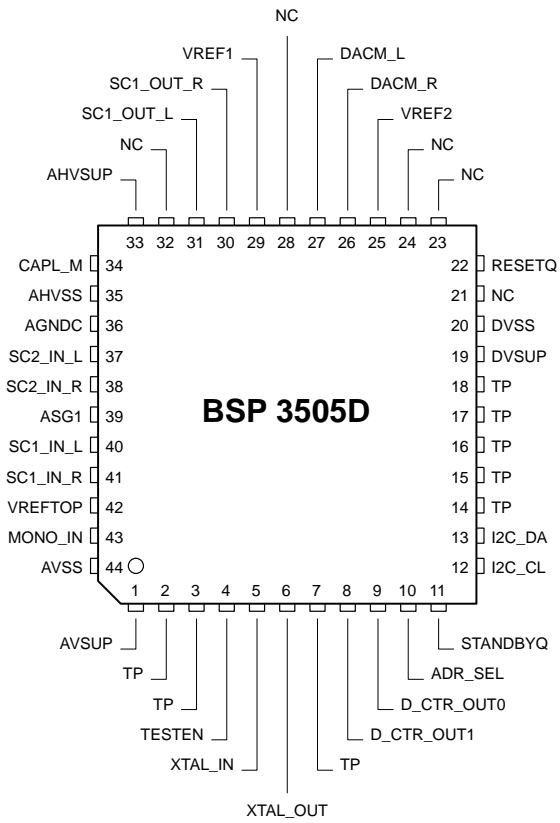
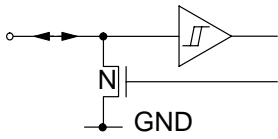


Fig. 5–9: 80-pin PQFP package

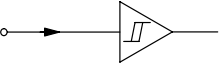


**Fig. 5–10:** 44-pin PQFP package

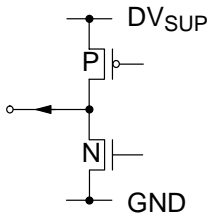
5.4. Pin Circuits (pin numbers refer to PLCC68 package)



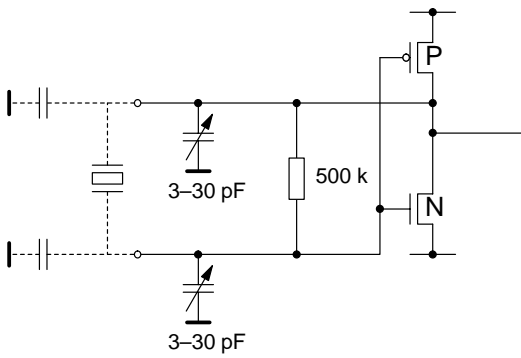
**Fig. 5-11:** Input/Output Pins 8 and 9 (I<sup>2</sup>C\_DA, I<sup>2</sup>C\_CL)



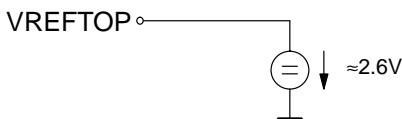
**Fig. 5-12:** Input Pins 11, 12, and 61 (STANDBYQ, ADR\_SEL, RESETQ)



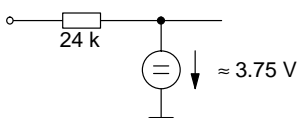
**Fig. 5-13:** Output Pins 13, and 14 (D\_CTR\_OUT0/1)



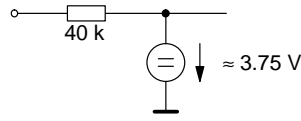
**Fig. 5-14:** Input/Output Pins 20 and 21 (XTALIN/OUT)



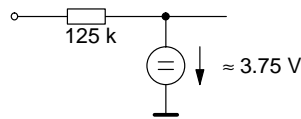
**Fig. 5-15:** Pin 29 (VREFTOP)



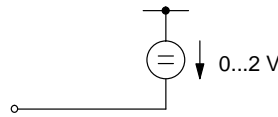
**Fig. 5-16:** Input Pin 28 (MONO\_IN)



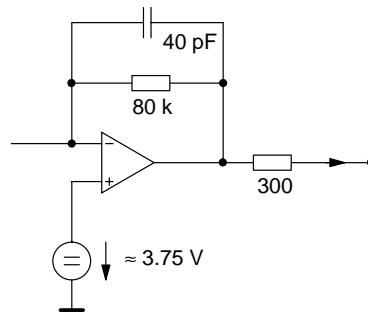
**Fig. 5-17:** Input Pins 30, 31, 33, and 34 (SC1-2\_IN\_L/R)



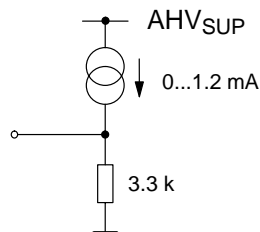
**Fig. 5-18:** Pin 42 (AGNDC)



**Fig. 5-19:** Capacitor Pin 44 (CAPL\_M)



**Fig. 5-20:** Output Pins 47, 48 (SC1\_OUT\_L/R)



**Fig. 5-21:** Output Pins 56, 57 (DACM\_L/R)

## 5.5. Electrical Characteristics

### 5.5.1. Absolute Maximum Ratings

Symbol	Parameter	Pin Name	Min.	Max.	Unit
$T_A$	Ambient Operating Temperature	–	0	70 <sup>1)</sup>	°C
$T_S$	Storage Temperature	–	–40	125	°C
$V_{SUP1}$	First Supply Voltage	AHVSUP	–0.3	9.0	V
$V_{SUP2}$	Second Supply Voltage	DVSUP	–0.3	6.0	V
$V_{SUP3}$	Third Supply Voltage	AVSUP	–0.3	6.0	V
$dV_{SUP23}$	Voltage between AVSUP and DVSUP	AVSUP, DVSUP	–0.5	0.5	V
$P_{TOT}$	Chip Power Dissipation PLCC68 without Heat Spreader PSDIP64 without Heat Spreader PSDIP52 without Heat Spreader PQFP44 without Heat Spreader	AHVSUP, DVSUP, AVSUP		1200 1300 1200 960 <sup>1)</sup>	mW
$V_{Idig}$	Input Voltage, all Digital Inputs		–0.3	$V_{SUP2}+0.3$	V
$I_{Idig}$	Input Current, all Digital Pins	–	–20	+20	mA <sup>2)</sup>
$V_{Iana}$	Input Voltage, all Analog Inputs	SCn_IN_s, <sup>3)</sup> MONO_IN	–0.3	$V_{SUP1}+0.3$	V
$I_{Iana}$	Input Current, all Analog Inputs	SCn_IN_s, <sup>3)</sup> MONO_IN	–5	+5	mA <sup>2)</sup>
$I_{Oana}$	Output Current, all SCART Outputs	SC1_OUT_s	4), 5)	4), 5)	
$I_{Oana}$	Output Current, all Analog Outputs except SCART Outputs	DACM_s <sup>3)</sup>	4)	4)	
$I_{Cana}$	Output Current, other pins connected to capacitors	CAPL_M AGNDC	4)	4)	

1) For PQFP44 package, max. ambient operating temperature is 65 °C.

2) positive value means current flowing into the circuit

3) “n” means “1” or “2”, “s” means “L” or “R”

4) The Analog Outputs are short circuit proof with respect to First Supply Voltage and Ground.

5) Total chip power dissipation must not exceed absolute maximum rating.

Stresses beyond those listed in the “Absolute Maximum Ratings” may cause permanent damage to the device. This is a stress rating only. Functional operation of the device at these or any other conditions beyond those indicated in the “Recommended Operating Conditions/Characteristics” of this specification is not implied. Exposure to absolute maximum ratings conditions for extended periods may affect device reliability.

## 5.5.2. Recommended Operating Conditions

at  $T_A = 0$  to  $70$  °C (65 °C for PQFP44)

Symbol	Parameter	Pin Name	Min.	Typ.	Max.	Unit
$V_{SUP1}$	First Supply Voltage	AHVSUP	7.6	8.0	8.4	V
$V_{SUP2}$	Second Supply Voltage	DVSUP	4.75	5.0	5.25	V
$V_{SUP3}$	Third Supply Voltage	AVSUP	4.75	5.0	5.25	V
$V_{REIL}$	RESET Input High-Low and Low-High Transition Voltage	RESETQ	0.45		0.8	$V_{SUP2}$
$t_{REIL}$	RESET Low Time after DVSUP Stable and Oscillator Startup		5			$\mu$ s
$V_{DIGIL}$	Digital Input Low Voltage	STANDBYQ, ADR_SEL, TESTEN			0.2	$V_{SUP2}$
$V_{DIGIH}$	Digital Input High Voltage		0.8			$V_{SUP2}$
$t_{STBYQ1}$	STANDBYQ Setup Time before Turn-off of Second Supply Voltage	STANDBYQ, DVSUP	1			$\mu$ s
I <sup>2</sup> C-Bus Recommendations						
$V_{I2CIL}$	I <sup>2</sup> C-BUS Input Low Voltage	I <sup>2</sup> C_CL, I <sup>2</sup> C_DA			0.3	$V_{SUP2}$
$V_{I2CIH}$	I <sup>2</sup> C-BUS Input High Voltage		0.6			$V_{SUP2}$
$f_{I2C}$	I <sup>2</sup> C-BUS Frequency	I <sup>2</sup> C_CL			1.0	MHz
$t_{I2C1}$	I <sup>2</sup> C START Condition Setup Time	I <sup>2</sup> C_CL, I <sup>2</sup> C_DA	120			ns
$t_{I2C2}$	I <sup>2</sup> C STOP Condition Setup Time		120			ns
$t_{I2C3}$	I <sup>2</sup> C-Clock Low Pulse Time	I <sup>2</sup> C_CL	500			ns
$t_{I2C4}$	I <sup>2</sup> C-Clock High Pulse Time		500			ns
$t_{I2C5}$	I <sup>2</sup> C-Data Setup Time Before Rising Edge of Clock	I <sup>2</sup> C_CL, I <sup>2</sup> C_DA	55			ns
$t_{I2C6}$	I <sup>2</sup> C-Data Hold Time after Falling Edge of Clock		55			ns
Crystal Recommendations						
$f_p$	Parallel Resonance Frequency at 12 pF Load Capacitance			18.432		MHz
$f_{TOL}$	Accuracy of Adjustment		-100		+100	ppm
$D_{TEM}$	Frequency Variation versus Temperature		-50		+50	ppm
$R_R$	Series Resistance			8	25	$\Omega$
$C_0$	Shunt (Parallel) Capacitance			6.2	7.0	pF



Symbol	Parameter	Pin Name	Min.	Typ.	Max.	Unit
Load Capacitance Recommendations						
$C_L$	External Load Capacitance <sup>1)</sup>	XTAL_IN, XTAL_OUT	PSDIP PLCC	1.5 3.3		pF pF
Amplitude Recommendation for Operation with External Clock Input ( $C_{load}$ after reset = 22 pF)						
$V_{XCA}$	External Clock Amplitude	XTAL_IN	0.7			$V_{pp}$
Analog Input and Output Recommendations						
$C_{AGNDC}$	AGNDC-Filter-Capacitor	AGNDC	-20%	3.3		$\mu F$
	Ceramic Capacitor in Parallel		-20%	100		nF
$C_{inSC}$	DC-Decoupling Capacitor in front of SCART Inputs	$SCn\_IN\_s^{2)}$	-20%	330	+20%	nF
$V_{inSC}$	SCART Input Level				2.0	$V_{RMS}$
$V_{inMONO}$	Input Level, Mono Input	MONO_IN			2.0	$V_{RMS}$
$R_{LSC}$	SCART Load Resistance	$SC1\_OUT\_s^{2)}$	10			$k\Omega$
$C_{LSC}$	SCART Load Capacitance				6.0	nF
$C_{VMA}$	Main Volume Capacitor	CAPL_M		10		$\mu F$
$C_{FMA}$	Main Filter Capacitor	DACM_s <sup>2)</sup>	-10%	1	+10%	nF
Recommendations for Reference Voltage Pin						
$C_{VREFTOP}$	VREFTOP-Filter-Capacitor	VREFTOP	-20%	10		$\mu F$
	Ceramic Capacitor in Parallel		-20%	100		nF
<p>1) External capacitors at each crystal pin to ground are required. The higher the capacitors, the lower the clock frequency results. The nominal free running frequency should match 18.432 MHz as closely as possible. Due to different layouts of customer PCBs, the matching capacitor size should be defined in the application. The suggested values (1.5 pF/3.3 pF) are figures based on experience with various PCB layouts.</p> <p>2) "n" means "1" or "2", "s" means "L" or "R"</p>						

5.5.3. Characteristics

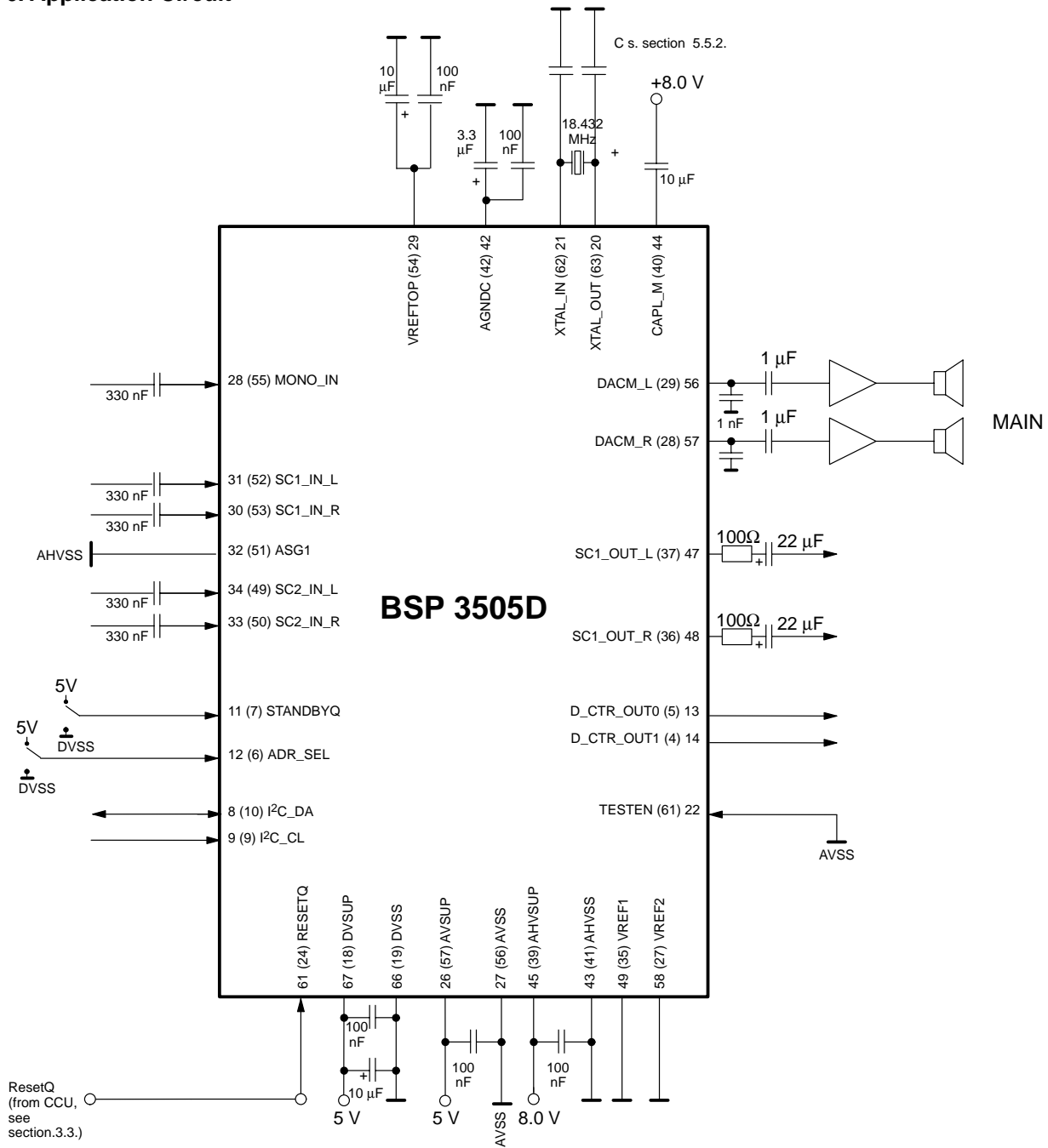
at  $T_A = 0$  to  $70$  °C (65 °C for PQFP44),  $f_{\text{CLOCK}} = 18.432$  MHz,  
 $V_{\text{SUP1}} = 7.6$  to  $8.4$  V,  $V_{\text{SUP2}} = 4.75$  to  $5.25$  V for min./max. values  
 at  $T_A = 60$  °C,  $f_{\text{CLOCK}} = 18.432$  MHz,  $V_{\text{SUP1}} = 8$  V,  $V_{\text{SUP2}} = 5$  V for typical values,  $T_J =$  Junction Temperature  
 MAIN (M) = Loudspeaker Channel, AUX (A) = Headphone Channel

Symbol	Parameter	Pin Name	Min.	Typ.	Max.	Unit	Test Conditions
$f_{\text{CLOCK}}$	Clock Input Frequency	XTAL_IN		18.432		MHz	
$D_{\text{CLOCK}}$	Clock High to Low Ratio		45		55	%	
$t_{\text{JITTER}}$	Clock Jitter (Verification not provided in Production test)				50	ps	
$V_{\text{xtalDC}}$	DC-Voltage Oscillator			2.5		V	
$t_{\text{Startup}}$	Oscillator Startup Time at VDD Slew-rate of 1 V/1 $\mu$ s	XTAL_IN, XTAL_OUT		0.4	2	ms	
$I_{\text{SUP1A}}$	First Supply Current (active) Analog Volume for Main and Aux at 0dB Analog Volume for Main and Aux at -30dB	AHVSUP	9.6 6.3	17.1 11.2	24.6 16.1	mA mA	
$I_{\text{SUP2A}}$	Second Supply Current (active)	DVSUP	86	95	102	mA	
$I_{\text{SUP3A}}$	Third Supply Current (active)	AVSUP	15	25	35	mA	
$I_{\text{SUP1S}}$	First Supply Current (standby mode) at $T_j = 27$ °C	AHVSUP	3.5	5.6	7.7	mA	STANDBYQ = low
$V_{\text{I2COL}}$	I <sup>2</sup> C-Data Output Low Voltage	I <sup>2</sup> C_DA			0.4	V	$I_{\text{I2COL}} = 3$ mA
$I_{\text{I2COH}}$	I <sup>2</sup> C-Data Output High Current				1.0	$\mu$ A	$V_{\text{I2COH}} = 5$ V
$t_{\text{I2COL1}}$	I <sup>2</sup> C-Data Output Hold Time after Falling Edge of Clock	I <sup>2</sup> C_DA, I <sup>2</sup> C_CL	15			ns	
$t_{\text{I2COL2}}$	I <sup>2</sup> C-Data Output Setup Time before Rising Edge of Clock		100			ns	$f_{\text{I2C}} = 1$ MHz
Analog Ground							
$V_{\text{AGNDC0}}$	AGNDC Open Circuit Voltage	AGNDC	3.63	3.73	3.83	V	$R_{\text{load}} \geq 10$ M $\Omega$
$R_{\text{outAGN}}$	AGNDC Output Resistance		70	125	180	k $\Omega$	$3$ V $\leq V_{\text{AGNDC}} \leq 4$ V
Analog Input Resistance							
$R_{\text{inSC}}$	SCART Input Resistance from $T_A = 0$ to $70$ °C	SCn_IN_s <sup>1)</sup>	25	40	58	k $\Omega$	$f_{\text{signal}} = 1$ kHz, $I = 0.05$ mA
$R_{\text{inMONO}}$	MONO Input Resistance from $T_A = 0$ to $70$ °C	MONO_IN	15	24	35	k $\Omega$	$f_{\text{signal}} = 1$ kHz, $I = 0.1$ mA
Audio Analog-to-Digital-Converter							
$V_{\text{AICL}}$	Effective Analog Input Clipping Level for Analog-to-Digital-Conversion	SCn_IN_s <sup>1)</sup> MONO_IN	2.00		2.25	V <sub>RMS</sub>	$f_{\text{signal}} = 1$ kHz
1) "n" means "1", or "2"; "s" means "L" or "R"							

Symbol	Parameter	Pin Name	Min.	Typ.	Max.	Unit	Test Conditions
SCART Outputs							
R <sub>outSC</sub>	SCART Output Resistance at T <sub>j</sub> = 27 °C from T <sub>A</sub> = 0 to 70 °C	SC1_OUT_s <sup>1)</sup>	200 200	330	460 500	Ω Ω	f <sub>signal</sub> = 1 kHz, I = 0.1 mA
dV <sub>OUTSC</sub>	Deviation of DC-Level at SCART Output from AGNDC Voltage		-70		+70	mV	
A <sub>SCtoSC</sub>	Gain from Analog Input to SCART Output	SCn_IN_s <sup>1)</sup> MONO_IN → SC1_OUT_s <sup>1)</sup>	-1.0		+0.5	dB	f <sub>signal</sub> = 1 kHz
f <sub>rSCtoSC</sub>	Frequency Response from Analog Input to SCART Output bandwidth: 0 to 20000 Hz		-0.5		+0.5	dB	with resp. to 1 kHz
V <sub>outSC</sub>	Effective Signal Level at SCART- Output during full-scale digital in- put signal from DSP	SC1_OUT_s <sup>1)</sup>	1.8	1.9	2.0	V <sub>RMS</sub>	f <sub>signal</sub> = 1 kHz
Main Outputs							
R <sub>outMA</sub>	Main Output Resistance at T <sub>j</sub> = 27 °C from T <sub>A</sub> = 0 to 70 °C	DACM_s <sup>1)</sup>	2.1 2.1	3.3	4.6 5.0	kΩ kΩ	f <sub>signal</sub> = 1 kHz, I = 0.1 mA
V <sub>outDCMA</sub>	DC-Level at Main-Output for Analog Volume at 0 dB for Analog Volume at -30 dB		1.8	2.04 61	2.28	V mV	
V <sub>outMA</sub>	Effective Signal Level at Main-Out- put during full-scale digital input signal from DSP for Analog Vol- ume at 0 dB		1.23	1.37	1.51	V <sub>RMS</sub>	f <sub>signal</sub> = 1 kHz
Analog Performance							
SNR	Signal-to-Noise Ratio						
	from Analog Input to SCART Output	MONO_IN, SCn_IN_s <sup>1)</sup> → SC1_OUT_s <sup>1)</sup>	93	96		dB	Input Level = -20 dB, f <sub>sig</sub> = 1 kHz, equally weighted 20 Hz ... 20 kHz
THD	Total Harmonic Distortion						
	from Analog Input to SCART Output	MONO_IN, SCn_IN_s <sup>1)</sup> → SC1_OUT_s <sup>1)</sup>		0.01	0.03	%	Input Level = -3 dBr, f <sub>sig</sub> = 1 kHz, equally weighted 20 Hz ... 20 kHz
1) "n" means "1" or "2"; "s" means "L" or "R"							

Symbol	Parameter	Pin Name	Min.	Typ.	Max.	Unit	Test Conditions
XTALK	Crosstalk attenuation – PLCC68 – PSDIP64						Input Level = –3 dB, $f_{sig} = 1$ kHz, unused ana- log inputs connected to ground by $Z < 1$ k $\Omega$
	between left and right channel within SCART Input/Output pair (L→R, R→L)  SC <sub>n</sub> _IN <sup>1)</sup> → SC1_OUT	PLCC68 PSDIP64	80 80			dB dB	equally weighted 20 Hz...20 kHz
PSRR: rejection of noise on AHVSUP at 1 kHz							
	AGNDC	AGNDC		80		dB	
	From Analog Input to SCART Output	MONO_IN, SC <sub>n</sub> _IN_s <sup>1)</sup> SC1_OUT_s <sup>1)</sup>		70		dB	
DC <sub>VREFTOP</sub>	DC voltage at VREFTOP	VREFTOP	2.4	2.6	2.7	V	
1) "n" means "1" or "2"; "s" means "L" or "R"							

6. Application Circuit



**Note:** Pin numbers refer to the PLCC68 package, numbers in brackets refer to the PSDIP64 package.

**Application Note:**

All ground pins should be connected to one low-resistive ground plane.

All supply pins should be connected separately with short and low-resistive lines to the power supply.

Decoupling capacitors from DVSUP to DVSS, AVSUP to AVSS, and AHVSUP to AHVSS are recommended as close as possible to these pins. Decoupling of DVSUP and DVSS is most important. We recommend using

more than one capacitor. By choosing different values, the frequency range of active decoupling can be extended. In our application boards we use: 220 pF, 470 pF, 1.5 nF, and 10 μF. The capacitor with lowest value should be placed nearest to the DVSUP and DVSS pins.

The ASG1 pin should be connected as closely as possible to the MSP to ground. If it is lead with the SC1 input-lines as shielding line, it should NOT be conneted to ground at the SCART connector.





## 7. Appendix A: BSP 3505D Version History

### A2

First hardware release BSP 3505D

## 8. Data Sheet History

1. Preliminary Data Sheet: "BSP 3505D Baseband Sound Processor", Oct. 21, 1998, 6251-481-1PD.  
First release of the preliminary data sheet.

Micronas GmbH  
Hans-Bunte-Strasse 19  
D-79108 Freiburg (Germany)  
P.O. Box 840  
D-79008 Freiburg (Germany)  
Tel. +49-761-517-0  
Fax +49-761-517-2174  
E-mail: docservice@micronas.com  
Internet: www.micronas.com

Printed in Germany  
Order No. 6251-481-1PD

All information and data contained in this data sheet are without any commitment, are not to be considered as an offer for conclusion of a contract, nor shall they be construed as to create any liability. Any new issue of this data sheet invalidates previous issues. Product availability and delivery are exclusively subject to our respective order confirmation form; the same applies to orders based on development samples delivered. By this publication, Micronas GmbH does not assume responsibility for patent infringements or other rights of third parties which may result from its use.

Further, Micronas GmbH reserves the right to revise this publication and to make changes to its content, at any time, without obligation to notify any person or entity of such revisions or changes.

No part of this publication may be reproduced, photocopied, stored on a retrieval system, or transmitted without the express written consent of Micronas GmbH.